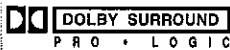


Service Manual

AV Control Stereo Receiver

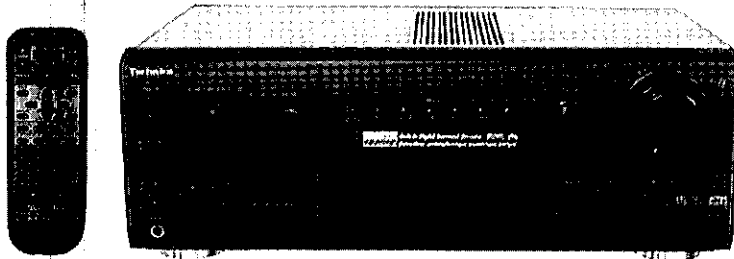
Receiver



SA-DX930

Colour

(K) ... Black Type


Area

Suffix for Model No.	Area	Colour
(E)	Europe	(K)
(EB)	Great Britain	
(EG)	Germany & Italy	

Manufactured under license from Dolby Laboratories Licensing Corporation. "Dolby", the double-D symbol and "PRO LOGIC" are trade marks of Dolby Laboratories Licensing Corporation.

This product is manufactured under licence from DTS, Inc. of America.

Specifications

AMPLIFIER SECTION

Power output		Frequency response	
DIN 1 kHz (T.H.D. 1%)	2 X 100 W (6Ω)	PHONO	RIAA standard curve ± 0.8 dB
20 Hz - 20 kHz continuous power output		CD, TAPE, DVD, VCR, TV	10 Hz - 70 kHz, ± 3 dB
both channels driven	2 X 80 W (6Ω)	Input sensitivity and Impedance	
Total harmonic distortion		PHONO	3 mV / 47 kΩ
Rated power at 20 Hz - 20 kHz	0.05% (6Ω)	CD, TAPE, DVD, VCR, TV	200 mV / 22 kΩ
Half power at 1 kHz	0.03% (6Ω)	S/N at rated power (6Ω)	
Power output at the Dolby Pro Logic operation		PHONO	70 dB (IHF, A : 80 dB)
DIN 1 kHz (T.H.D. 1%)		CD, TAPE, DVD, VCR, TV	75 dB (IHF, A : 85 dB)
Front	2 X 100 W (6Ω)	Tone controls	
Center	100 W (6Ω)	BASS	50 Hz, +10 to -10 dB
Surround	2 X 100 W (6Ω)	TREBLE	20 kHz, +10 to -10 dB
Power bandwidth		Output voltage	
both channel driven, -3 dB	10 Hz - 40 kHz (6Ω)	TAPE REC (OUT), VCR OUT	200 mV
Damping factor	30 (6Ω)	Channel balance (250 Hz - 6.3 kHz)	± 1 dB
Load Impedance		Channel separation	55 dB
Front		Headphones output level and Impedance	430 mV / 300 Ω
A or B	4 - 16 Ω	Sub-Woofer frequency response	7 - 100 Hz, ±3 dB
A and B	8 - 16 Ω		
Center	6 - 16 Ω		
Surround	6 - 16 Ω		

Digital input

Optical

CD, DVD

WARNING

This service information is designed for experienced repair technicians only and is not designed for use by the general public. It does not contain warnings or cautions to advise non-technical individuals of potential dangers in attempting to service a product. Products powered by electricity should be serviced or repaired only by experienced professional technicians. Any attempt to service or repair the product or products dealt with in this service information by anyone else could result in serious injury or death.

Technics®

© 1999 Matsushita Electronics (S) Pte. Ltd.
All rights reserved. Unauthorized copying
and distribution is a violation of law.

FM TUNER SECTION

Frequency range	87.50 — 108.00 MHz
Sensitivity	
S/N 30 dB	1.5 μ V / 75 Ω
S/N 26 dB	1.3 μ V / 75 Ω
S/N 20 dB	1.2 μ V / 75 Ω
IHF usable sensitivity (IHF'58)	1.5 μ V / 75 Ω
IHF 46 dB stereo quieting sensitivity	22 μ V / 75 Ω
Total harmonic distortion	
MONO	0.2%
STEREO	0.3%
S/N	
MONO	60 dB (73 dB, IHF)
STEREO	58 dB (67 dB, IHF)
Frequency response 20 Hz - 15 kHz	+1dB, -2dB
Alternate channel selectivity \pm 400 dB	65 dB
Capture ratio	1.5 dB
Image rejection at 98 MHz	40 dB
IF rejection at 98 MHz	70 dB
Spurious response rejection at 98 MHz	70 dB
AM suppression	50 dB
Stereo separation	
1 kHz	40 dB
Carrier leak	
19 kHz	-30 dB (-35 dB, IHF)
38 kHz	-50 dB (-55 dB, IHF)
Channel balance (250 Hz - 6.3 kHz)	\pm 1.5 dB
Limiting point	1.2 μ V

Bandwidth

IF amplifier	180 kHz
FM demodulator	1000 kHz
Antenna terminal	75 Ω (unbalanced)

AM TUNER SECTION

Frequency range	522 — 1611 kHz (9 kHz steps) 530 — 1620 kHz (10 kHz steps)
Sensitivity	20 μ V, 330 μ V/m
Selectivity (at 999 kHz)	55 dB
IF rejection (at 999 kHz)	50 dB

VIDEO SECTION

Output voltage at 1 V input	(unbalanced)	1 \pm 0.1 Vp-p
Maximum input voltage		1.5 Vp-p
Input/output impedance		75 Ω (unbalanced)

GENERAL

Power consumption	240 W (In standby condition : 2 W)
Power supply	AC 230 - 240 V, 50 Hz
Dimensions (W x H x D)	430 x 158 x 324.5 mm
Weight	9.6 kg

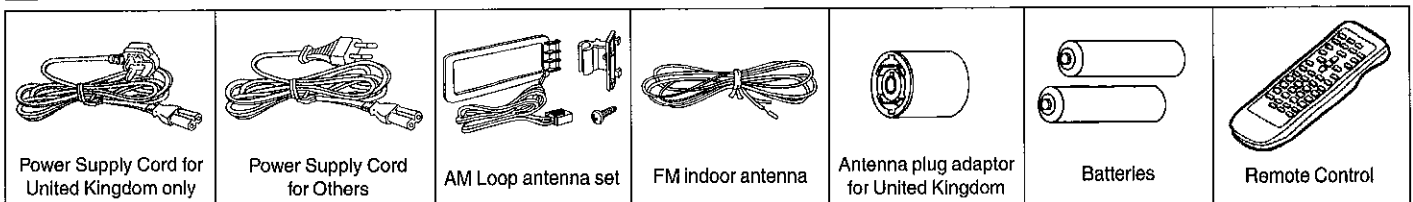
Notes :

1. Specifications are subject to change without notice. Weight and dimensions are approximate.
2. Total harmonic distortion is measured by the digital spectrum analyzer.

Contents

	PAGE		PAGE
• Accessories	2	• Type Illustration of IC's Transistors and Diodes	16
• Before Repair & Adjustment / Protection Circuitry	2	• Wiring Connection Diagram	17
• Caution for AC mains lead	3	• Block Diagram	18 ~ 23
• Front Panel Controls	4	• Schematic Diagram	24 ~ 41
• Preparatory Steps	5	• Printed Circuit Board	42 ~ 50
• Basic Operations	6	• Cabinet Parts Locations	51
• Digital Signal Processor	7 ~ 9	• Replacement Parts List	52 ~ 55
• Making A Recording & Using the Remote Control	10	• Resistors & Capacitors	56 ~ 62
• Operations Checks	11 ~ 14	• Packing Materials & Accessories	63
• Terminal Functions of IC's	15	• Packaging	63

Accessories



Before Repair and Adjustment

Disconnect AC power, discharge Power Supply Capacitors C703, C704, C705 and C706 through a 10 Ω , 5W resistor to ground. DO NOT SHORT-CIRCUIT DIRECTLY (with a screwdriver blade, for instance), as this may destroy solid state devices. After repairs are completed, restore power gradually using a variac, to avoid overcurrent. Current consumption at AC 230-240 V, 50Hz in NO SIGNAL mode should be 300 ~ 400 mA.

Protection Circuitry

The protection circuitry may have operated if either of the following conditions are noticed :

- No sound is heard when the power is turned on.
- Sound stops during a performance.

The function of this circuitry is to prevent circuitry damage if, for example, the positive and negative speaker connection wires are "shorted", or if speaker systems with an impedance less than the indicated rated impedance of the amplifier are used.

If this occurs, follow the procedure outlines below:

1. Turn off the power.
2. Determine the cause of the problem and correct it.
3. Turn on the power once again after one minute.

Note:

When the protection circuitry functions, the unit will not operate unless the power is first turned off and then on again.

■ Caution for AC Mains Lead



(For "EB" area code model only.)

For your safety, please read the following text carefully.

This appliance is supplied with a moulded three pin mains plug for your safety and convenience.

A 5-ampere fuse is fitted in this plug.

Should the fuse need to be replaced please ensure that the replacement fuse has a rating of 5-ampere and that it is approved by ASTA or BSI to BS1362.

Check for the ASTA mark  or the BSI mark  on the body of the fuse.

If the plug contains a removable fuse cover you must ensure that it is refitted when the fuse is replaced.

If you lose the fuse cover, the plug must not be used until a replacement cover is obtained.

A replacement fuse cover can be purchased from your local dealer.

CAUTION !

IF THE FITTED MOULDED PLUG IS UNSUITABLE FOR THE SOCKET OUTLET IN YOUR HOME THEN THE FUSE SHOULD BE REMOVED AND THE PLUG CUT OFF AND DISPOSED OFF SAFELY.

THERE IS A DANGER OF SEVERE ELECTRICAL SHOCK IF THE CUT OFF PLUG IS INSERTED INTO ANY 13-AMPERE SOCKET.

If a new plug is to be fitted, please observe the wiring code as shown below.

If in any doubt please consult a qualified electrician.

IMPORTANT

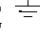
The wires in this mains lead are coloured in accordance with the following code:

Blue: Neutral
Brown: Live

As these colours may not correspond with the coloured markings identifying the terminals in your plug, proceed as follows:

The wire which is coloured Blue must be connected to the terminal which is marked with the letter N or coloured Black or Blue.

The wire which is coloured Brown must be connected to the terminal which is marked with the letter L or coloured Brown or Red.

WARNING: DO NOT CONNECT EITHER WIRE TO THE EARTH TERMINAL WHICH IS MARKED WITH THE LETTER E, BY THE EARTH SYMBOL  OR COLOURED GREEN OR GREEN/YELLOW.

THIS PLUG IS NOT WATERPROOF—KEEP DRY.

Before use

Remove the connector cover.

How to replace the fuse

The location of the fuse differ according to the type of AC mains plug (figures A and B). Confirm the AC mains plug fitted and follow the instructions below.

Illustrations may differ from actual AC mains plug.

1. Open the fuse cover with a screwdriver.

Figure A

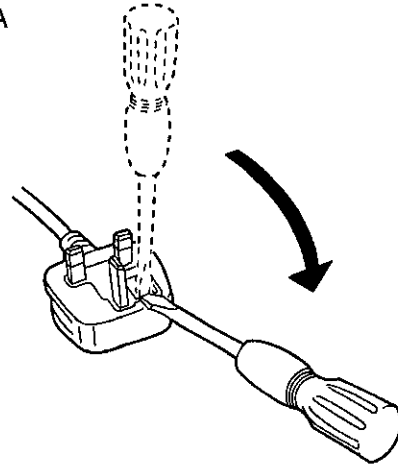
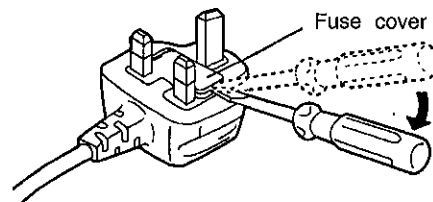


Figure B



2. Replace the fuse and close or attach the fuse cover.

Figure A

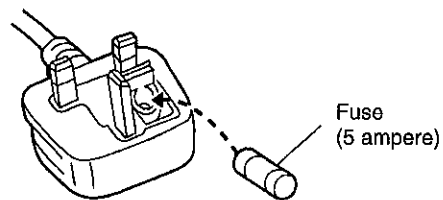
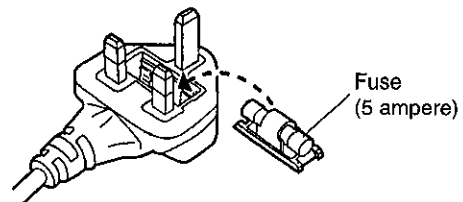
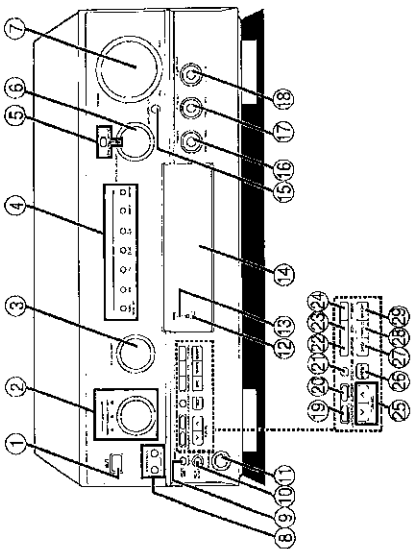


Figure B



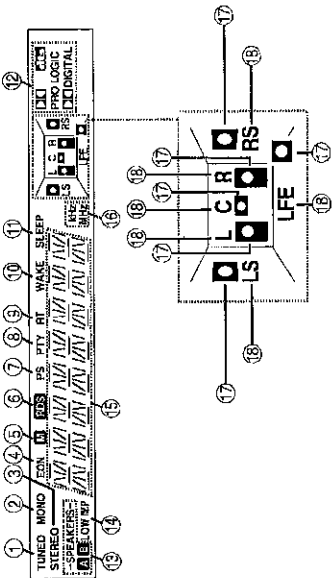
Front Panel Controls



Main unit	
No.	Name
1	Standby/on switch (⏻/⏻)

Press to switch the unit from on to standby mode or vice versa.
In standby mode, the unit is still consuming a small amount of power.

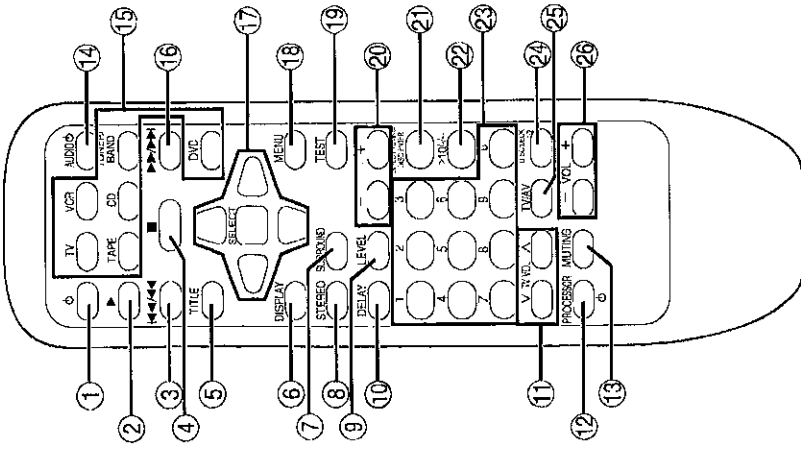
- 2 DSP mode selector (DSP)
 - 3 PTY selector (PTY SELECTOR)
 - 4 Input indicator
 - 5 Digital input select button/indicator (DIGITAL INPUT)
 - 6 Input selector (INPUT SELECTOR)
 - 7 Volume control (VOLUME)
 - 8 Speaker select buttons (A SPEAKERS B)
 - 9 Timer button (TIMER, -MODE, -TIME)
 - 10 Help/reset button (HELP, -RESET)
 - 11 Headphones jack (PHONES)
 - 12 Standby indicator (⏻)
- When the unit is connected to the AC mains supply, this indicator lights up in standby mode and goes out when the unit is turned on.
- 13 Wake indicator (WAKE)
 - 14 Display section
 - 15 Tape monitor button (TAPE MONITOR)
 - 16 Bass control (BASS)
 - 17 Treble control (TREBLE)
 - 18 Balance control (BALANCE)
 - 19 Digital signal processor on/defer button (-DSP ON/DEFAT)
 - 20 Subwoofer button (SUBWOOFER)
 - 21 DVD 6CH INPUT select button (DVD 6CH INPUT)
 - 22 RDS display mode select button (DISPLAY MODE)
 - 23 EON button (EON)
 - 24 PTY search button (PTY SEARCH)
 - 25 Tuning buttons (TUNING V, ^)
 - 26 Preset channel button (PRESET)
 - 27 Band select button (BAND)
 - 28 FM mode select button (FM MODE)
 - 29 Memory button (MEMORY)



Display section	
No.	Name
1	Tuned indicator (TUNED)
2	Monaural indicator (MONO)
3	Stereo indicator (STEREO)
4	EON indicator (EON)
5	Memory indicator (M)
6	RDS indicator (RDS)
7	PS indicator (PS)
8	PTY indicator (PTY)
9	RT indicator (RT)
10	Wake indicator (WAKE)
11	Sleep indicator (SLEEP)
12	Surround format indicators (L, C, R, LS, RS, LFE)
13	Front speaker indicator (-SPEAKERS-)
14	Low impedance indicator (LOW IMP)
15	Display
16	Frequency unit indicator (kHz, MHz)
17	Speaker indicators
18	Signal format indicators (L, C, R, LS, RS, LFE)

These indicators light up to indicate each input signal format.
L: Front channel (left)
C: Center channel
R: Front channel (right)
LS: Surround channel (left)
RS: Surround channel (right)

- 19 "LFE" (Low-Frequency Effect) is a channel for the deep-bass effect in the low frequency range.
- 15 >>>/<<< button (>>>/<<<)
- 16 Cursor/select buttons
- 17 Menu button (MENU)
- 18 Test button (TEST)
- 19 Delay time/level adjust buttons (-, +)
- 20 Direct tuning/disc enter button (DIRECT TUNING/DISC ENTER)
- 21 ≥10/- button (≥10/-)
- 22 Numeric buttons
- 23 Disc/deck 1/2 select button (DISC/DECK 1/2)
- 24 TV/AV select button (TV/AV)
- 25 Volume buttons (-VOL+)



Remote control	
No.	Name
1	Standby/on button (⏻)
2	> button (▶)
3	<</>> button (<<</>>>)
4	■ button (■)
5	Title button (TITLE)
6	Display button (DISPLAY)
7	Surround mode select button (SURROUND)
8	Stereo mode select button (STEREO)
9	Speaker channel select button (LEVEL)
10	Delay time button (DELAY)
11	TV volume buttons (V TV VOL ^)
12	Processor standby/on button (PROCESSOR ⏻)
13	Muting button (MUTING)
14	Audio standby button (AUDIO ⏻)
15	Input select buttons (TV, VCR, TAPE, CD, TUNER/BAND, DVD)

The pages referred to on this page are in the booklet "How to use the remote control transmitter." The page numbers in boxes (eg. 28) refer to pages in this manual.

Preparatory Steps

Speaker settings

These settings should be done to get the most from the unit's reproduction modes.

Front, center, and surround channel settings

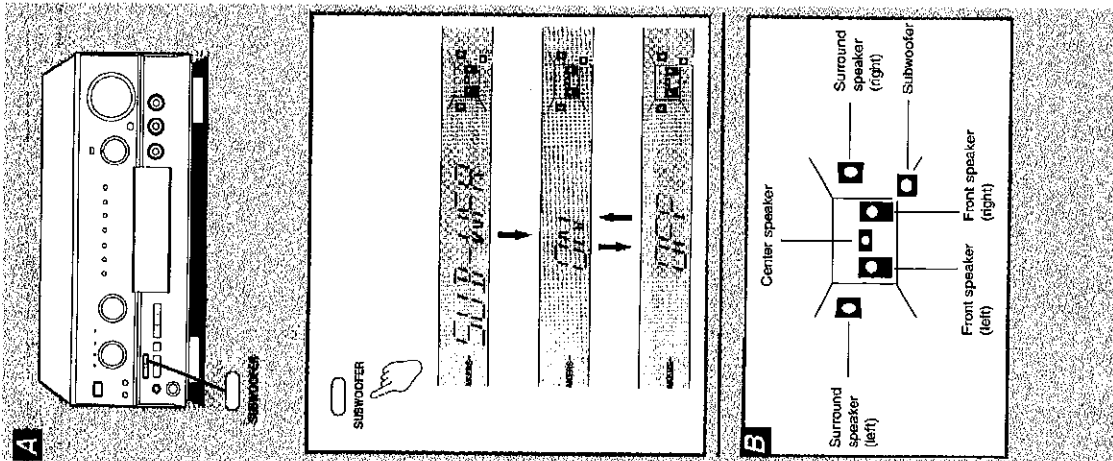
Set the type (LARGE or SMALL) and presence of your speakers. Select "LARGE" if the speakers can produce bass (below around 100 Hz). Select "SMALL" if the speakers cannot produce bass. If you aren't using center or surround speakers select "NONE" so the sound is produced through the front speakers.

Before proceeding:

The speaker channels are all set to "LARGE" before shipping. If all your speakers are LARGE, you may skip this operation.

- 1 Press [POWER].
- 2 Press [A] and [B] at the same time. "SETTING" appears on the display and then changes to "FRONT."
- 3 Press [B] to set the type of front speakers, "LARGE" or "SMALL." Each time the button is pressed the display switches as follows.
- 4 Press [A] to select "CENTER."
- 5 Press [B] to select the type or presence of the center speaker. Each time the button is pressed the display switches as follows.
- 6 Press [A] to select "SURROUND."
- 7 Press [B] to select the type or presence of the surround speakers. Each time the button is pressed the display switches as follows.
- 8 Press [A] to select "COMPLETE." The settings are now entered into the unit's memory. The previous display reappears after about 3 seconds. If you have made a mistake in the settings, start again from step 2.

.....
 If you allow about 10 seconds to elapse between settings, the procedure is cancelled, all settings are returned to how they were, and the previous display is restored. Begin again if this occurs.



Subwoofer channel setting

Press [SUBWOOFER] to select "ON" or "OFF". "SUB-WFR" appears on the display and the current setting, "ON" or "OFF", is shown. Press again to switch between "ON" and "OFF".
ON: select if you are using a subwoofer.
OFF: select if you are not using a subwoofer.

Select "OFF" also when you don't want sound to come from the subwoofer because you are listening to stereo sources.

For your reference:

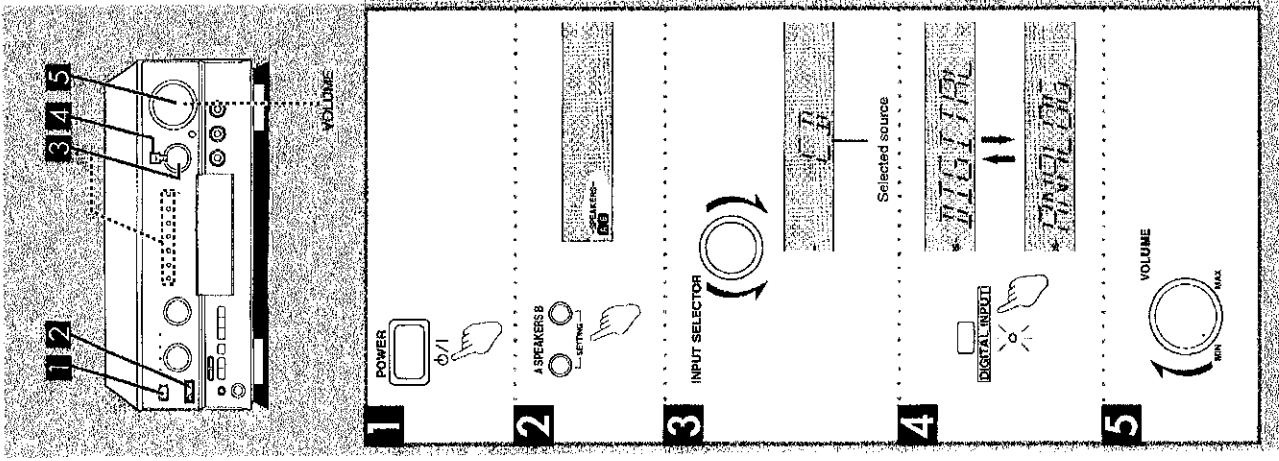
The settings remain as they are until changed by the above procedure, even after the power has been turned off.

The speaker indicators

This part of the display indicates which speakers sound is coming from. If "NONE" or "OFF" is selected during the speaker settings procedure, the corresponding indicators do not light. The surround and center speaker indicators do not light when STEREO mode is selected.

Basic Operations

Before operation, set VOLUME to the "MIN" position.



1 Press [POWER].

2 Press [A] and/or [B] to select the speaker system(s) to be used.
A and B refer to the speaker terminals at the rear of the unit.
If the button is pressed once more, the indicator will switch off and no sound will be heard from the speakers.

3 Turn [INPUT SELECTOR] to select and start the desired source.
(Refer to the appropriate operating instructions for details.)
The indicator corresponding to the selected source lights and the source is shown on the display.

- TAPE (MONITOR): To listen to cassette tapes
- VCR: To watch video tapes
- TV/DSS: To watch TV or DSS
- DVD: To watch DVD
- CD: To listen to compact discs
- TUNER: To listen to radio broadcasts
- PHONO: To listen to phono discs

NOTE
To watch a video (or DVD) or the TV, set the TV to either the TV mode or VIDEO mode.

4 (only if you select TV/DSS, CD or DVD in the above step) Press [DIGITAL INPUT] to select "DIGITAL" or "ANALOG".
Switches between "DIGITAL" and "ANALOG" each time the button is pressed.

The "DIGITAL INPUT" indicator lights when DIGITAL selected.

5 Adjust the volume level.

For your reference

- If the SURROUND, DTS or SFC mode has been selected
After displaying the selected source, the display will then change to show the SURROUND, DTS or SFC mode.

If the source chosen was TUNER then the display will change again to show the frequency.

- If you are using VCR and you select TAPE, CD, TUNER, or PHONO
The picture will remain on the screen.

When you finish listening
Be sure to reduce the volume level, and switch the power to the standby condition by pressing [POWER].

For front speakers with an impedance under 8 Ω

Press and hold [A] or [B] until "LOW IMP" lights up on the display.

If even one of the speakers being used has an impedance under 8 Ω, press and hold down either [A] or [B] for 4 seconds or more to set the impedance on the main unit to LOW.

(Press and hold down once again for 4 seconds or more to turn it off.)

Note that when "LOW IMP" is illuminated, speakers A and B cannot both be used at the same time.

To change a speaker:

e.g. To use speaker B, press [A] (" " goes out), and then press [B] to activate speaker B.

The TAPE (MONITOR) indicator

This indicator lights in the following two situations:

1. While TAPE is selected.
2. While TAPE MONITOR is in use.

To use the tape monitor

If [TAPE MONITOR] is pressed while a source other than TAPE is selected, the "TAPE (MONITOR)" indicator lights and the tape monitor comes on.

Sources other than tape can still be selected with [INPUT SELECTOR] while the "TAPE (MONITOR)" indicator is on.

Press [TAPE MONITOR] again to turn the tape monitor off.

(See "Making a recording" for details on how to use the tape monitor during recording.)

NOTE

- The tape monitor cannot be used when TV/DSS, DVD, or CD digital input is being used.
- If you are using the tape monitor and you select a digital input source, the tape monitor switches off.

About the HELP function

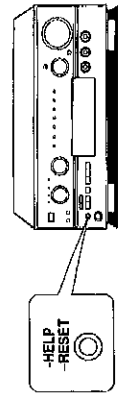
If you make a mistake in operation or if sound output stops due to some operation which was performed, the HELP function displays information which can be useful for indicating the method by which this condition can be remedied.
If "ERROR" or scrolling characters (for instance, "SPEAKER OFF NOW") appear on the display during operation, carry out the following operation.

Press [-HELP, -RESET].

The method for remedying this situation will be displayed.

For your reference

If the above button is pressed for 2 seconds or more until "RESET" appears on the display, the operation settings for the unit will be initialized to the settings made at the time of shipment. However, any broadcasting stations which have been preset into memory will not be erased at this time.

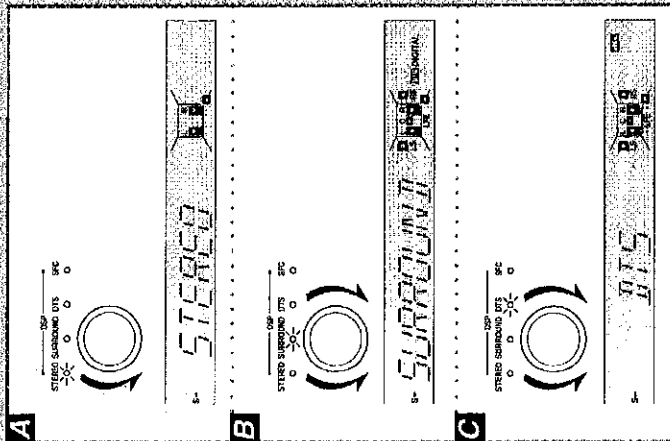
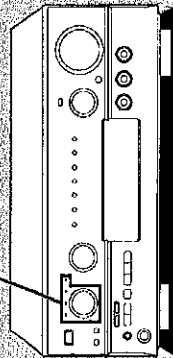


Digital Signal Processor and Other Sound Modes

You can take advantage of the following modes with this unit.

STEREO mode **A**

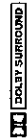
Use this mode when you want to listen to stereo sources, whether they are digital or analog, or when you want to playback Dolby Digital or DTS sources through two channels. The sounds usually fed through the other speakers are down-mixed so they are output through the left and right front speakers. There may be some change in the overall sound when surround sources are down-mixed.



SURROUND mode **B**

By selecting this mode while digital input is being used, the unit automatically determines the kind of digital source being used (Dolby Digital, Dolby Surround, or DTS), and processes it accordingly. Select this mode also when you are playing back an analog source, VCR for example, that has been recorded in Dolby Surround.

Software with the following mark can be played back in this mode.



DTS mode **C**

Select this mode if the DTS source you are playing back is not recognized by the SURROUND mode.

Software with the following mark can be played back in this mode.



SFC mode

The SFC (Sound Field Control) function gives presence and spread thereby enhancing and enriching the music or movie. Read the following explanations better understand how to make your selection.

NOTE
SFC is designed to add surround-like effects to stereo sources. Select the appropriate mode when playing back Dolby Digital, DTS, or Dolby Surround sources.

HALL

This mode imparts a reflection and spread which will make you feel as if you are in a large concert hall.

CLUB

Like a jazz club, this mode provides an exciting and intimate atmosphere. It simulates the sound field of a relatively small room having a low ceiling and hard reflective surfaces for a "live" sound with enhanced presence to bring the performers up close.

LIVE

Primarily for vocal pieces, this mode adds gloss to the vocals and you'll feel as though you were hearing a live stage performance.

THEATER

You can clearly perceive the directions and source of the movie. Real ambience of sound can also be recreated naturally using this mode.

SIMULATED (SIM SURR)

Choose this mode if little or no sound will be heard from the surround speakers. You can feel as if you were in a more expanded space adding to the actual sound from the source. This mode also adds effect to monaural sources by outputting sound from surround speakers.

If reception is weak or "TUNED" fails to light completely while playing the radio

Press and hold [-DSP ON/DEFEAT] until "DEFEAT" appears on the display. Press and hold again to turn DSP on. The STEREO mode is selected.

This allows you to play back sound without it passing through the digital signal processor (DSP). When this is selected, no sound will go through the center or surround speakers or the subwoofer.

NOTE

When "DEFEAT" is selected the sound mode indicators (STEREO, SURROUND, DTS and SFC) go out and these modes can not be selected.

Preparing for surround sound

Do these steps to get the most from your home theater system.

Adjusting speaker output level

by remote control only

Adjust speaker level so the output from all the speakers is the same apparent level when sitting where you would normally enjoy a source.

Preparation

- Turn ON the speakers with [SPEAKERS A].
- Adjust front speaker balance with [BALANCE].

- 1 Press [SURROUND] to select "SURROUND".
"SURROUND" appears on the display.

Note
This procedure must be done in the SURROUND mode.

- 2 Press [TEST] to output the test signal.

The "TEST" appears on the display.
The signal is output from each speaker in order for about two seconds each.

- L: Front speaker (left)
- C: Center speaker
- R: Front speaker (right)
- RS: Surround speaker (right)
- LS: Surround speaker (left)
- SW: Subwoofer

Speakers set as "NONE" or "OFF" are skipped.

- 3 Press [VOL (- or +)] to set the volume level normally used for enjoying the source.

- 4 Press [LEVEL] to select the speaker channel to adjust.

The current level appears on the display.
Press again to change the speaker channel.

Speakers set as "NONE" or "OFF" are skipped.

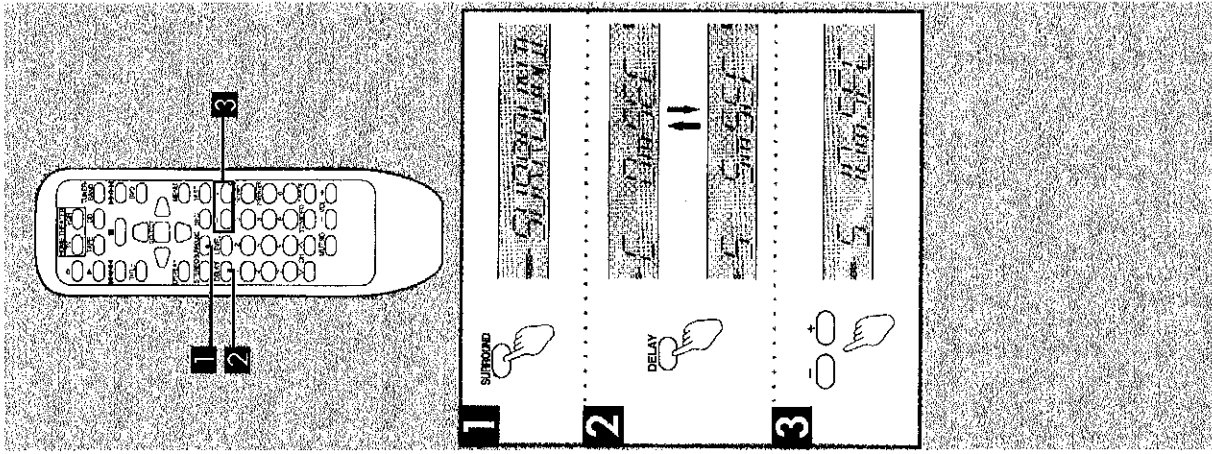
- 5 Press [-] or [+] to adjust the level to the same apparent level as the front speakers.

The four channels can be adjusted between -10 dB and +10 dB, with zero being the current level of the front speakers.

- 6 Repeat 4 and 5 for each speaker channel.

To stop the test signal

Press [TEST].



Adjusting the delay time

by remote control only

By adjusting the delay time, the difference in the distance from the viewing and listening position to the front speakers and the distance to the center speaker and surround speakers can be offset and made equal. This achieves better sound localization and makes a more like-like reproduction of the sound field possible.

Preparation

Prepare the unit in this manner even if you intend to playback analog sources.

- Select "DVD" with [INPUT SELECTOR] but ensure the source itself is off.
- Press [DIGITAL INPUT] to select "DIGITAL".

Note

Please note that following occurs if delay time is adjusted while playing back a source or analog input is selected:

- Adjustment is not possible if the source is DTS format.
- While the DXP/PRO LOGIC indicator is alight, the center channel cannot be adjusted and 15 ms are added to the delay times listed for surround channel.

- 1 Press [SURROUND] to select "SURROUND".
"SURROUND" appears on the display.

- 2 Press [DELAY] to select the channel to be adjusted.

The current delay time is displayed.

Press again to change the speaker channel.
C (Center speaker) → S (Surround speaker)

Speakers set as "NONE" are skipped.

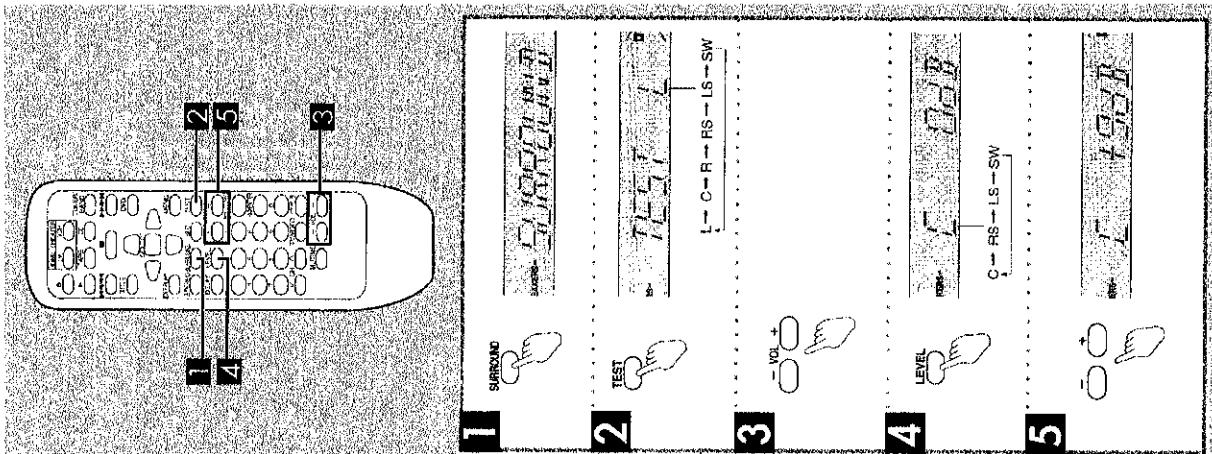
- 3 Press [-] or [+] to set the delay time.

The delay time changes with each press.

The increments depend on the channel being adjusted.

Speaker	Available delay time setting (ms)
Center	0, 1, 2, 3, 4, 5
Surround	0, 5, 10, 15

The display is restored if a button isn't pressed for 4 or more seconds.



Enjoying sound modes

- 1 Turn [INPUT SELECTOR] to select the desired source.
- 2 Start the desired source.
- 3 Turn the sound mode selector to select the desired mode.
The selected reproduction mode appears on the display.

STEREO, STEREO SURROUND

- One of the following indicators lights to indicate the source.
- ① DTPRO LOGIC: Lights if the source is Dolby Surround format.
 - ② DTS: Lights if the source is DTS format.
 - ③ DIGITAL: Lights if the source is Dolby Digital Format.

DTS: DTS
SFC: HALL, CLUB, LIVE, THEATER or SIM SURR

Note

Select the mode to suit the source's format. Dolby Digital and DTS, for example, cannot be played back in an SFC mode. If either **DTPRO** or **DIGITAL** appear while using SFC, use SURROUND instead.

- 4 (only if you select SFC in the above step) Turn [MODE] to select the desired SFC mode.

For your reference
You can set the sound mode for each source. Each source will retain the selected mode.

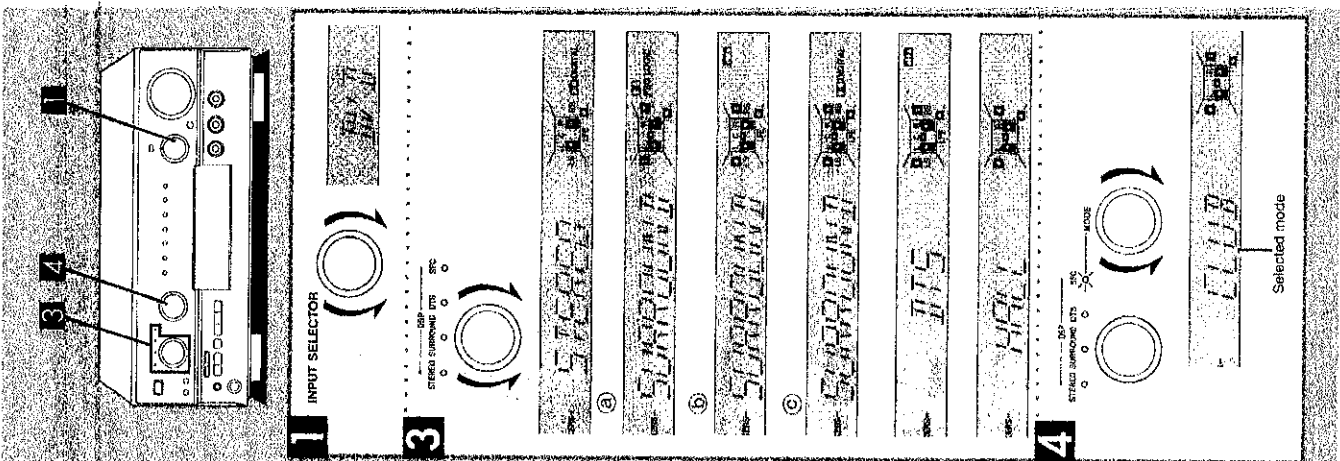
Note

Ensure the front speakers are connected to the A terminals when you use SURROUND, DTS and SFC modes. The SURROUND, DTS and SFC modes cannot be turned on if "SPEAKERS B" is selected.

Only Dolby Digital, DTS or PCM signals * can be reproduced through the digital terminal.

- * The digital input signal of sampling frequencies 96 kHz and other signal formats such as MPEG cannot be reproduced on this unit.
- * When playback is started, the sound may be cut or interrupted before the input source is confirmed as Dolby Digital or DTS.

* PCM signal: This refers to the recording format of signals (44.1 kHz, linear 16 bits) used for audio CDs.



Adjusting field of sound in the SFC mode

By remote control only

With this unit, you can adjust speaker volume. Adjust the field of sound while listening to a source.

- 1 To adjust the volume of each speakers

- 1 Press [LEVEL] to select the speaker channel to adjust.
The output level appears on the display.

Each time the button is subsequently pressed, the speaker whose level is to be set is selected in the listed sequence.

C → RS → LS → SW

Speakers for which "NONE" or "OFF" has been set are skipped.

- 2 Press [-] or [+] to adjust the output level.
Channels C, RS, LS, and SW can be adjusted between -10 dB and +10 dB.

To adjust the delay time of the surround speakers

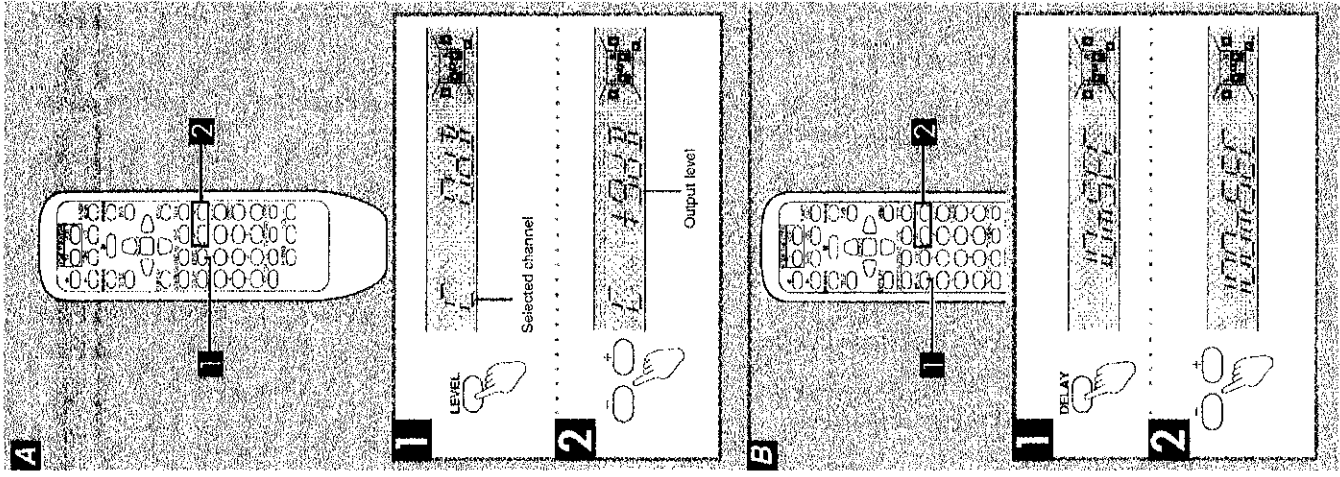
- 1 Press [DELAY].

- 2 Press [-] or [+] to adjust the delay time.

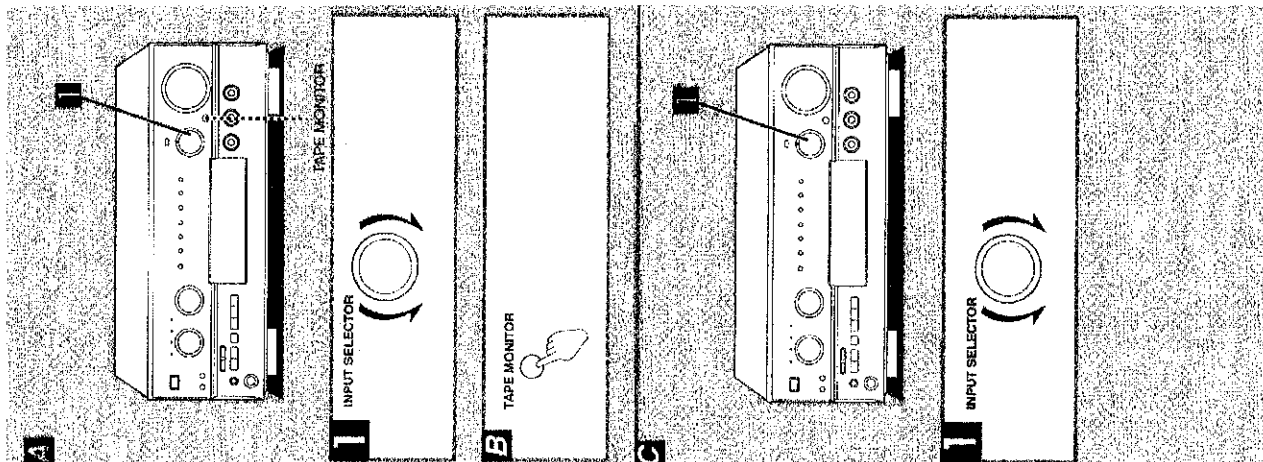
Select a delay time to suit your individual needs. Delay time can be set at 10 milliseconds (ms) intervals between 10 and 100 ms. The factory settings for each mode are 50 ms.

For your reference

Settings for volume level and delay time can be done for each SFC mode.

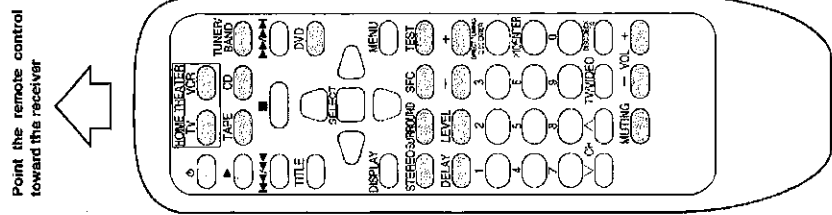


Making a recording & using the remote control



- A** **Note**
You cannot record a source connected through a digital terminal.
- Recording on a tape deck**
- Before recording, prepare the tape deck. See the tape deck's operating instructions for details.
- 1 Turn [INPUT SELECTOR] to select the source to be recorded.**
Any source can be selected except TAPE.
 - 2 Begin recording on the tape deck.**
Follow your tape deck's operating instructions.
 - 3 Begin the source to be recorded.**
Follow your equipment's operating instructions.
- To monitor the recorded sound**
- It is possible to check the sound being recorded if your tape deck is a 3 head system.
- Press [TAPE MONITOR] on this unit and set the monitor button on the tape deck to "TAPE".**
Press [TAPE MONITOR] once again to turn it off.
- Recording on a VCR**
- Before recording, prepare VCR. See the VCR's operating instructions for details.
- 1 Turn [INPUT SELECTOR] to select the source to be recorded.**
Any source can be selected except VCR and TAPE.
- Note**
Recording from the tape deck is not possible.
- 2 Begin recording on the VCR.**
Follow your VCR's operating instructions.
 - 3 Begin the source to be recorded.**
Follow your equipment's operating instructions.

Basic operations	
To turn the unit ON/OFF	→ <p>Once the unit has been set to ON, it can be turned ON and OFF simply by pressing [TUNER BAND].</p> <p>Note After turning the TV, VCR or DVD player ON or OFF, always press [TUNER/BAND] before pressing [] when turning the receiver ON and OFF.</p>
To select an input source and switch the remote control to each operation mode	<p>Note PHONO can not be selected with this remote control. • TAPE MONITOR cannot be controlled with the [TAPE] button.</p>
To turn on the STEREO mode	
To turn on the SURROUND mode	
To turn SFC on and select the mode	<p>Changes as follows each time the button is pressed. HALL → CLUB → LIVE → THEATER └─ SIM SURR (SIMULATED) ─┘</p>
To output a test signal	<p>When the SURROUND mode is on</p> <p>Press once more to stop the test signal.</p>
To select the speaker channel and adjust its output level	<p>When the SURROUND, DTS or SFC modes are on</p> → <p>Note The last channel to be adjusted is remembered so you can adjust it again without having to press [LEVEL].</p>
To select the speaker channel and adjust its delay time	<p>When the SURROUND or SFC modes are on</p> → <p>Note The last channel to be adjusted is remembered so you can adjust it again without having to press [DELAY].</p>
To mute the sound level	<p>The message "MUTING ON NOW" runs repeatedly from right to left across the display as long as the muting function is on. Press once more to return to the original volume.</p>
To adjust the volume level	



■ Operation Checks

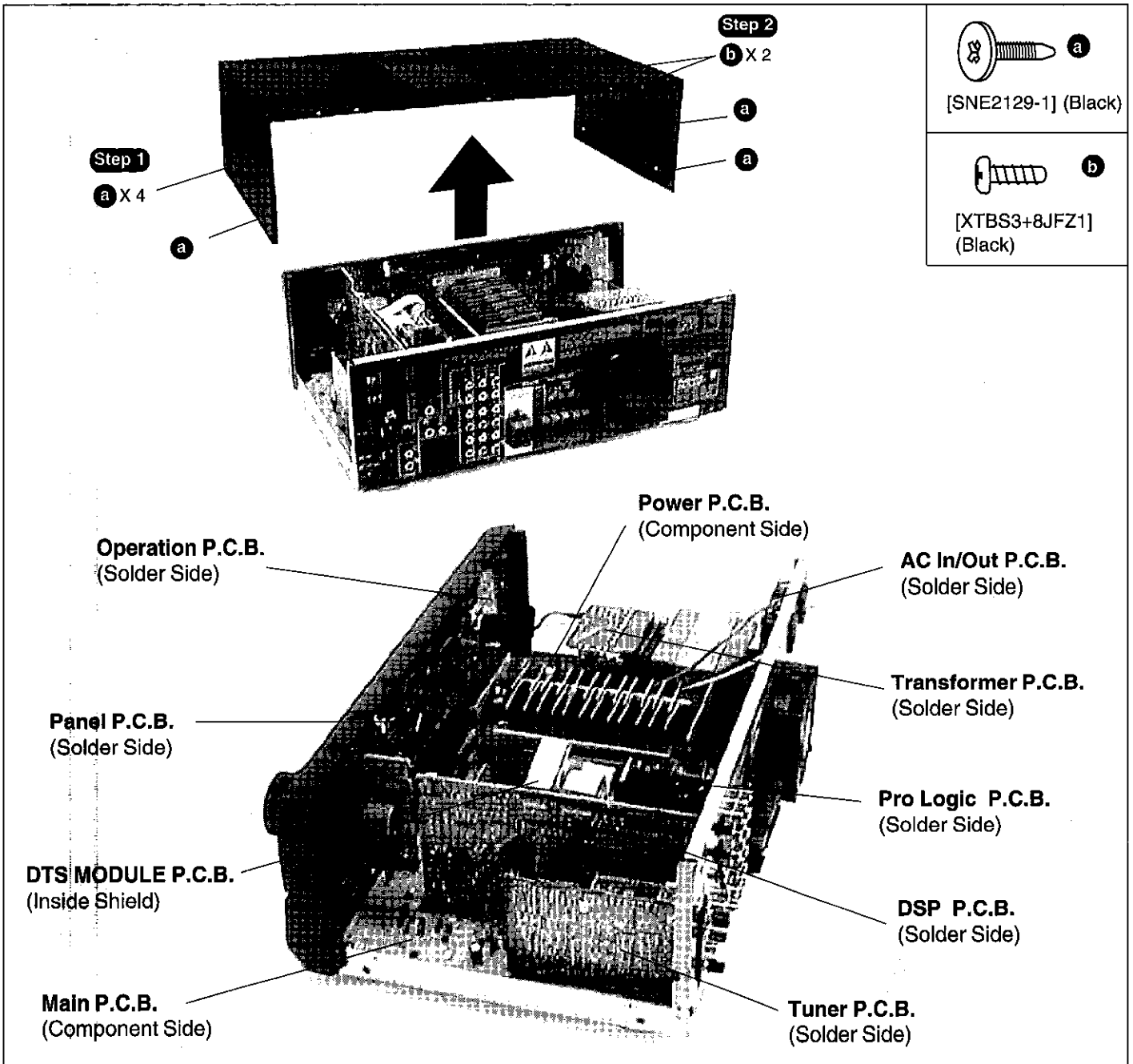
"ATTENTION SERVICER" Some chassis components may have sharp edges. Be careful when disassembling and servicing.

1. This section describes procedures for checking the operation of the major printed circuit boards and replacing the main components.
2. For reassembly after operation checks or replacement, reverse the respective procedures. Special reassembly procedures are described only when required.
3. Select items from the following Index when checks or replacement are required.

• Contents

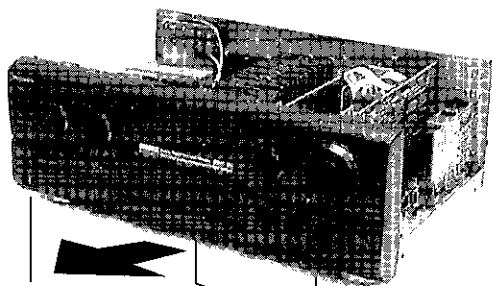
	page
• Checking Procedure For Each Major P.C.B.	11 ~ 13
• Main Component Replacement Procedures	13 ~ 14

■ Checking Procedure For Each Major P.C.B.



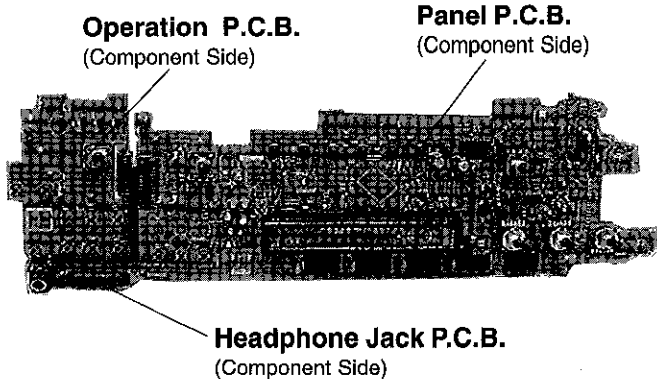
To remove Front Panel and check Panel P.C.B., Operation P.C.B. and Headphone Jack P.C.B.

Step 1
Remove the top cabinet.

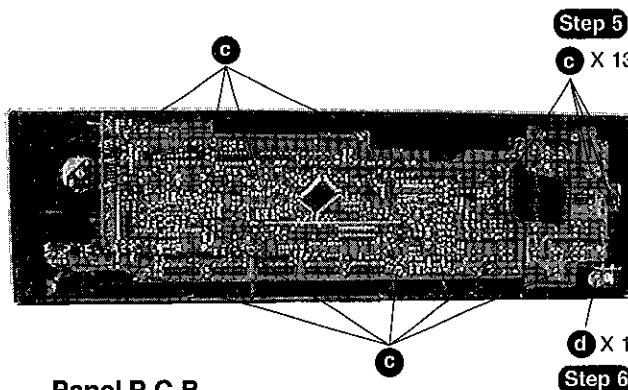
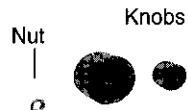


Step 2
b X 3

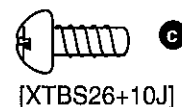
Step 3
Remove the Front Panel in the direction of arrow.



Step 4
Remove all Knobs and Nuts from Front Panel.

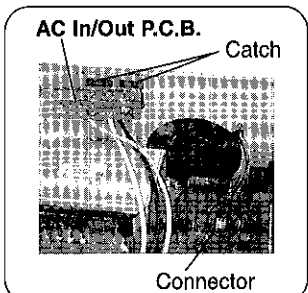


Step 7
Pull out the Headphone Jack P.C.B.



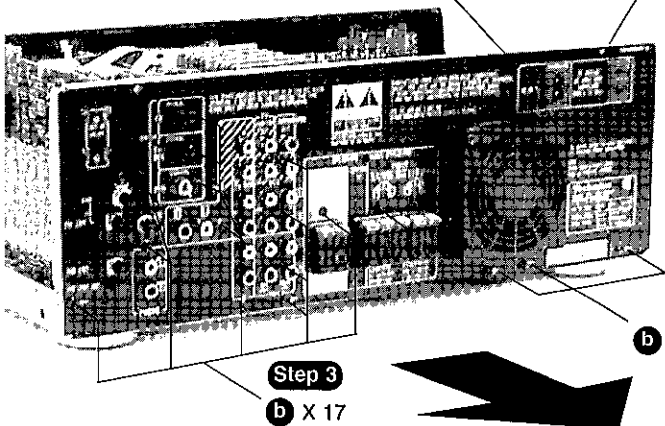
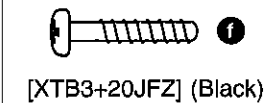
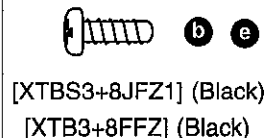
To remove Rear Panel and check Main P.C.B. and Power P.C.B.

Step 4
Release the AC In/Out P.C.B. catches and the fan motor connector, then pull out the rear panel in the direction of arrow.

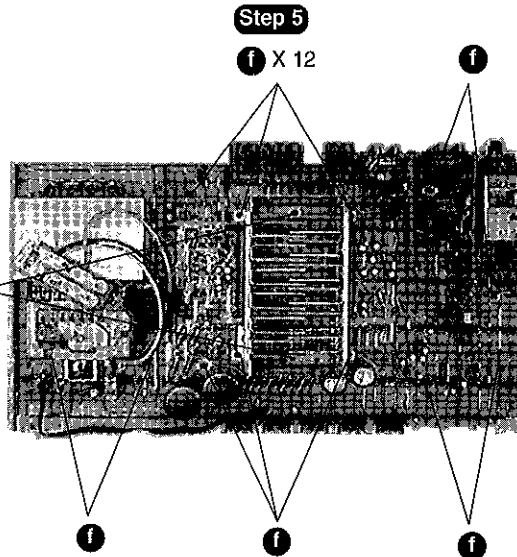


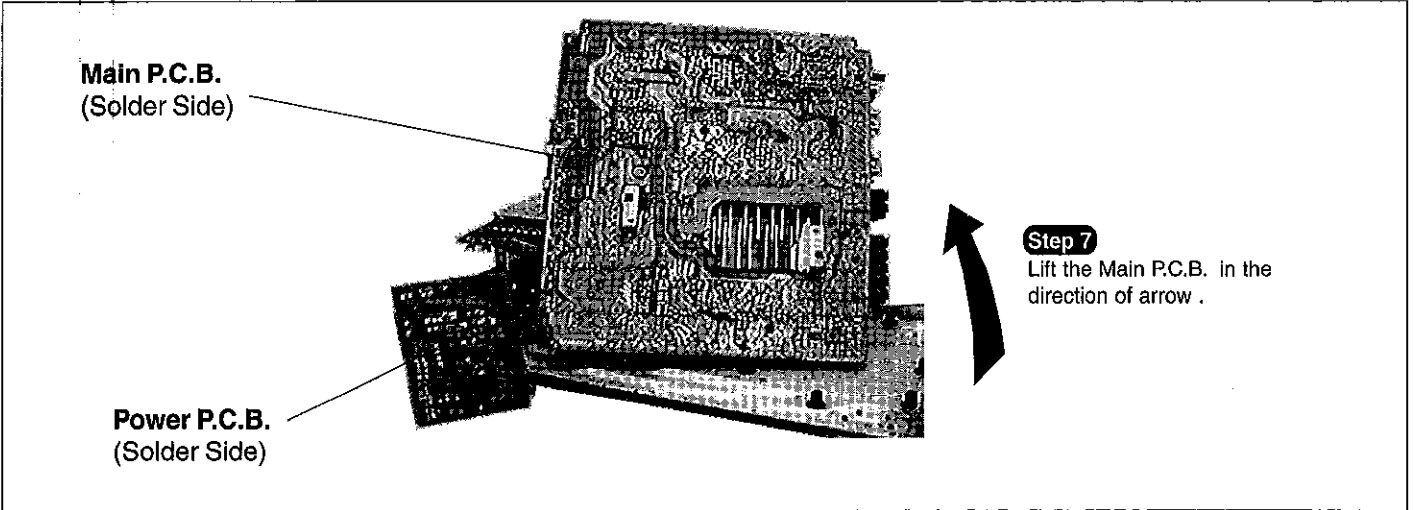
Step 1
Remove the top cabinet.

Step 2
Remove the front panel.



Step 6
e X 2



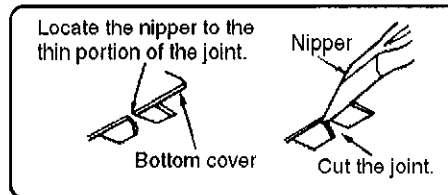


■ Main Component Replacement Procedures

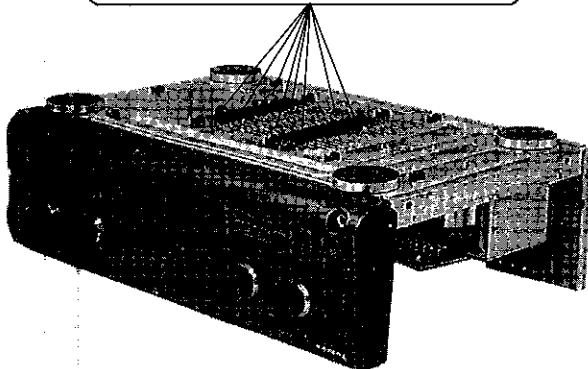
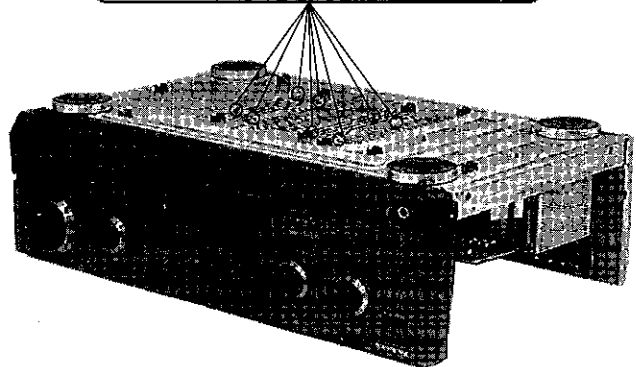
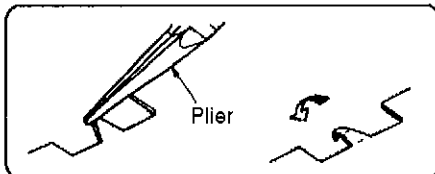
1. Replacement of the Power IC and Regulator Transistor

Step 1
Remove the top cabinet.

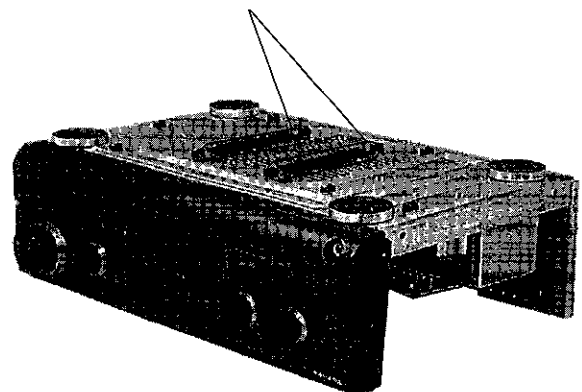
Step 2 Cut the joints as shown below. (8 joints)



Step 3 Fold the joints. (8 joints)

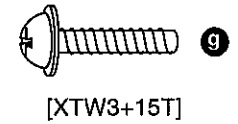
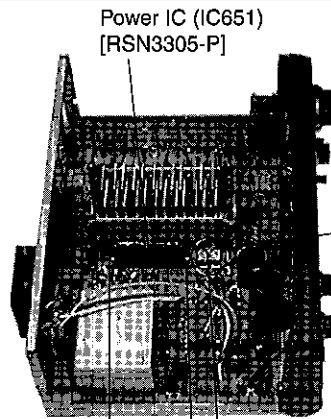
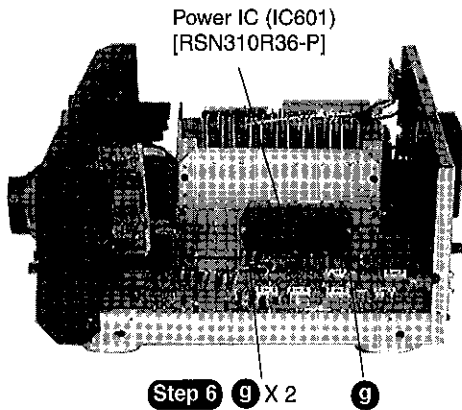


Step 4
Desolder the terminals of Power IC and Regulator Transistor.



Step 5

Remove all screws (b) for the Tuner, AC-3 and Pro Logic P.C.B.'s at the Rear Panel and pull out these P.C.B.'s from the Main P.C.B.



Regulator transistor (Q701, Q708)
[2SD2374PQAU, 2SB1548PQAU]

Step 7

(g) X 3

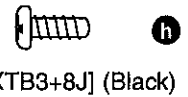


•The PROTO Offset Screwdriver No. 34-1/4 is recommended for use in the application above.

Installation of the bottom cover after replacement

Step 1

Flip over the bottom cover

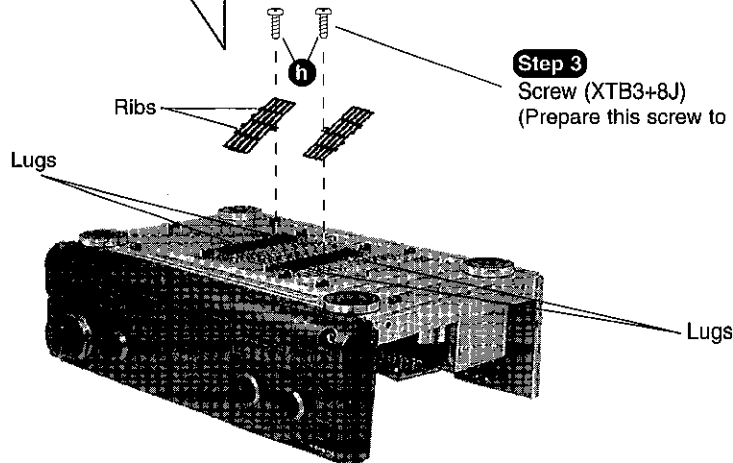


Step 3

Screw (XTB3+8J)
(Prepare this screw to fix the bottom cover.)

Step 2

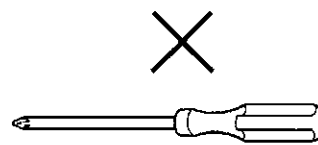
Align the ribs of bottom cover into the lugs.



CAUTION

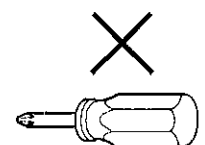
1. After replacing the power IC or regulator transistor, apply a sufficient quantity of compound grease (RFKX0002/SZZ0L15) between the heat sink and the power IC or regulator transistor (Radiation of power IC).
2. Tighten enough the screws (g) after replacing the power IC and regulator transistor. Otherwise, the heat radiation works little.
3. When installing or removing the power IC or transistor holder, be sure to use an offset screwdriver.

- A long straight screwdriver cannot be used for removing or mounting the screws since its long grip interferes with the neighbouring P.C.B. (See Fig.1)
- A short straight screwdriver may be used for removal, but cannot be used for mounting because the limited space in the unit will not allow sufficient tightening torque.(See Fig.2)



A long straight screwdriver

Fig.1



A short straight screwdriver

Fig.2

- Insufficient tightening will cause poor heat dissipation from the power IC and regulator transistor and, in the worst case, may lead to their thermal breakdown.

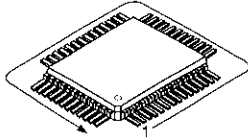
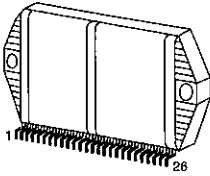
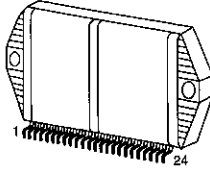
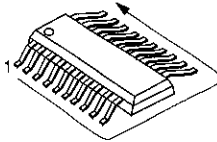
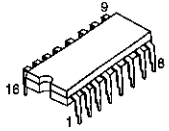
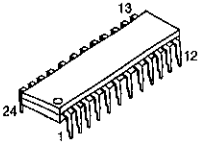
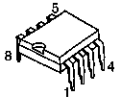
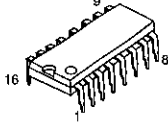
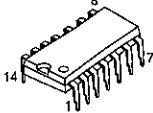
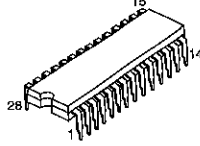
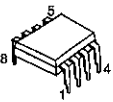
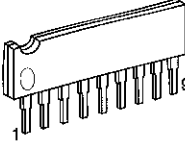
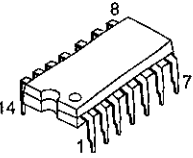
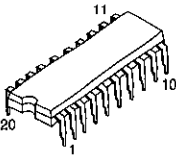
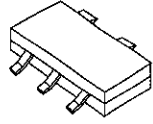
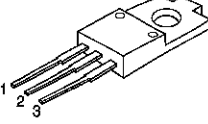
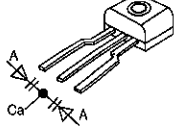
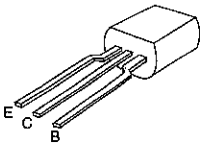
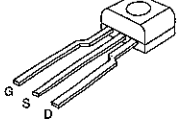
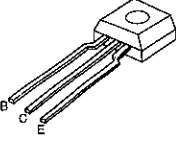
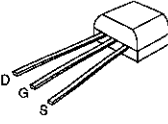
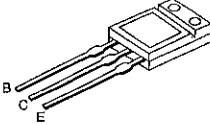
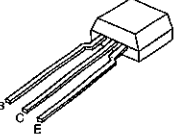
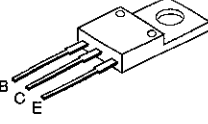
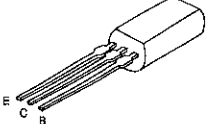
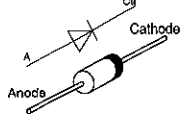
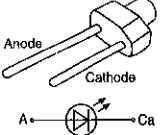
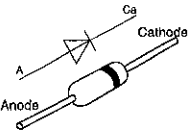
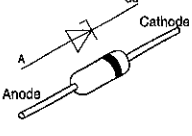
■ Terminal Functions Of ICs

• IC901 (M38B57M6127F) System Microprocessor

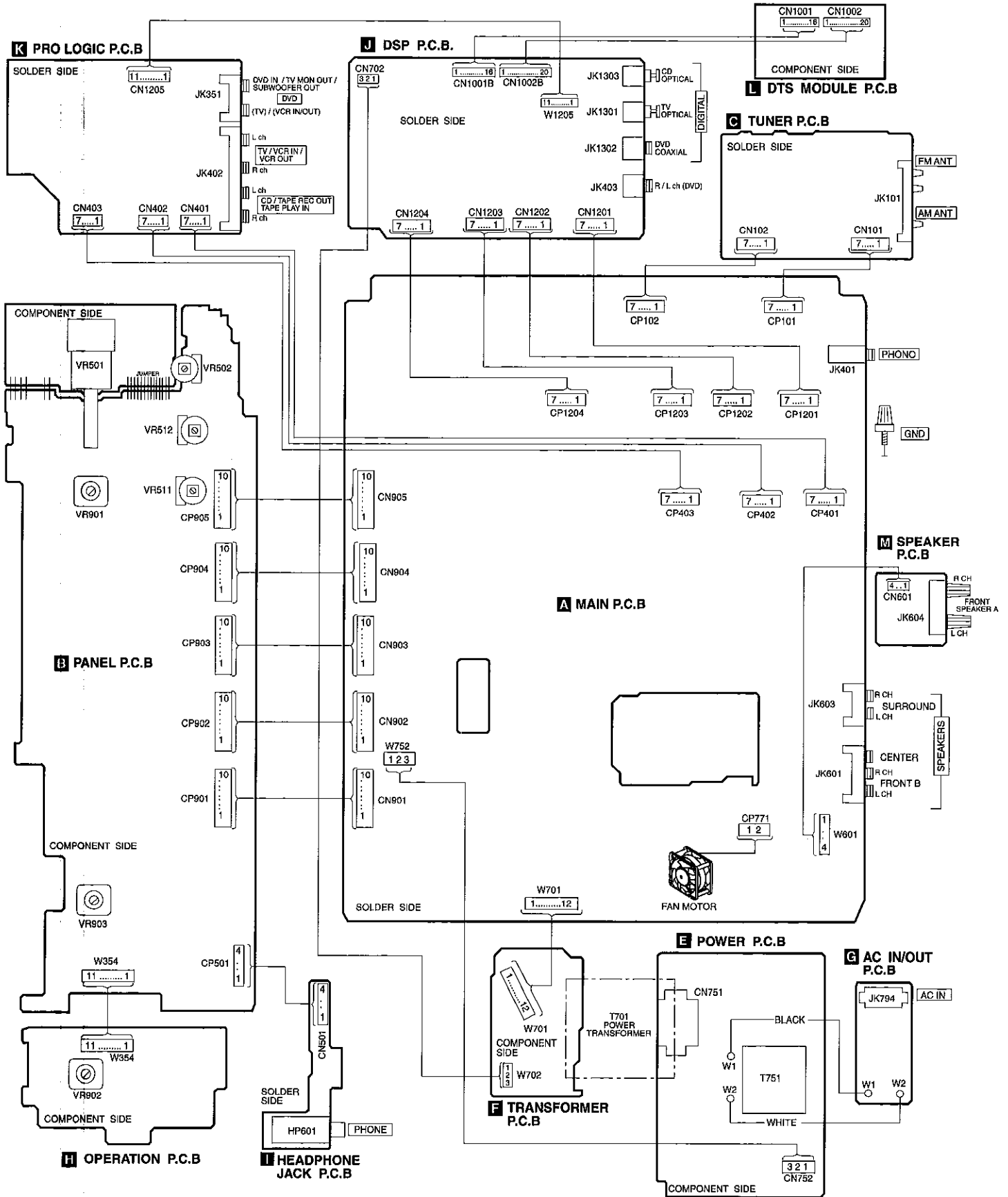
Pin No.	Mark	I/O	Function
1~2	KEY2~KEY1	I	Key Input 1 ~ 2
3	THERM/OVLD	I	Thermal/Over load input
4	KEY4	I	Key Input 4
5	OVERLOAD2	I	Over load input 2
6	FMST	I	Stereo signal detect terminal
7	WAKE	-	Wake up timer LED
8	RDS_DI	-	Control of RDS IC (Not used,open)
9	REMOTE	I	Remote control terminal
10	RESET	I	Reset detect terminal
11	RDS_CK	-	Control of RDS IC (CK) clock signal
12	RDS_DT	-	Control of RDS IC (DT) data signal
13	GND	-	GND terminal
14	XIN	I	Crystal oscillator terminal (4 MHz)
15	XOUT	O	Crystal oscillator terminal (4 MHz)
16	VDD (+5V)	-	Power supply terminal +5V
17	LED_CK	O	LED driver IC (CK) clock signal
18	LED_DATA	O	LED driver IC (DT) data signal
19	SFC1	I	SFC mode encoder input 1
20	SFC2	I	SFC mode encoder input 2
21	SEL1	I	Selector encoder for input 1
22	HOLD	I	Blackout detection terminal
23	SEL2	I	Selector encoder for input 2
24	D.PASS	O	DSP signal selector
25	RLY	-	Relay control output
26	LOUDNESS	O	Loudness control output
27	-	-	Not used.
28	VEE	-	Power supply for FL driver
29	S/C_SP	O	Surround/Center speaker control output

Pin No.	Mark	I/O	Function
30	SP_B	O	Speaker B control output
31	SP_A	O	Speaker A control output
32	AF_MUTE	O	Muting control output
33~48	SEG16~SEG1	O	FL segment signal output
49~58	DEG1~DEG10	O	FL digit signal output
59	INIT_IN	I	Diode input initial settings
60	VOL_DOWN	O	Volume control output (Down)
61	VOL_UP	O	Volume control output (Up)
62	-	-	Not used.
63	IF_DATA	I	Serial data signal
64	LIMITER	O	Power limiter control output
65	T.CE	O	Tuner control (CE) chip enable signal
66	T.CK	O	Selector/Tuner (CK) clock signal
67	T.DT	O	Selector/Tuner (DT) data signal
68	SUR1	I	Encoder of surround mode selector input1
69	SUR2	I	Encoder of surround mode selector input2
70	COM_CK	O	Common clock signal
71	COM_DO	O	Common digital output signal
72	COM_DI	I	Common digital input signal
73	AVSS	-	GND for A-D converter
74	VREF	-	Reference voltage for A-D converter
75	SD	I	SD signal detect input
76	COM_REQS	O	Common serial request output
77	HELP_LED/RDS_CE	O	Help LED control output
78	COM_REQM	O	Common mechanical request output
79	VIDEO_B	O	Video selector control output B
80	VIDEO_A	O	Video selector control output A

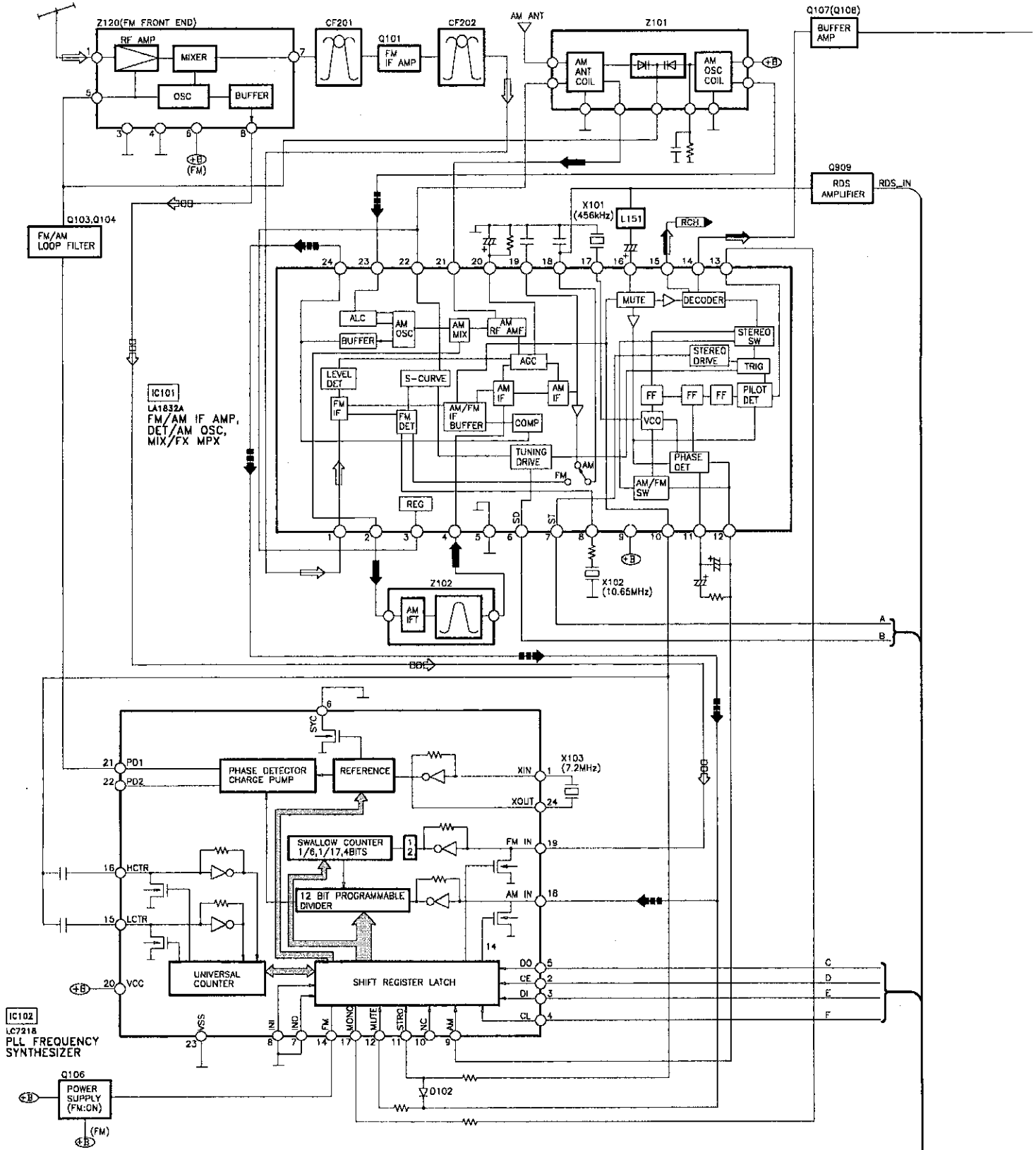
■ Type Illustration of ICs, Transistors and Diodes

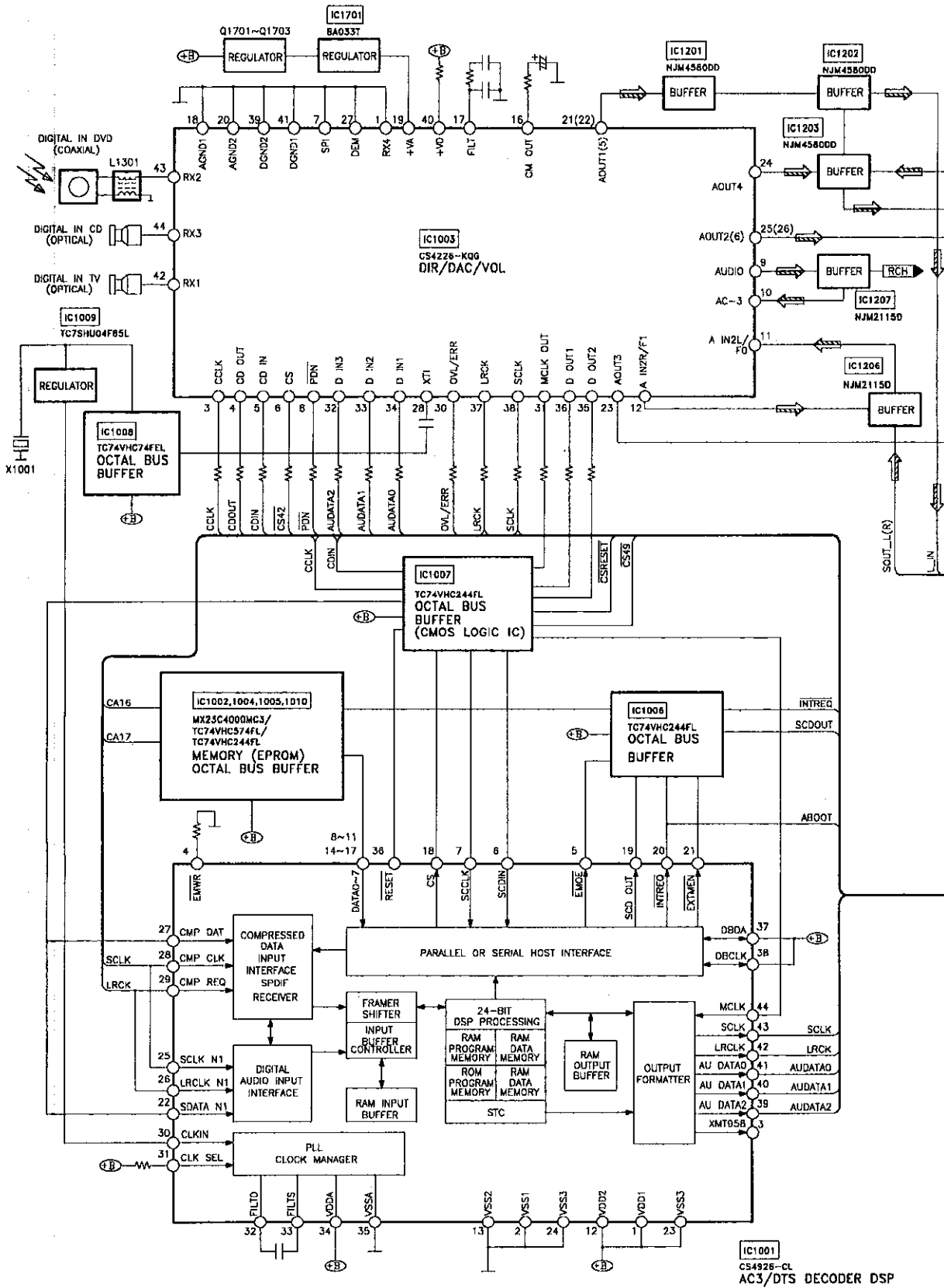
 <p>M38B57M6127F M38B53M4059F CS4926-CL CS4226-KQG</p>		 <p>RSN3305-P</p>	 <p>RSN310R36-P</p>	 <p>MX23C4000MC3 M62444FPE1</p>	 <p>TC9214AP</p>
<p>LA1832A LC7218</p> 	<p>AN6558F</p> 	<p>BU2090A</p> 	<p>NJM2060D NJM2279D</p> 	<p>TC9162AN TC9163AN</p> 	<p>NJM4580DD NJM2115D</p> 
<p>BA6218</p> 	<p>TC74VHC74FEL</p> 	<p>TC74VCH574FL TC74VHC244FL</p> 	<p>TC7SHU04F85L</p> 	<p>BA033T</p> 	<p>SVC211SPA-AL</p> 
<p>2SB621AQSTA 2SD592AQSTA</p> 	<p>2SK544F-AC</p> 		<p>2SC2787LTA 2SC2786MTA 2SC2787FL1TA 2SC2785FETA 2SC3311ARTA 2SD1915FTA</p>	<p>2SK2880CTA</p> 	<p>2SD2137PQTA</p> 
<p>2SA933SSTA 2SC1740SSTA</p> 	<p>RVTDTA113ZST RVTDTA114EST RVTDTA143XST RVTDC114EST RVTDC114TST RVTDC114YST RVTDC143XST</p>	<p>2SB1548PQAU 2SD2374PQAU</p> 	<p>2SA1534AQRTA 2SC3940AQSTA</p> 	<p>1N5402BM21 RK306LFU1</p> 	<p>SLR325MCT31 SLR325VCT31</p> 
	<p>1SS291TA RVD1SS133TA MA700ATA 1SR35400V</p>		<p>MTZJ15CTA MTZJ18CTA MTZJ27DTA MTZJ3R3ATA MTZJ3R9ATA MTZJ4R3BTA MTZJ4R7BTA</p>	<p>MTZJ5R1BTA MTZJ5R6BTA MTZJ6R2BTA MTZJ6R2CTA MTZJ6R8BTA MTZJ7R5CTA MTZJ8R2CTA</p>	

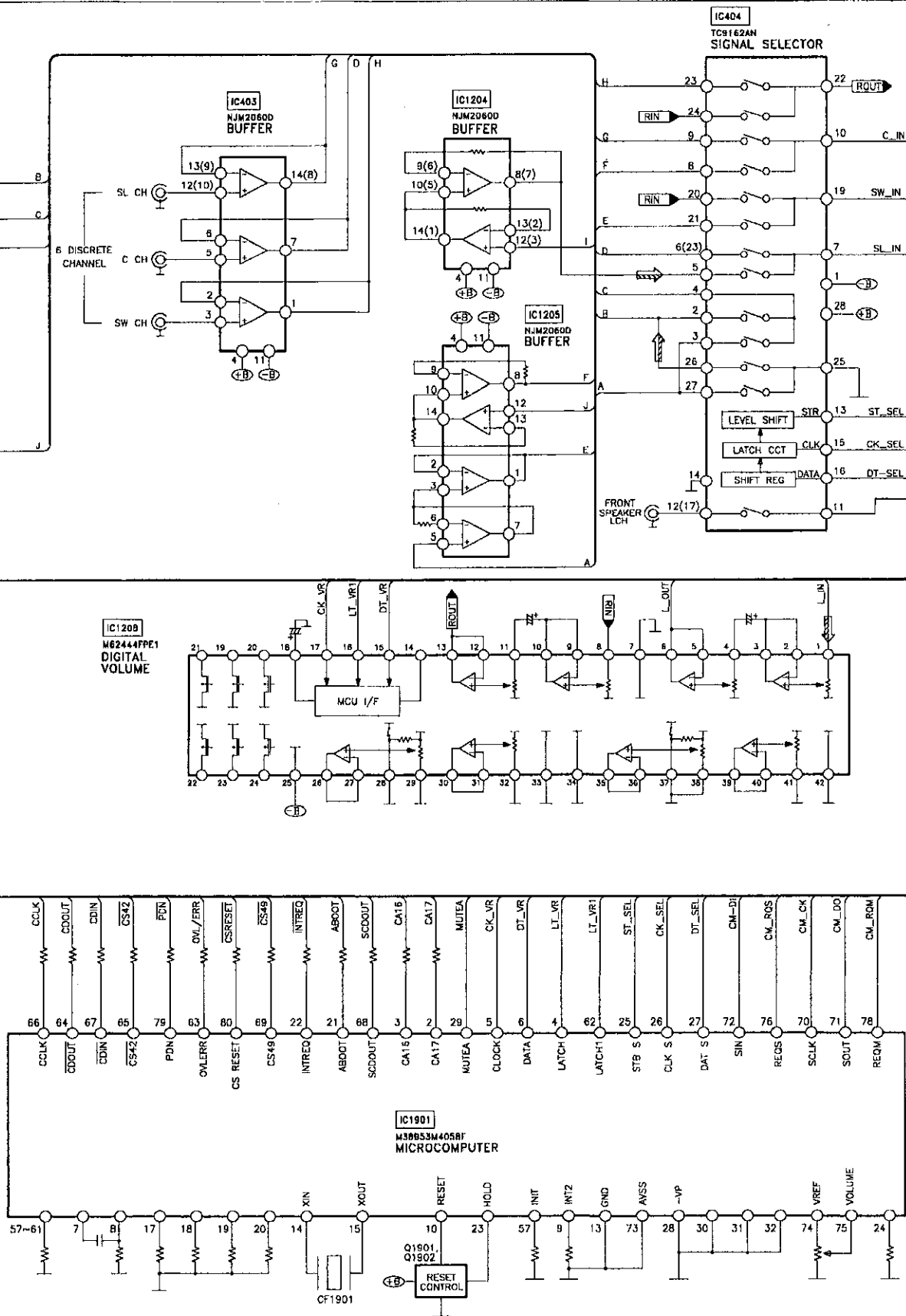
Wiring Connections Diagram

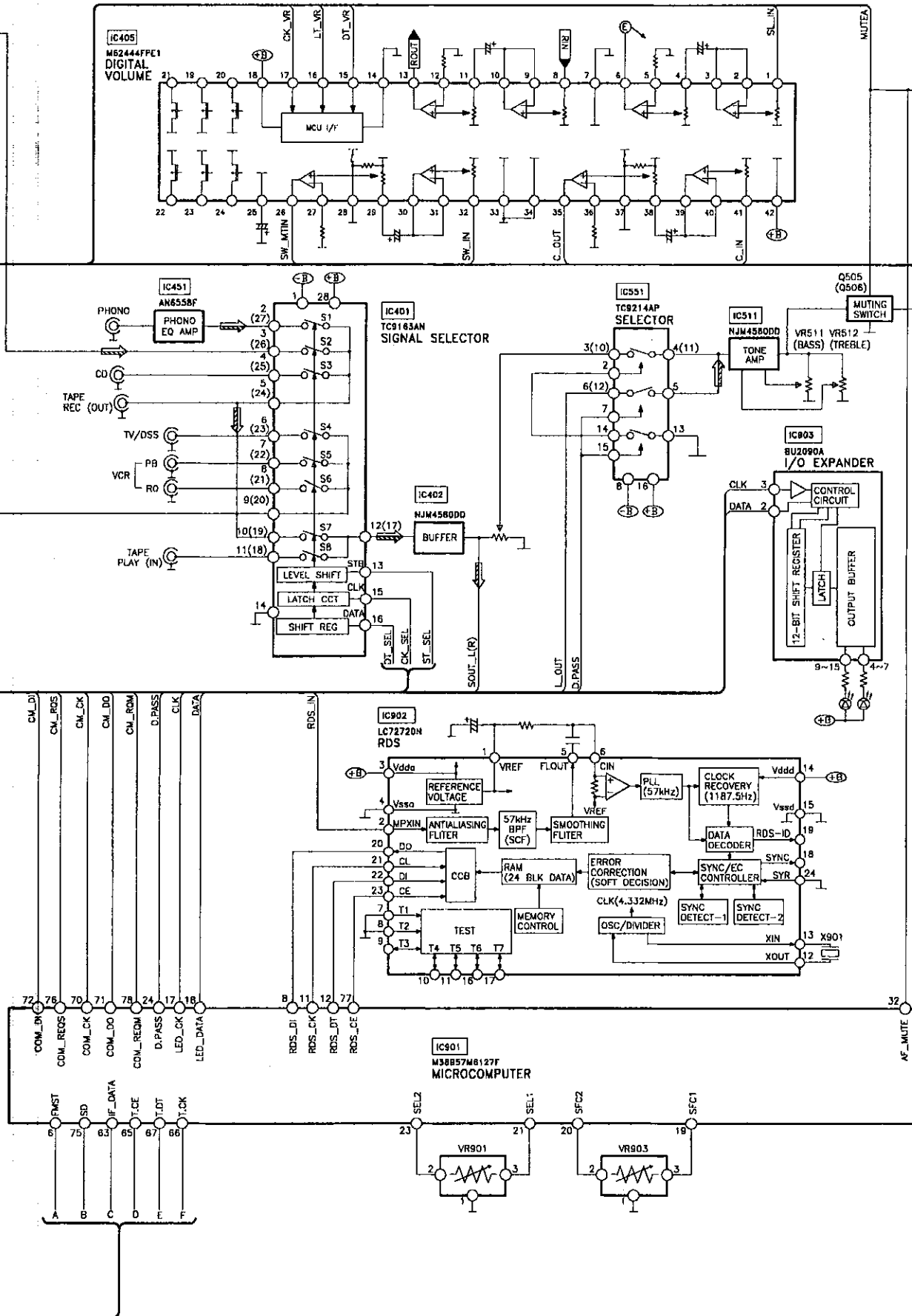


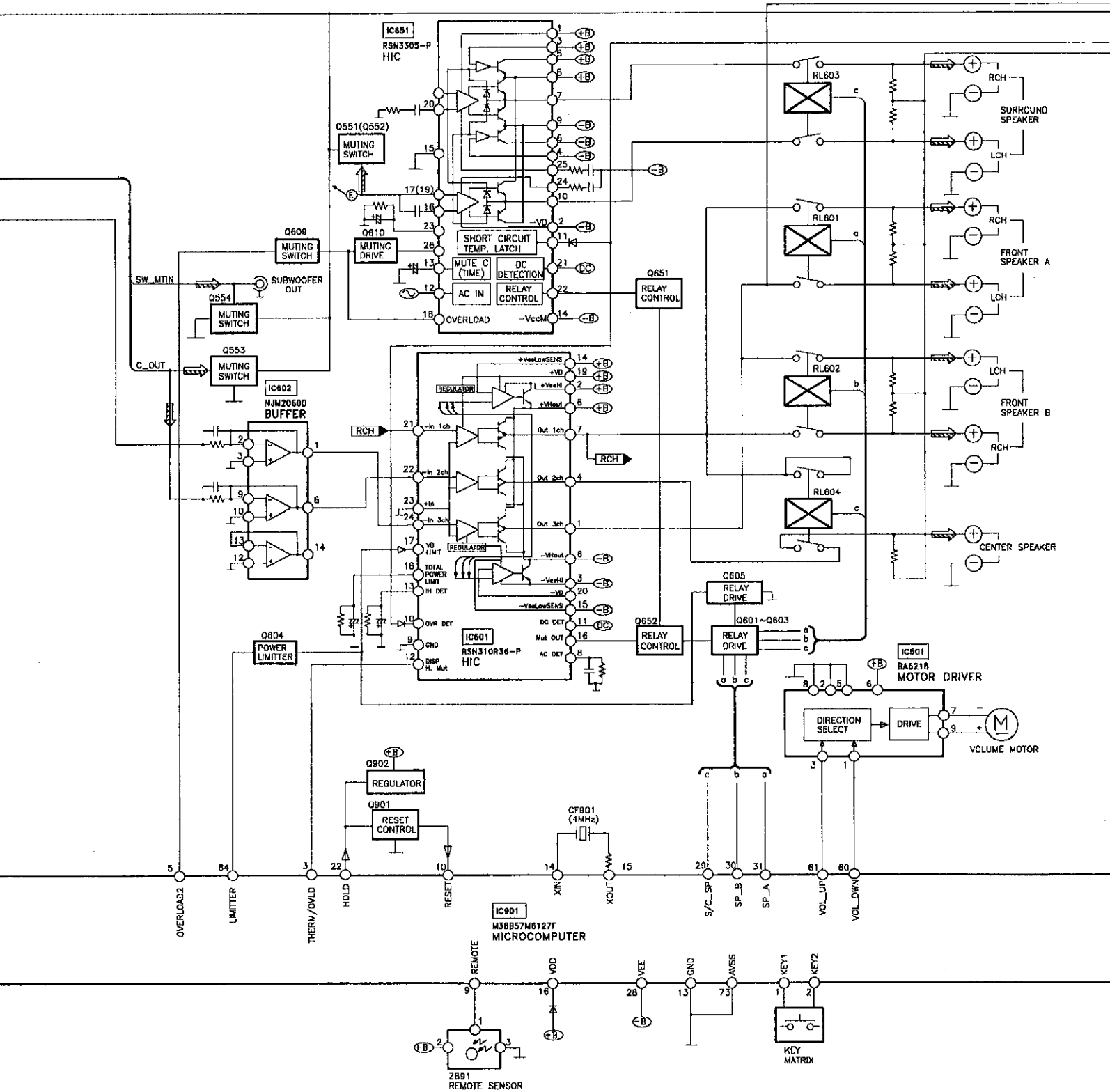
Block Diagram

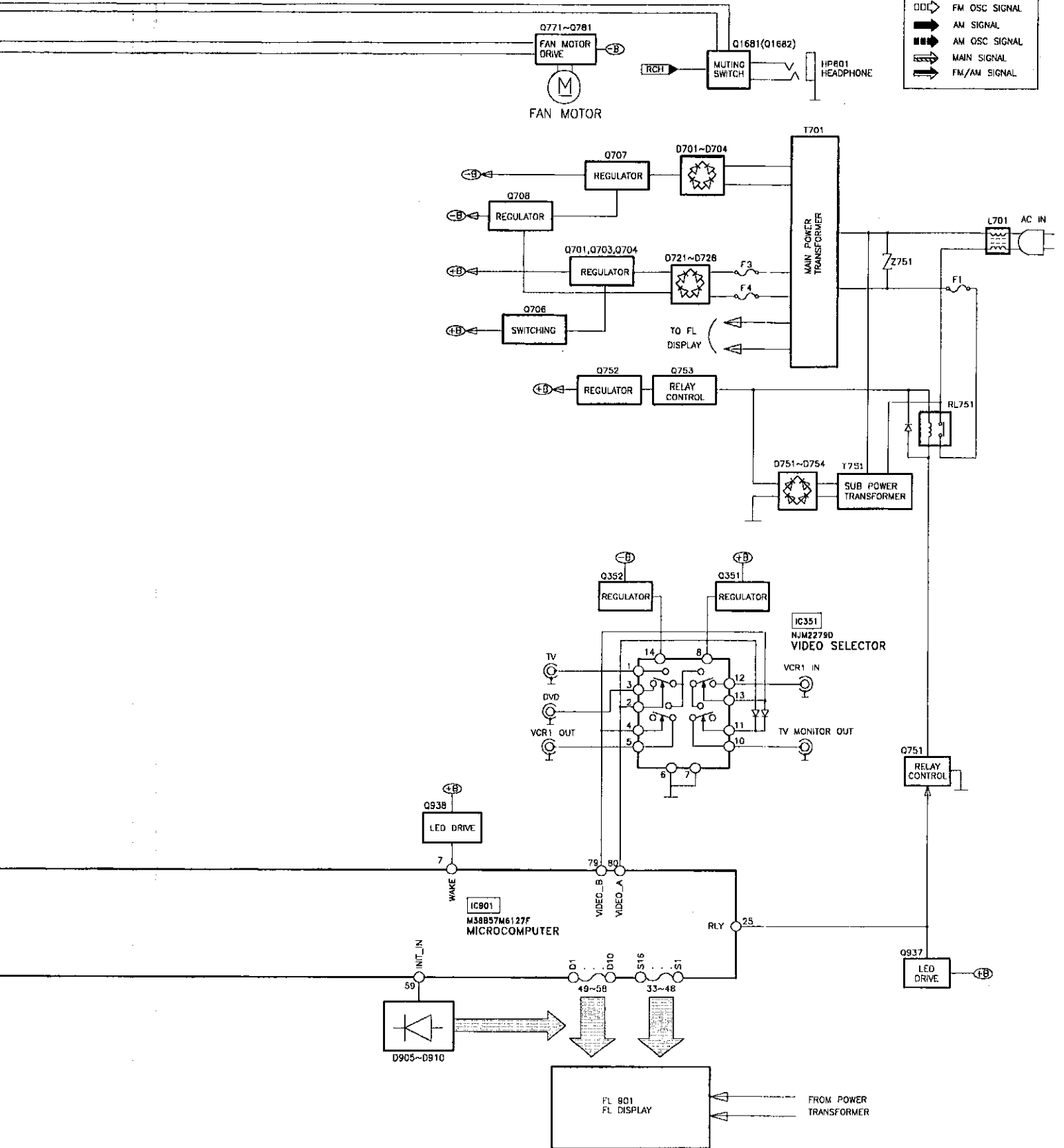
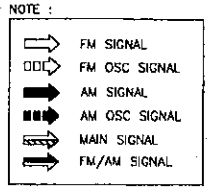












Schematic Diagram

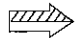
	Page		Page
A MAIN CIRCUIT	26 ~ 29	H OPERATION CIRCUIT	25
B PANEL CIRCUIT	30 ~ 33	I HEADPHONE JACK CIRCUIT	33
C TUNER CIRCUIT	40 ~ 41	J DSP CIRCUIT	34 ~ 35
E POWER CIRCUIT	25	K PRO LOGIC CIRCUIT	36 ~ 37
F TRANSFORMER CIRCUIT	25	L DTS MODULE CIRCUIT	38 ~ 39
G AC IN/OUT CIRCUIT	25	M SPEAKER CIRCUIT	25

(All schematic diagrams may be modified at any time with the development of new technology)

Note :

- | | |
|---|---------------------------------------|
| • S950 : Power switch | • S964 : Memory switch |
| • S951 : Speaker A select switch | • S965 : Band select switch |
| • S952 : DVD 6CH input switch | • S966 : FM mode switch |
| • S953 : Subwoofer select switch | • S967 : Speaker B select switch |
| • S954 : Digital signal processor on/
defeat select switch (display) | • S968 : Timer switch |
| • S955 : Tuning decrease switch | • S969 : Help / Reset switch |
| • S956 : Tuning increase switch | • VR501 : Volume control |
| • S957 : Tuning mode preset switch | • VR502 : Balance control |
| • S958 : Digital input select switch | • VR511 : Bass control |
| • S960 : Tape monitor select switch | • VR512 : Treble control |
| • S961 : PTY search switch | • VR901 : Digital input selector knob |
| • S962 : EON switch | • VR902 : DSP select knob |
| • S963 : RDS Display mode switch | • VR903 : Mode SFC on/off knob |

• Signal line

	: +B Line		: Main Signal Line
	: - B Line		: FM Signal Line
	: FM/AM Signal Line		: FM OSC Signal Line
	: AM Signal Line		
	: AM OSC Signal Line		

- The voltage value and waveforms are the reference voltage of this unit measured by DC electronic voltmeter (high impedance) and oscilloscope on the basis of chassis. Accordingly, there may arise some error in voltage values and waveforms depending upon the internal impedance of the tester or the measuring unit.

< > : FM

• Importance safety notice:

Components identified by Δ mark have special characteristics important for safety. Furthermore, special parts which have purposes of fire-retardant (resistors), high-quality sound (capacitors), low-noise (resistors), etc. are used. When replacing any of components, be sure to use only manufacturer's specified parts shown in the parts list.

Caution !

IC, LSI and VLSI are sensitive to static electricity.

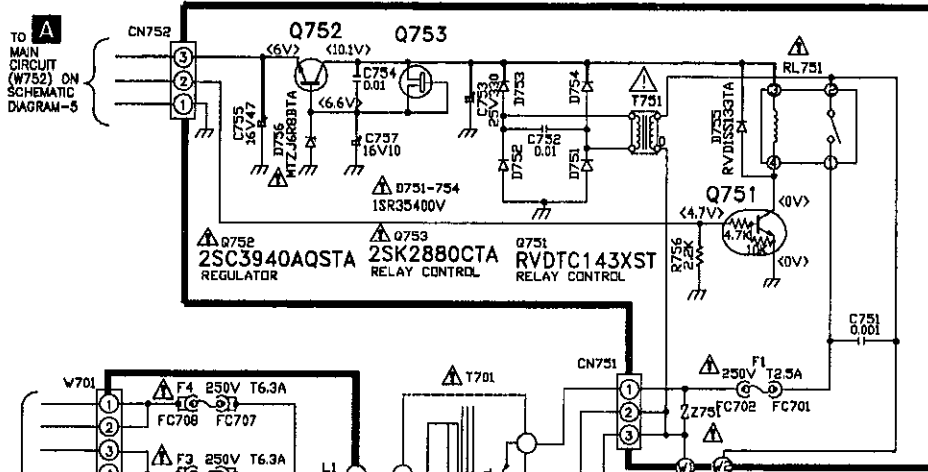
Secondary trouble can be prevented by taking care during repair.

- Cover the parts boxes made of plastics with aluminium foil.
- Ground the soldering iron.
- Do not touch the pins of IC, LSI or VLSI with fingers directly.
- Put a conductive mat on the work table.

SCHEMATIC DIAGRAM - 1

— : +B line

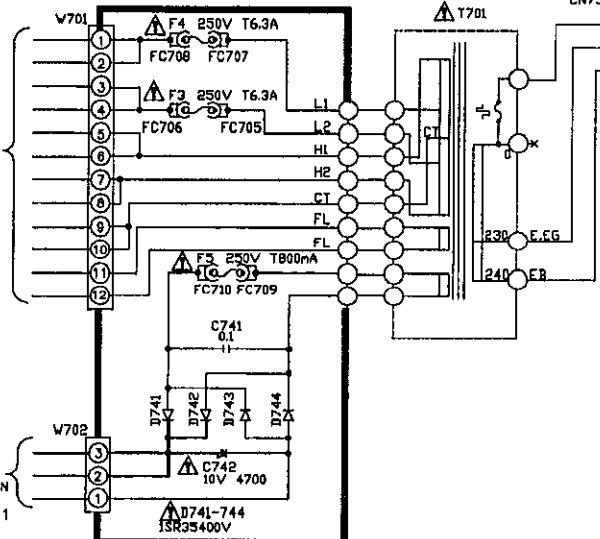
E POWER CIRCUIT
(P.C.BOARD ON PAGE 50)



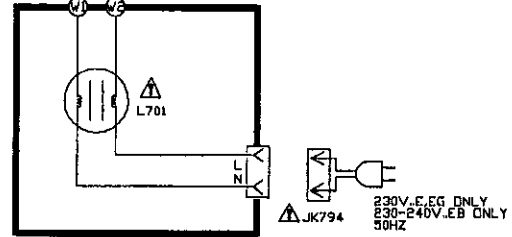
TO MAIN CIRCUIT (W701) ON SCHEMATIC DIAGRAM-5

TO DSP CIRCUIT (CN702) ON SCHEMATIC DIAGRAM-11

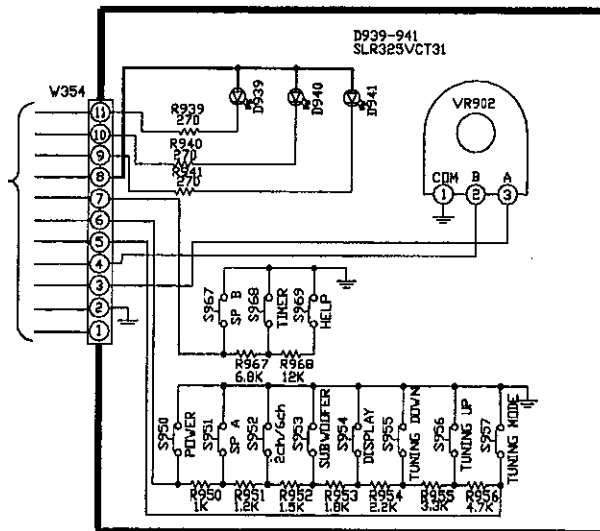
F TRANSFORMER CIRCUIT
(P.C.BOARD ON PAGE 50)



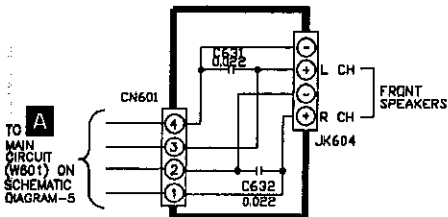
G AC IN/OUT CIRCUIT
(P.C.BOARD ON PAGE 45)



H OPERATION CIRCUIT
(P.C.BOARD ON PAGE 48)



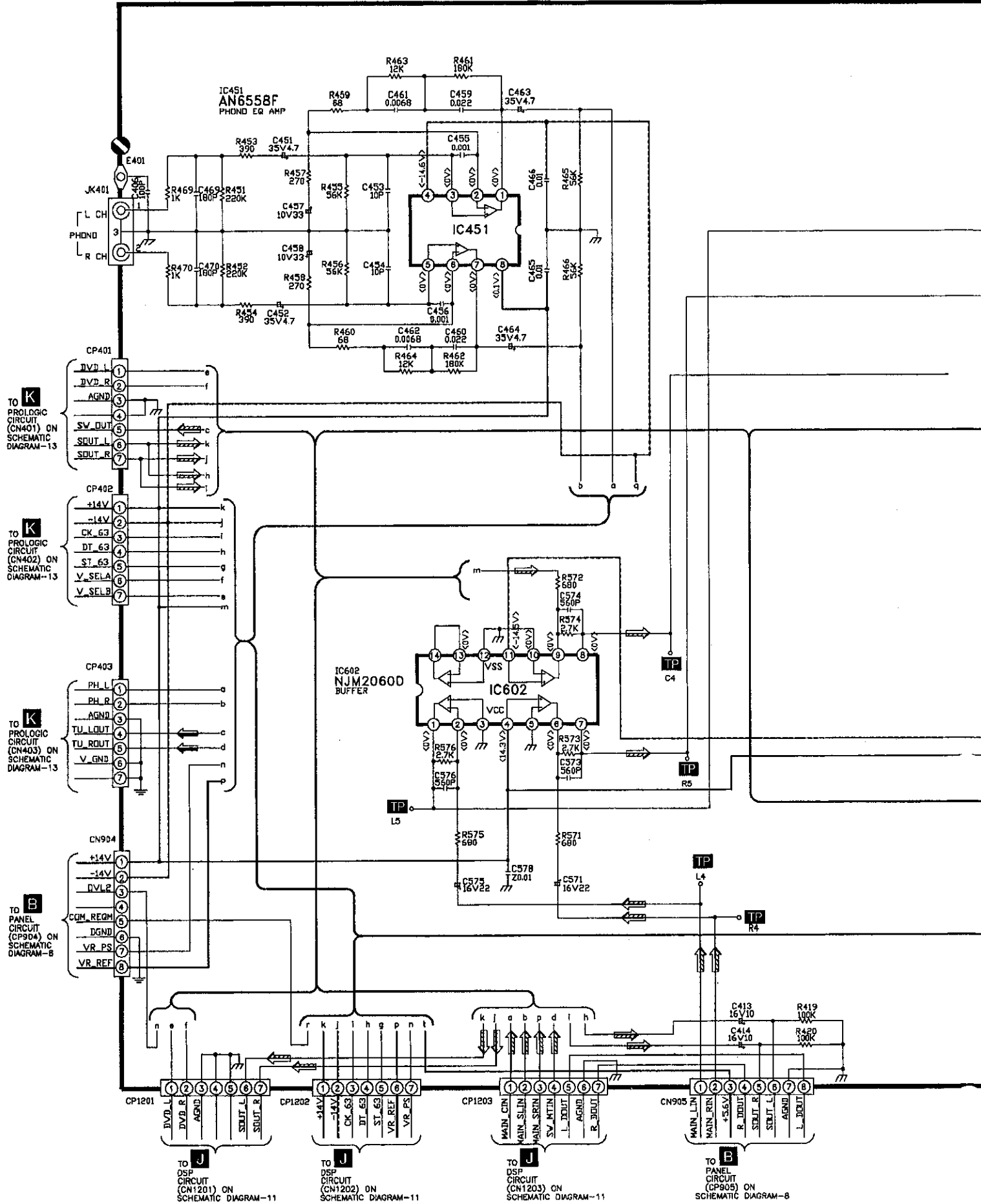
M SPEAKER CIRCUIT
(P.C.BOARD ON PAGE 44)



SCHEMATIC DIAGRAM - 2

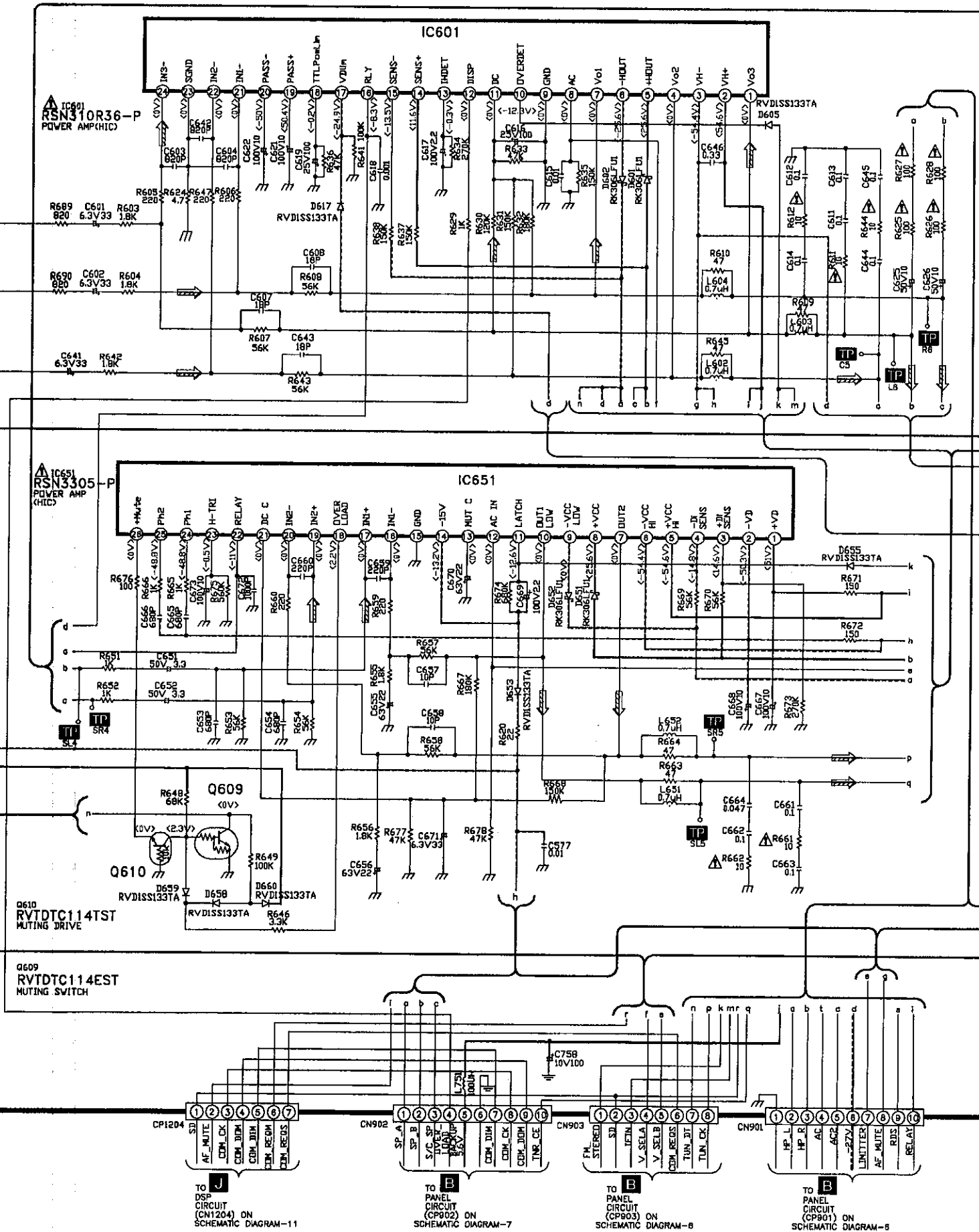
A MAIN CIRCUIT
(P.C.BOARD ON PAGE 42)

— : +B line ⇨ : Main signal line
 - - - : -B line ⇨ : FM/AM signal line



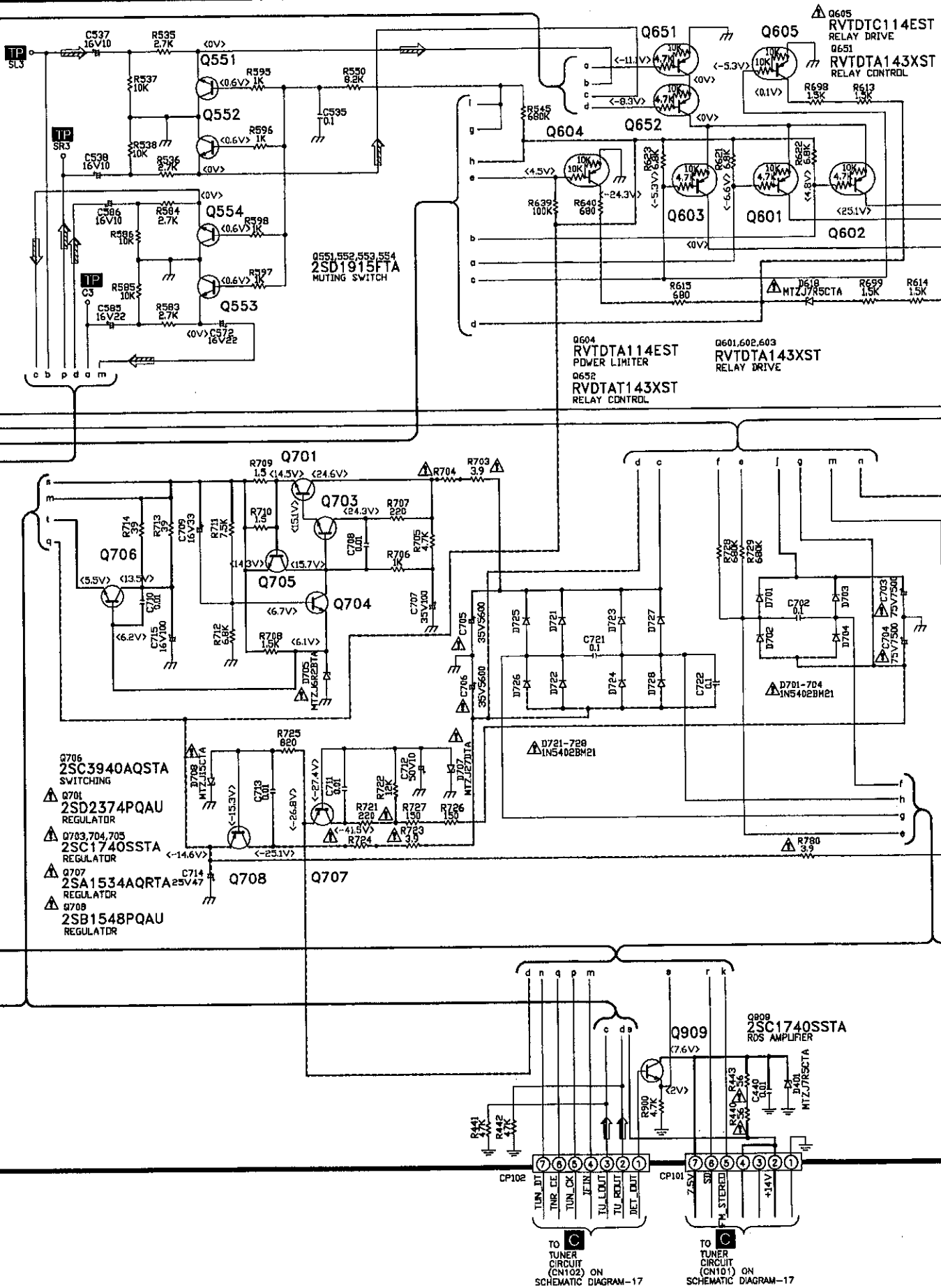
SCHEMATIC DIAGRAM - 3

— : +B line ⇨ : Main signal line
- - - : -B line



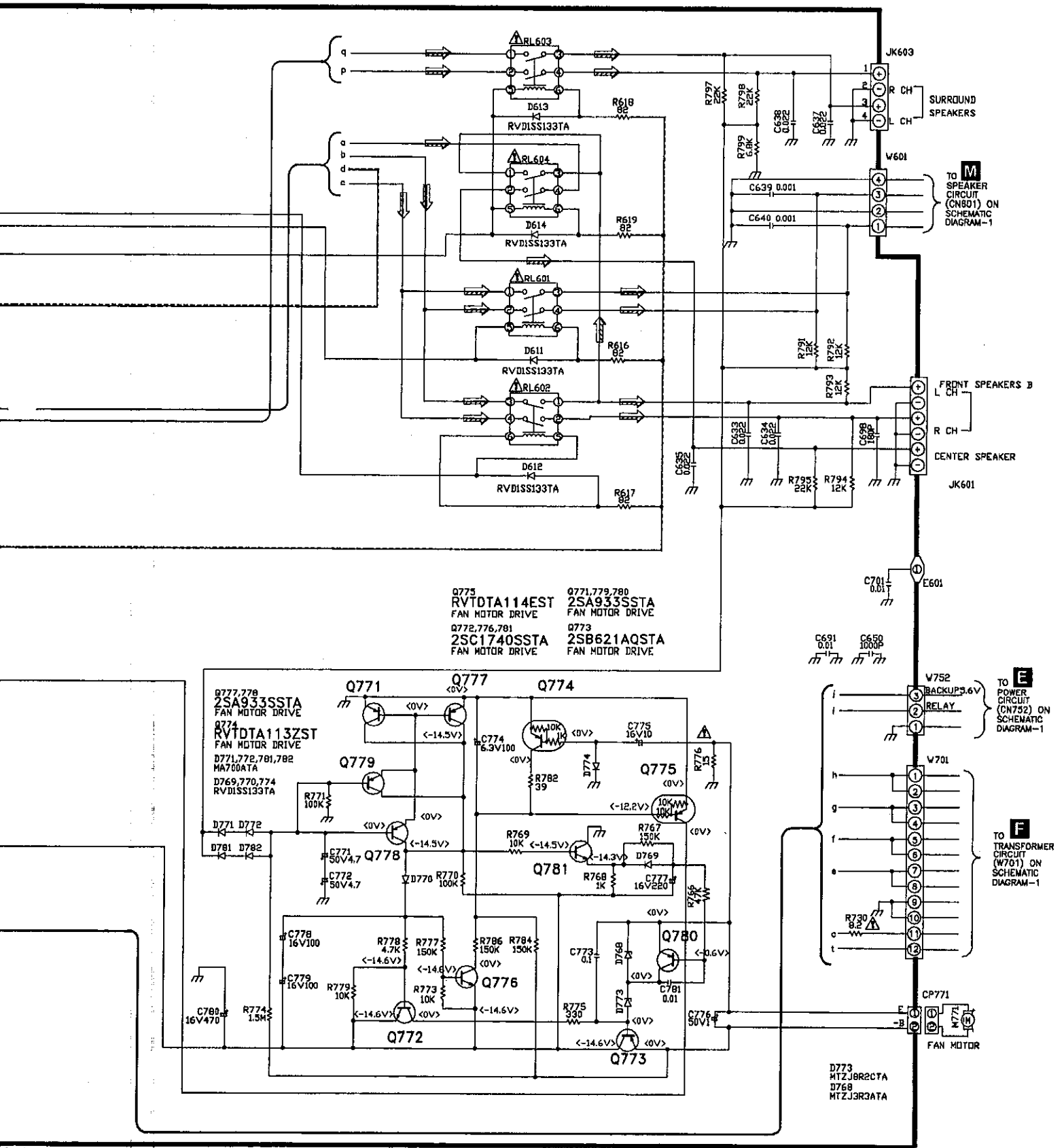
SCHEMATIC DIAGRAM - 4

— : +B line ⇨ : Main signal line
 - - - - : -B line ⇨ : FM/AM signal line



SCHEMATIC DIAGRAM - 5

— : +B line ⇒ : Main signal line
 - - - - : -B line



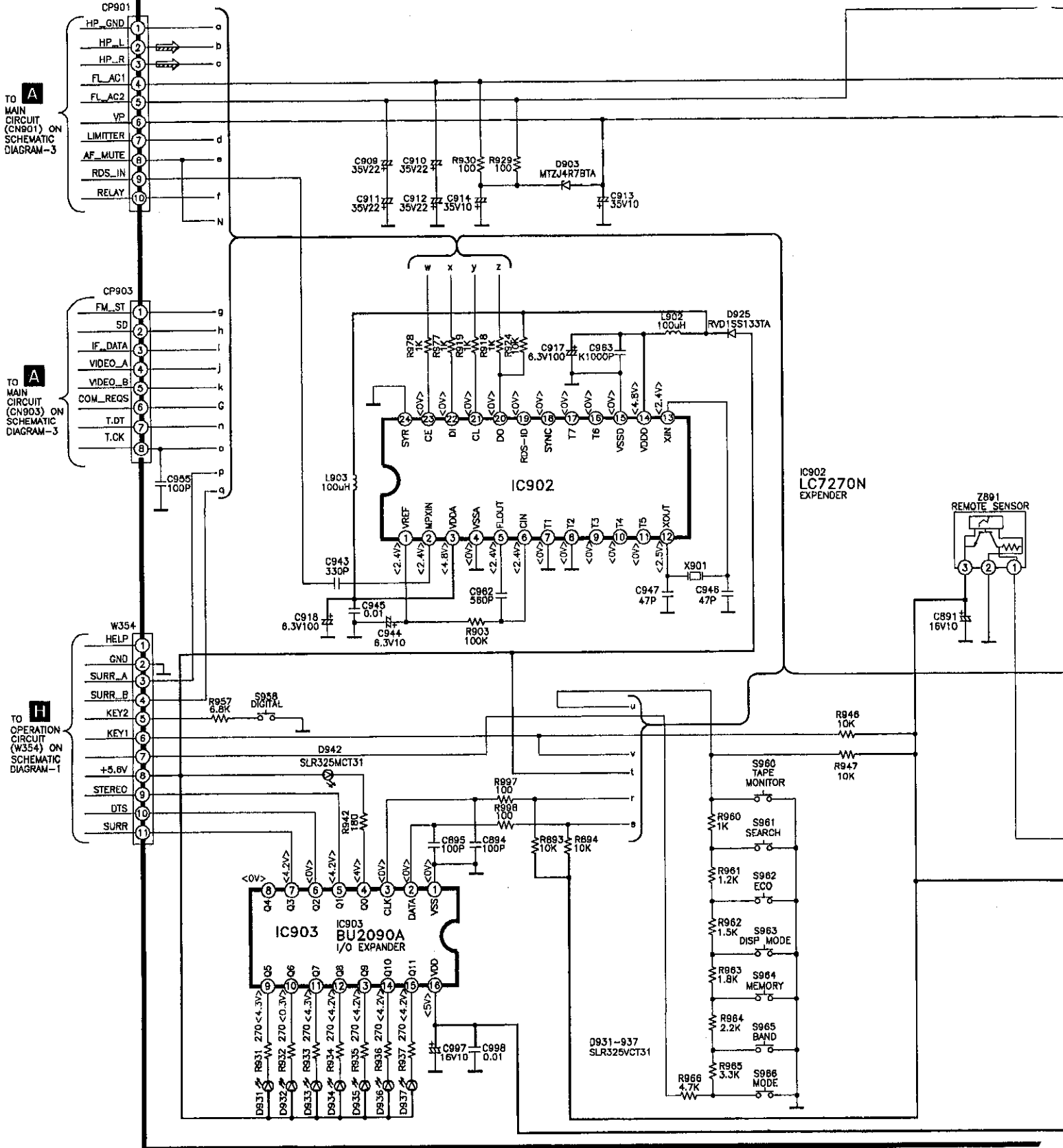
SCHEMATIC DIAGRAM - 6

B PANEL CIRCUIT (P.C.BOARD ON PAGE 44)

— : +B Line

- - - : -B Line

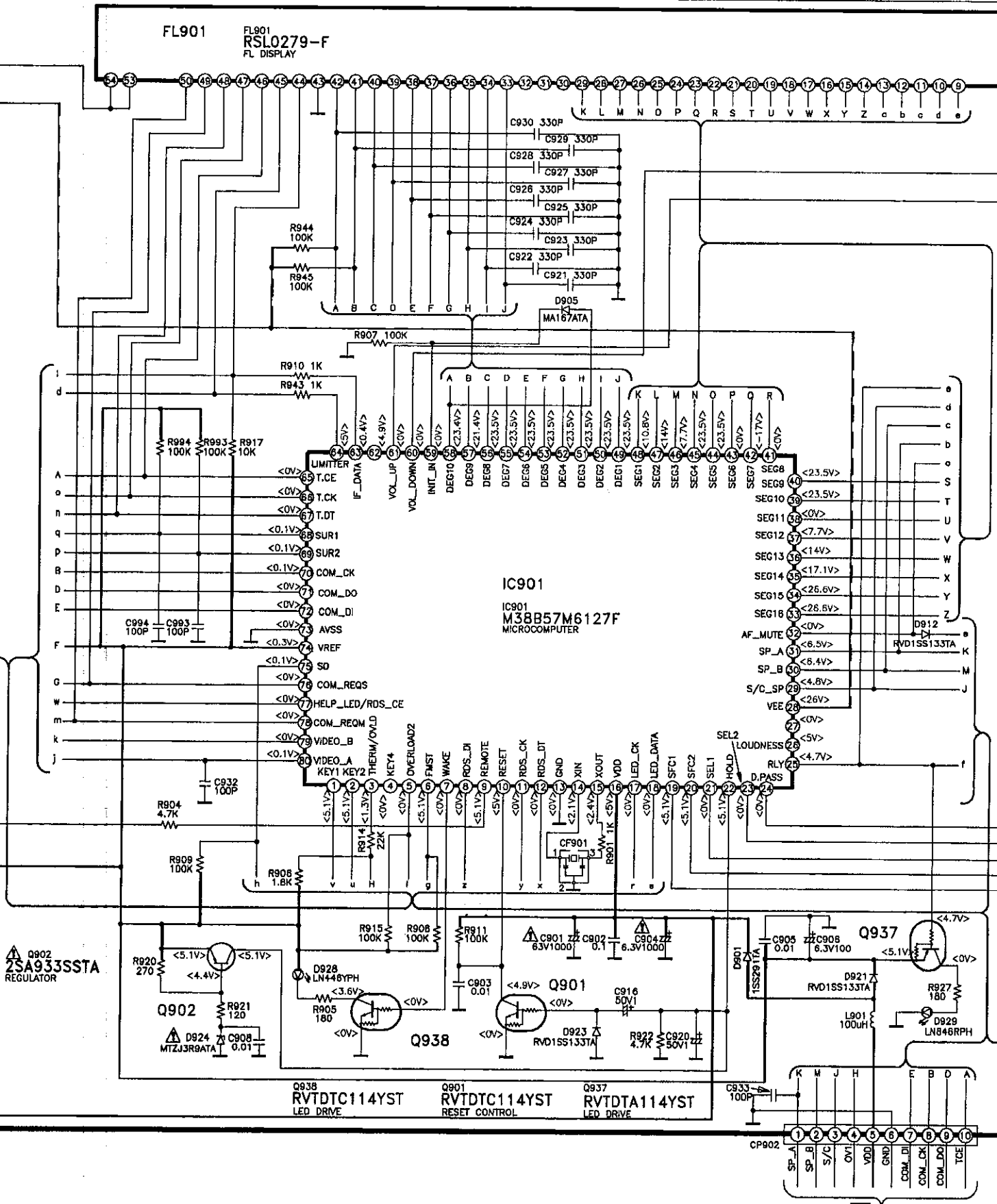
⇒ : Main Signal Line



SCHEMATIC DIAGRAM - 7

— : +B Line

- - - - - : -B Line

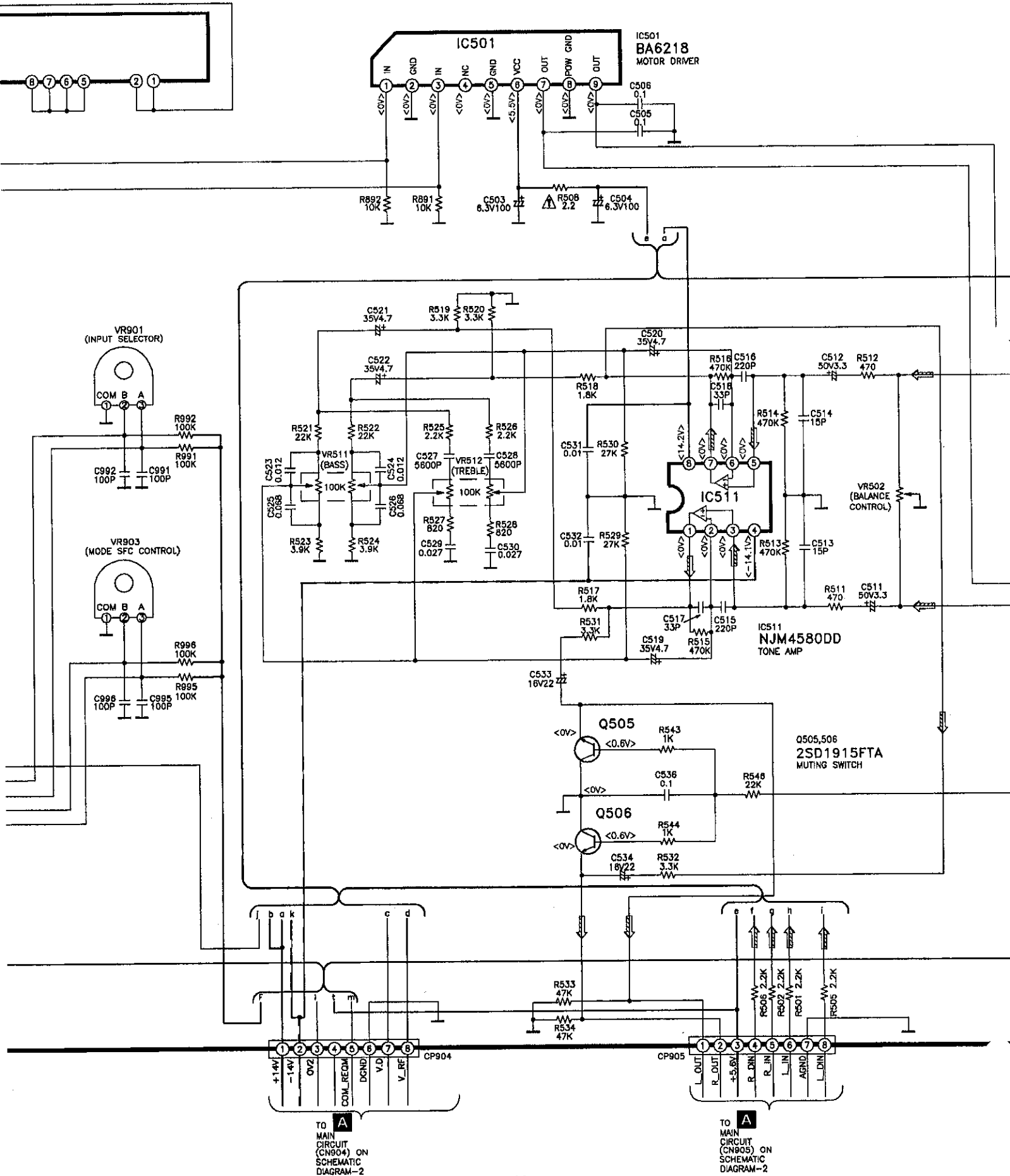


TO MAIN CIRCUIT (CN902) ON SCHEMATIC DIAGRAM-3

----- : +B Line

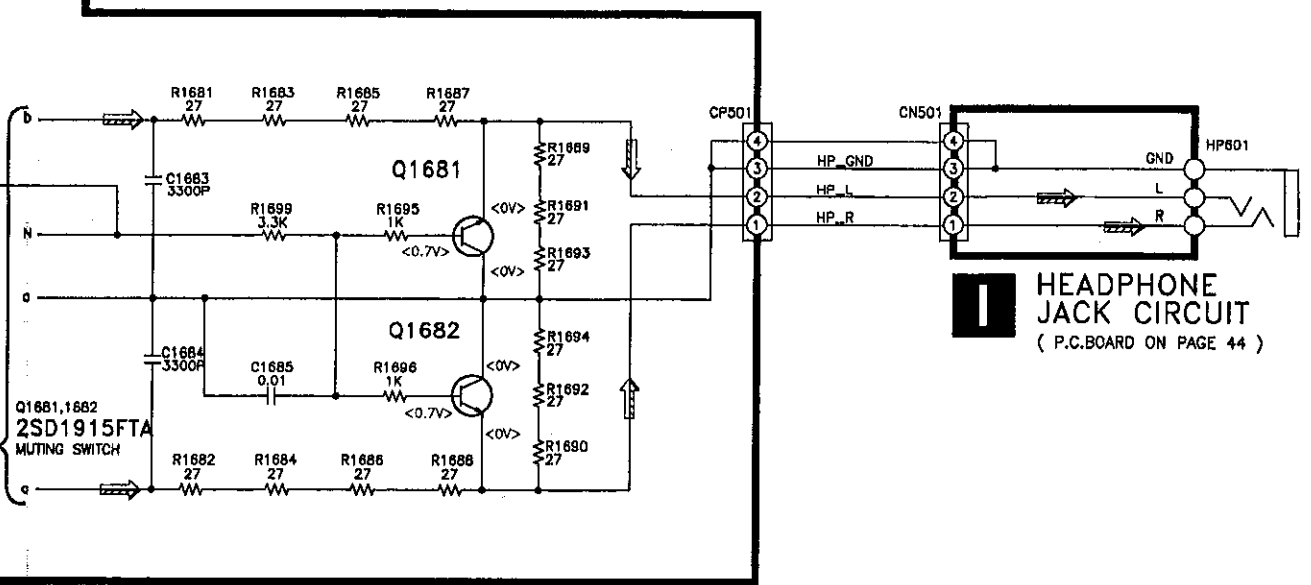
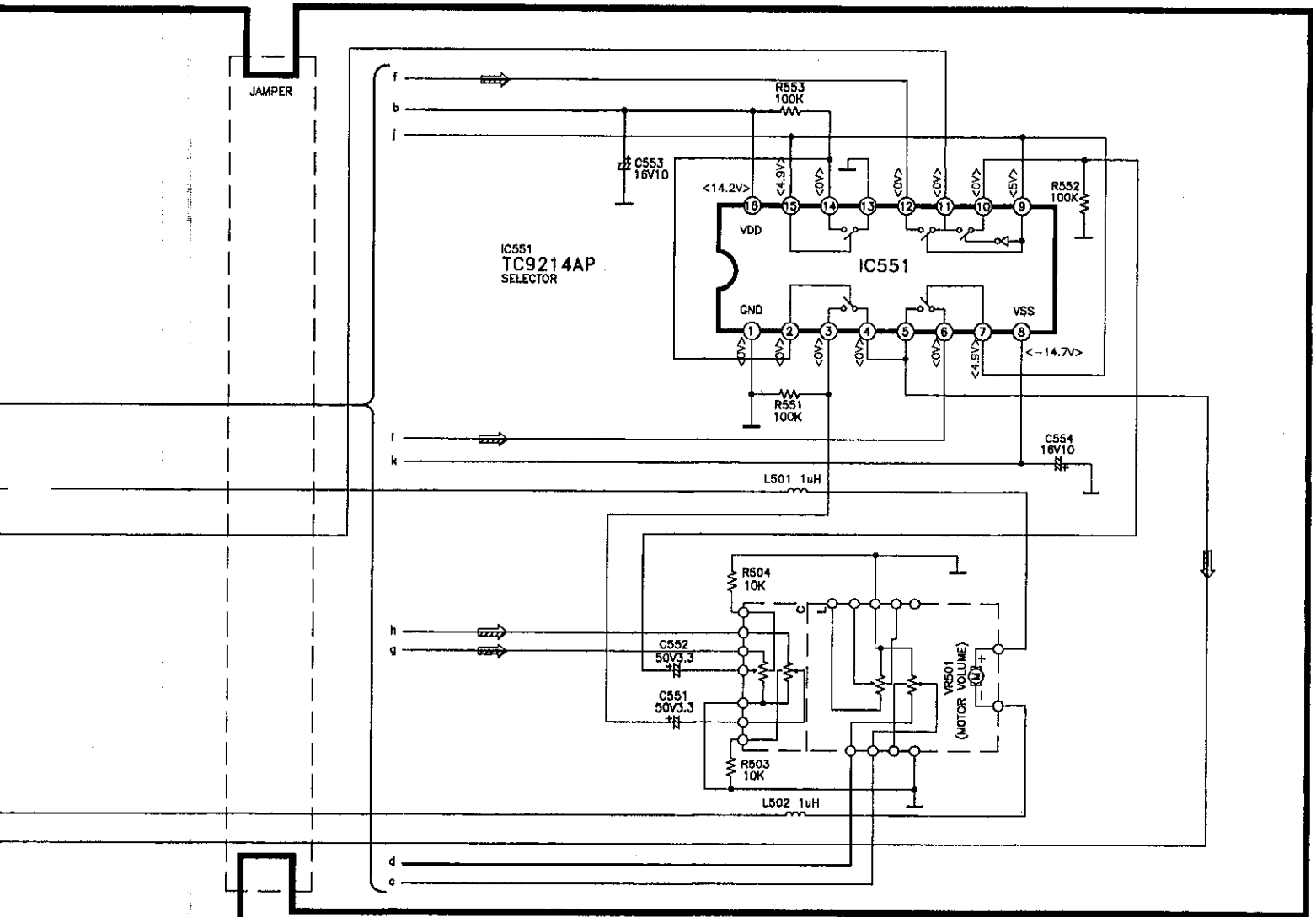
----- : -B Line

⇒ : Main Signal Line



SCHEMATIC DIAGRAM - 9

————— : +B Line - - - - - : -B Line ⇒ : Main Signal Line

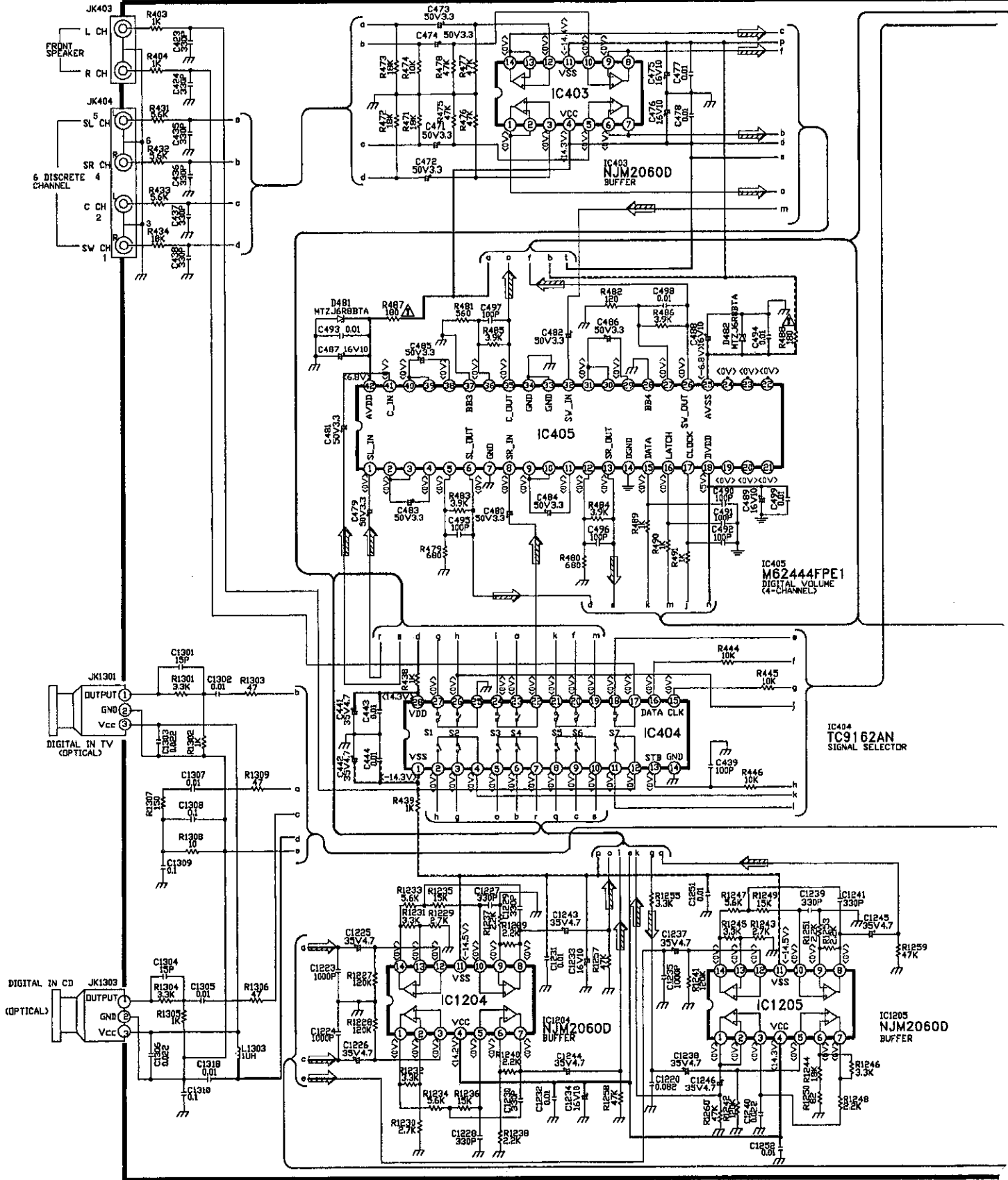


HEADPHONE JACK CIRCUIT
(P.C.BOARD ON PAGE 44)

SCHEMATIC DIAGRAM - 10

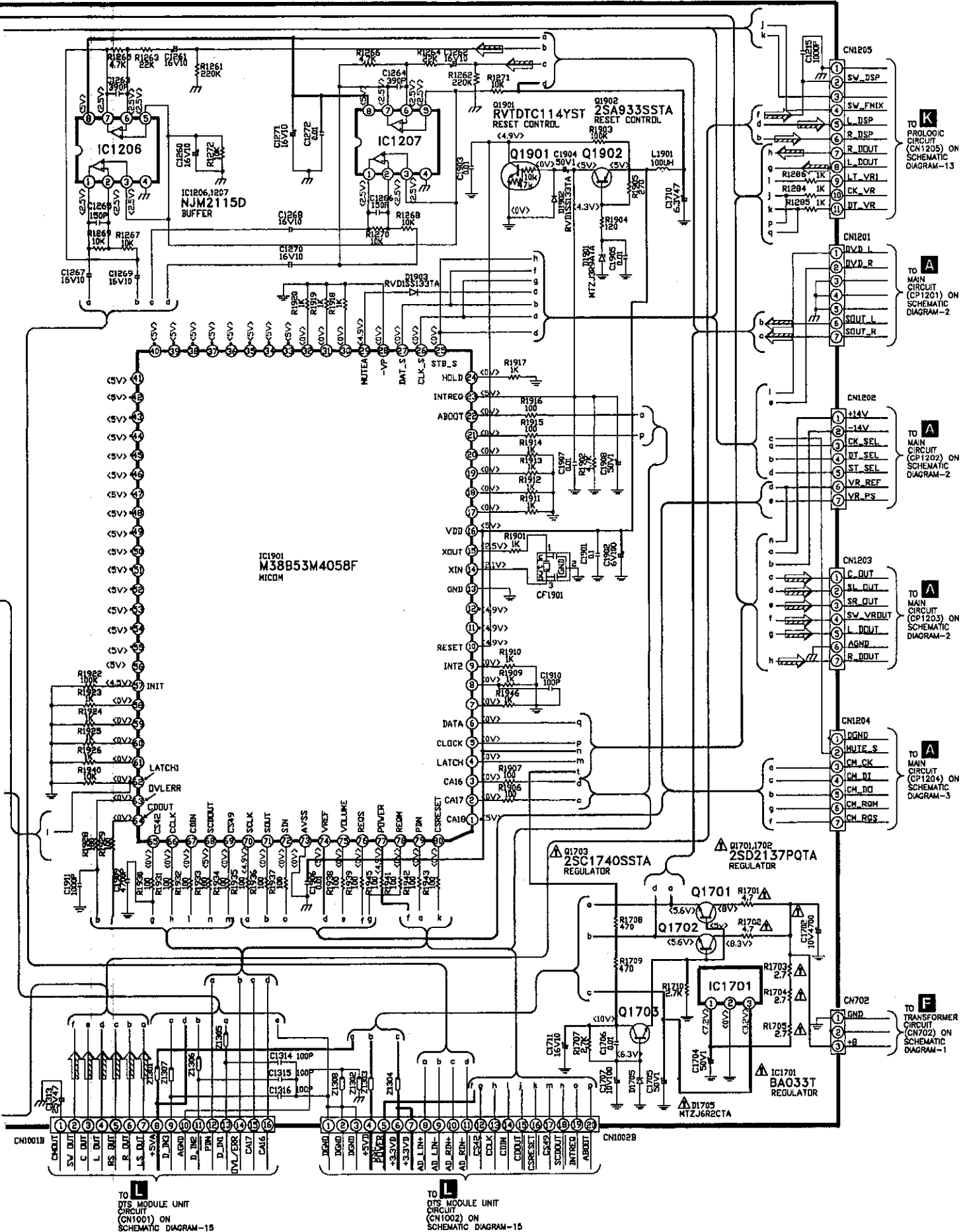
J DSP CIRCUIT (P.C.BOARD ON PAGE 46)

— : +B line - - - - : -B line \Rightarrow : Main signal line



SCHEMATIC DIAGRAM - 11

— : +B line - - - - : -B line \Rightarrow : Main signal line

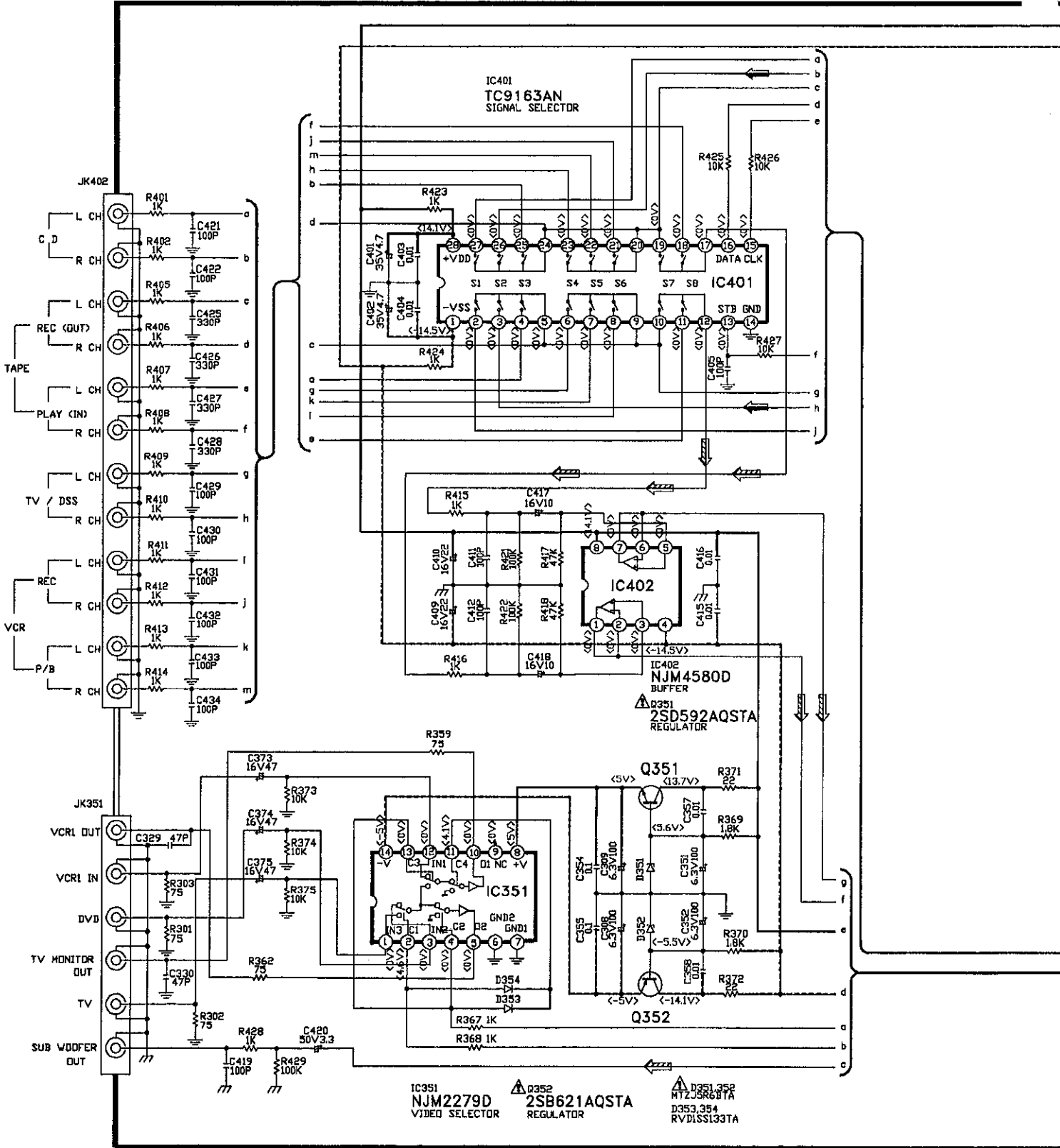


TO DTS MODULE UNIT
CIRCUIT (CN1001) ON
SCHEMATIC DIAGRAM-15

TO DTS MODULE UNIT
CIRCUIT (CN1002) ON
SCHEMATIC DIAGRAM-15

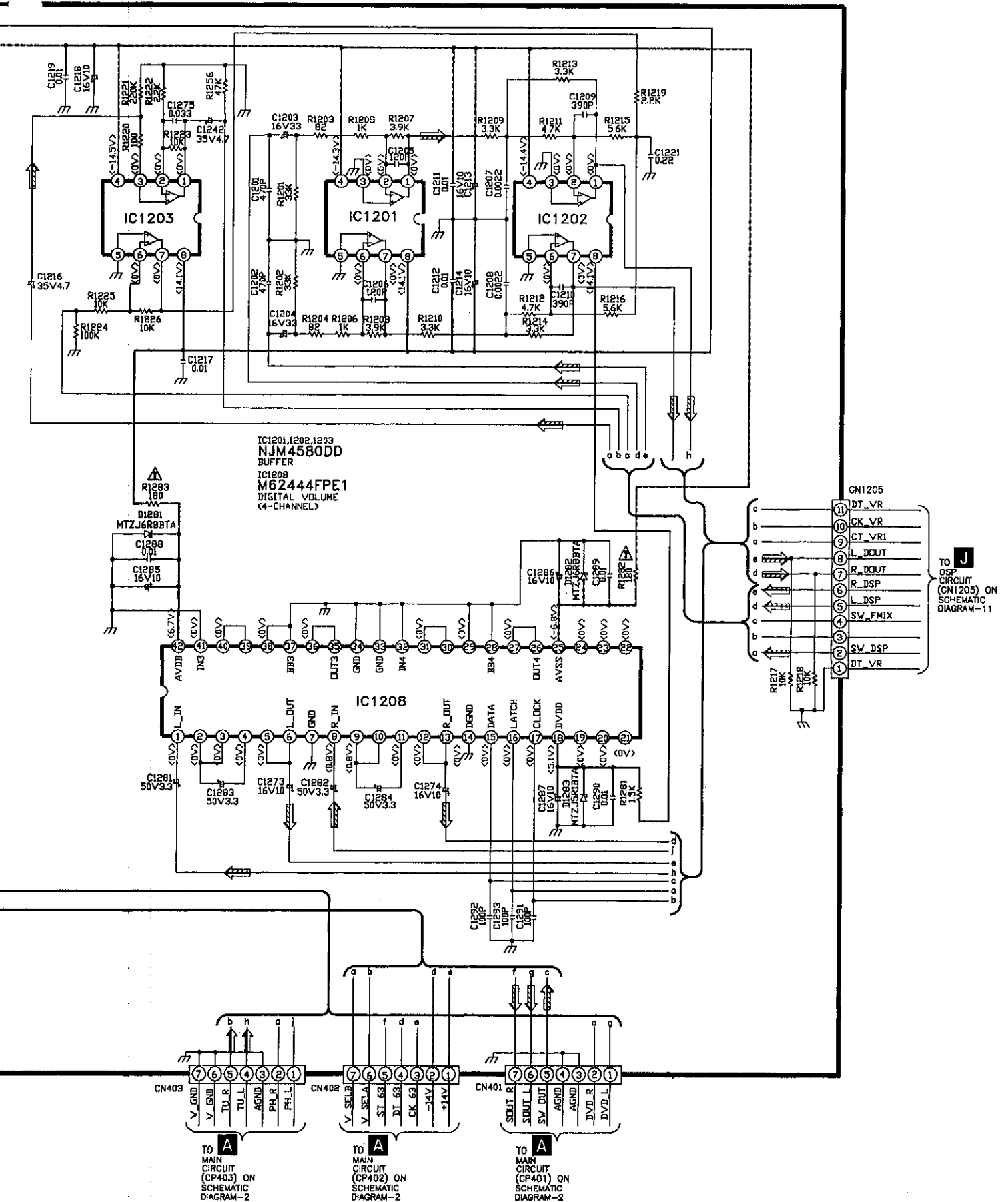
K PRO LOGIC CIRCUIT (P.C.BOARD ON PAGE 47)

— : +B line ⇨ : Main signal line
 - - - - : -B line ⇨ : FM/AM signal line



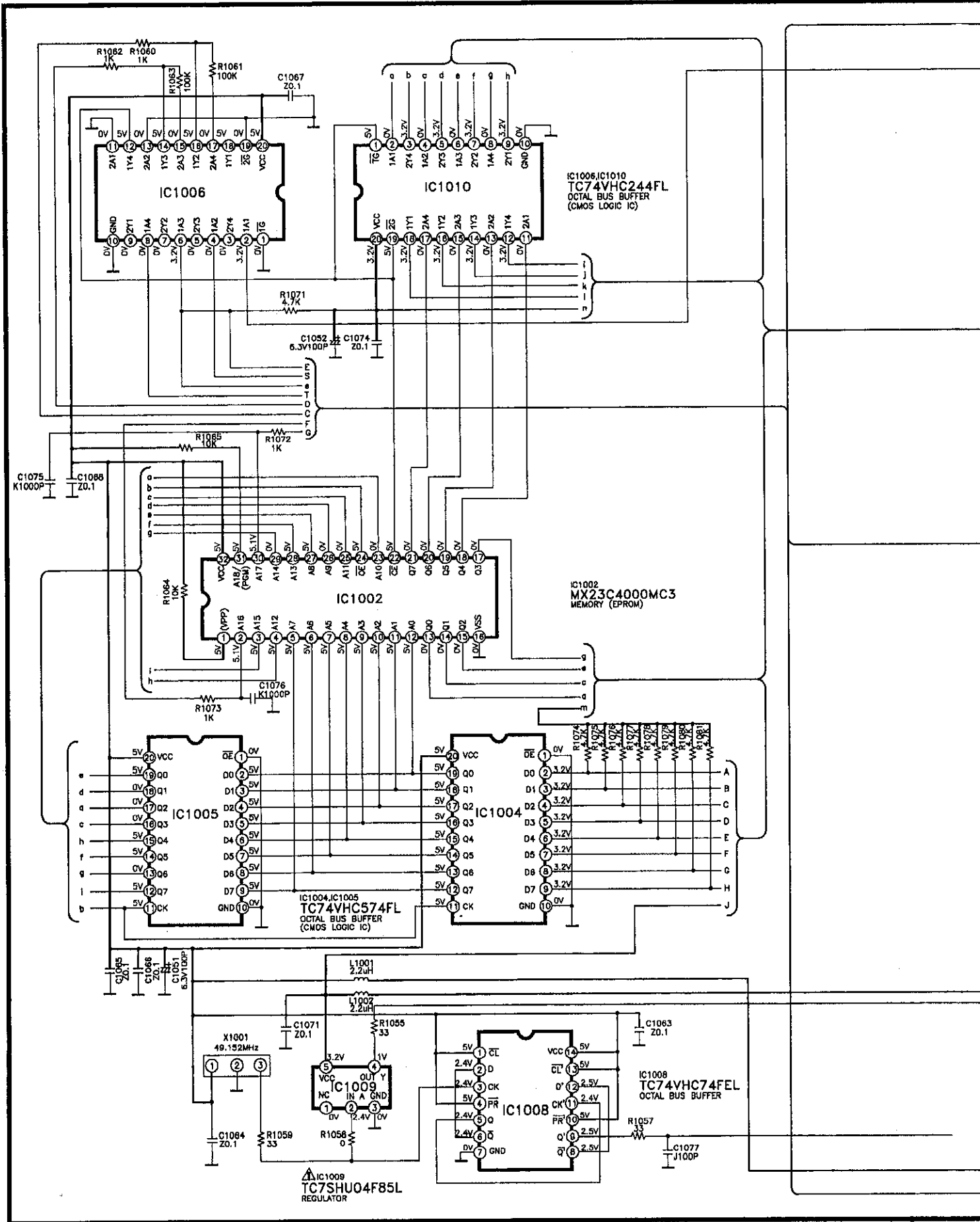
SCHEMATIC DIAGRAM - 13

— : +B line ⇨ : Main signal line
 - - - : -B line ⇨ : FM/AM signal line



— : +B Line

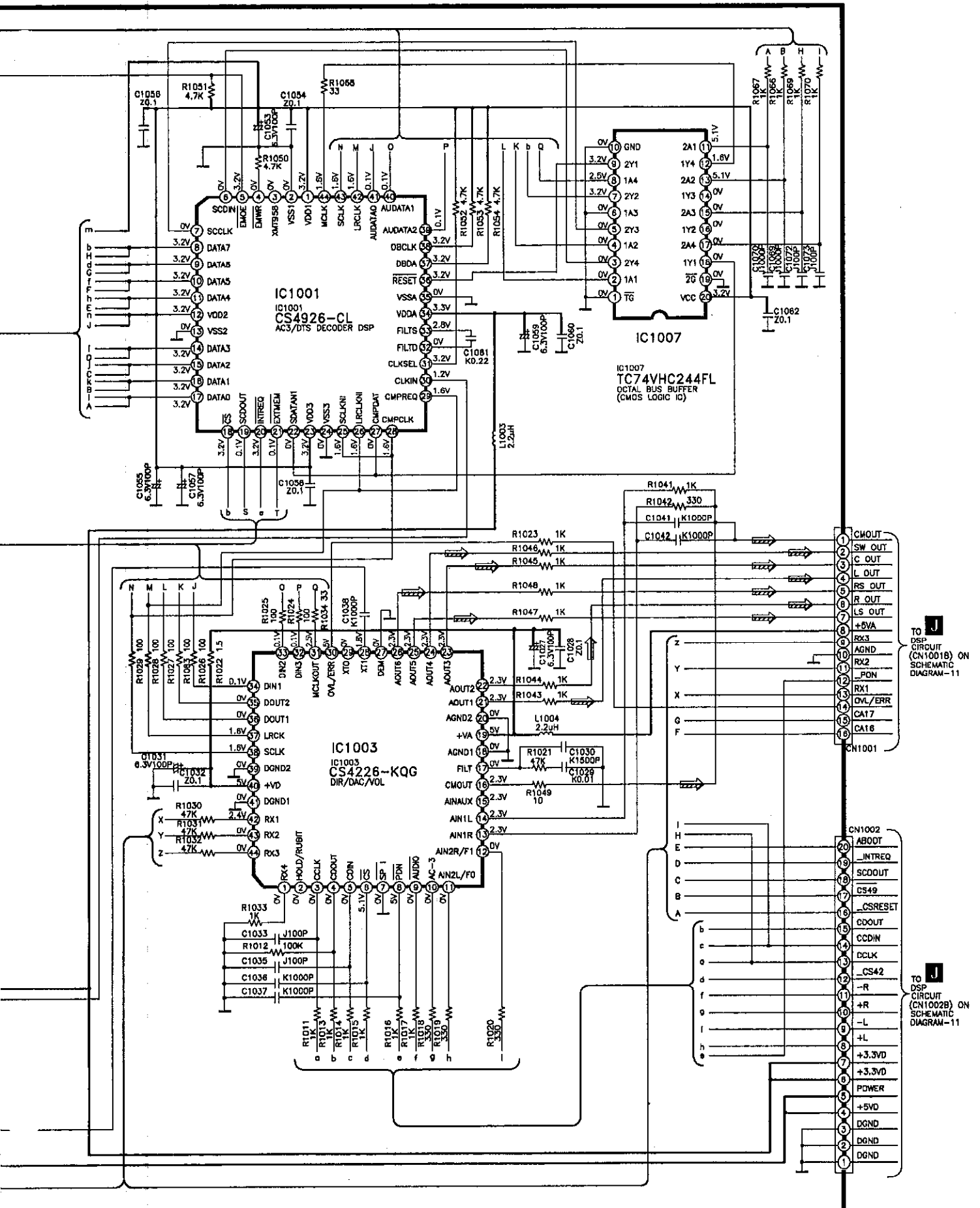
L DTS MODULE CIRCUIT (P.C.BOARD ON PAGE 49)



SCHEMATIC DIAGRAM - 15

— : +B Line

⇒ : Main Signal Line

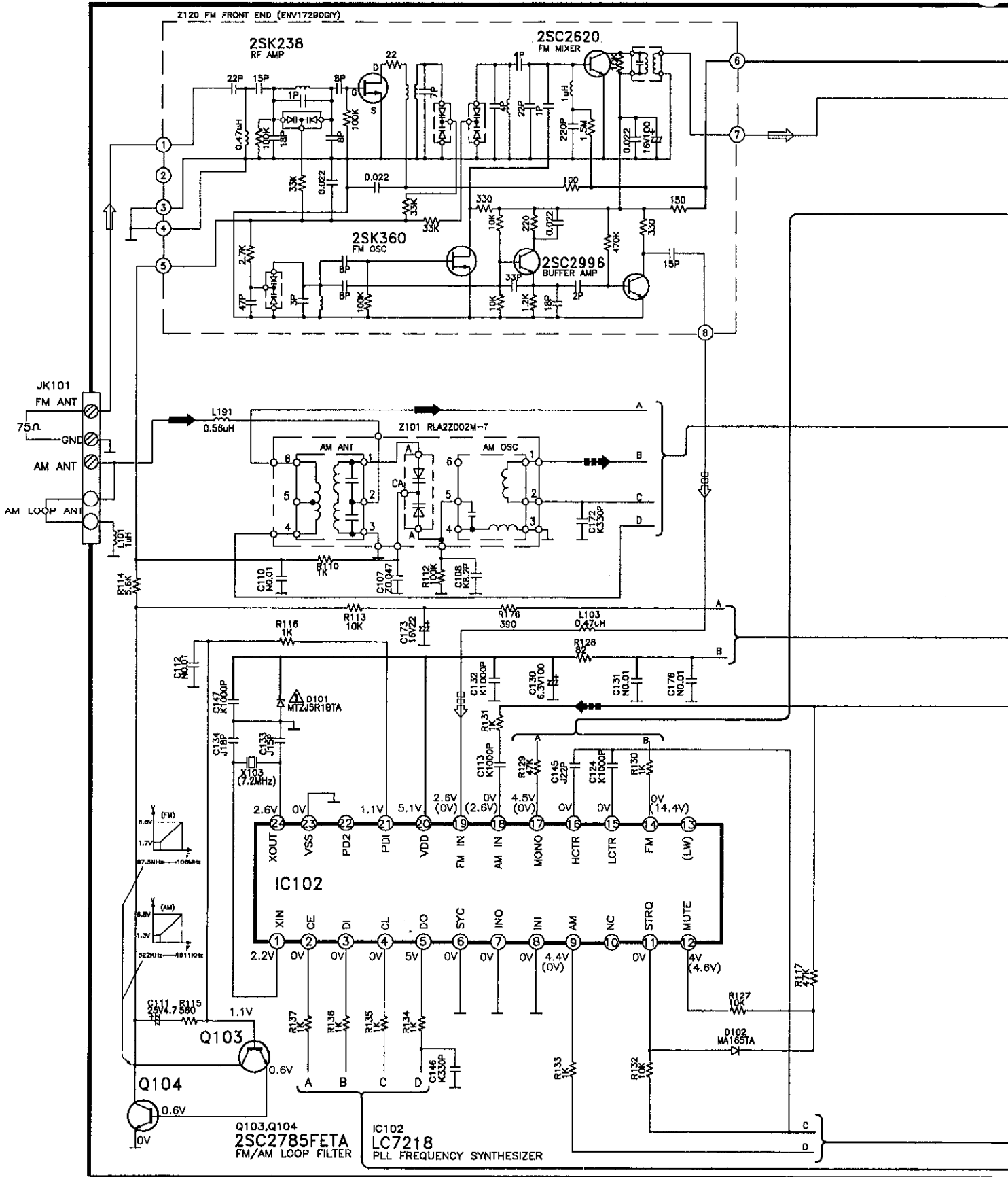


TO DSP CIRCUIT (CN1001B) ON SCHEMATIC DIAGRAM-11

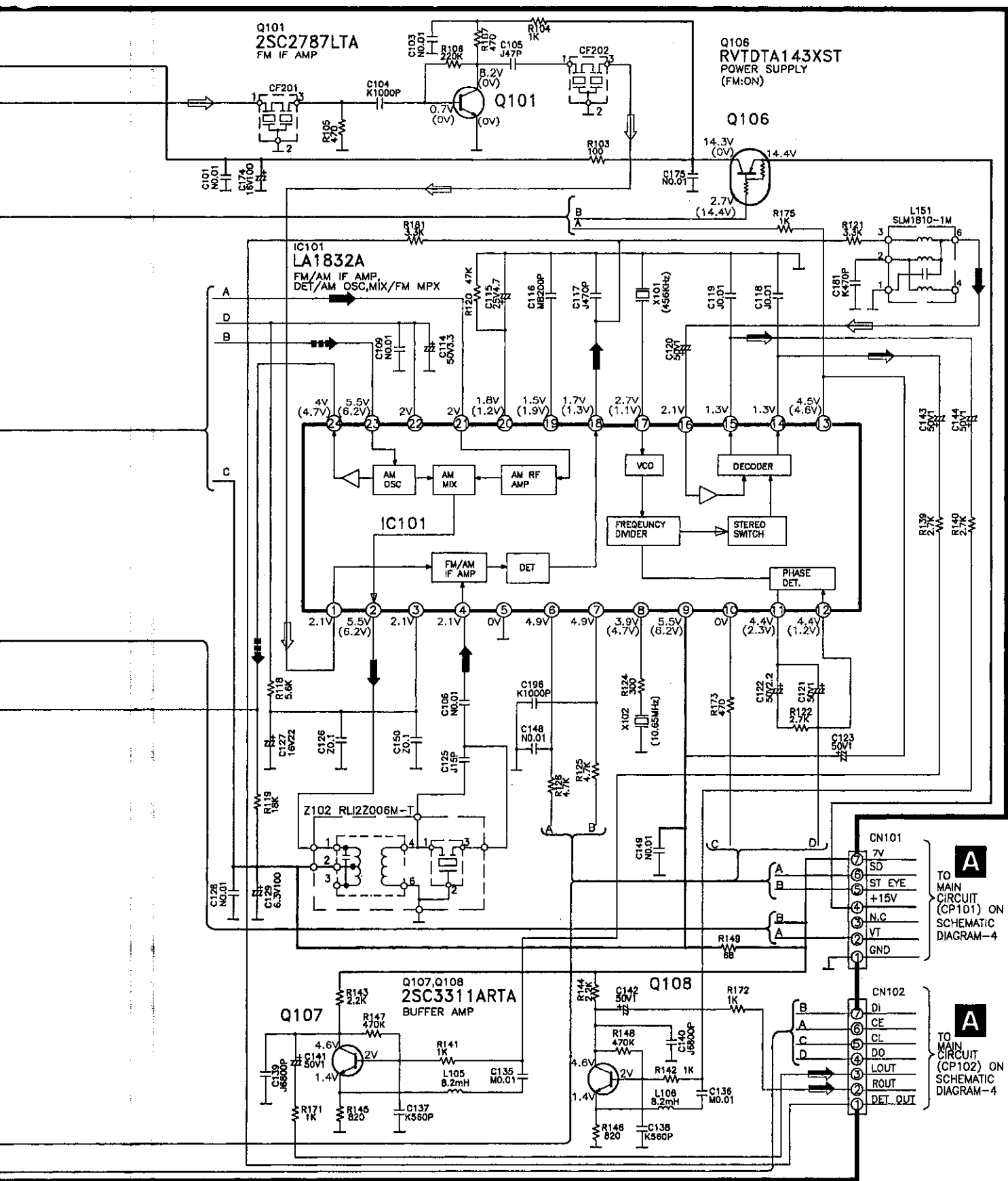
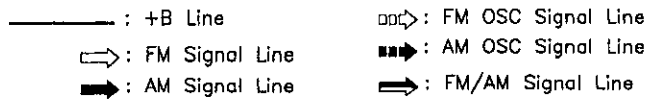
TO DSP CIRCUIT (CN1002B) ON SCHEMATIC DIAGRAM-11

C TUNER CIRCUIT
(P.C.B BOARD ON PAGE 48)

- ⇨ : FM Signal Line ⇨⇨ : FM OSC Signal Line
- ➡ : AM Signal Line ➡➡ : AM OSC Signal Line
- : +B Line



SCHEMATIC DIAGRAM - 17



A B C D E F G H

A MAIN P.C.B. (REP2788B-M)

1

2

3

4

5

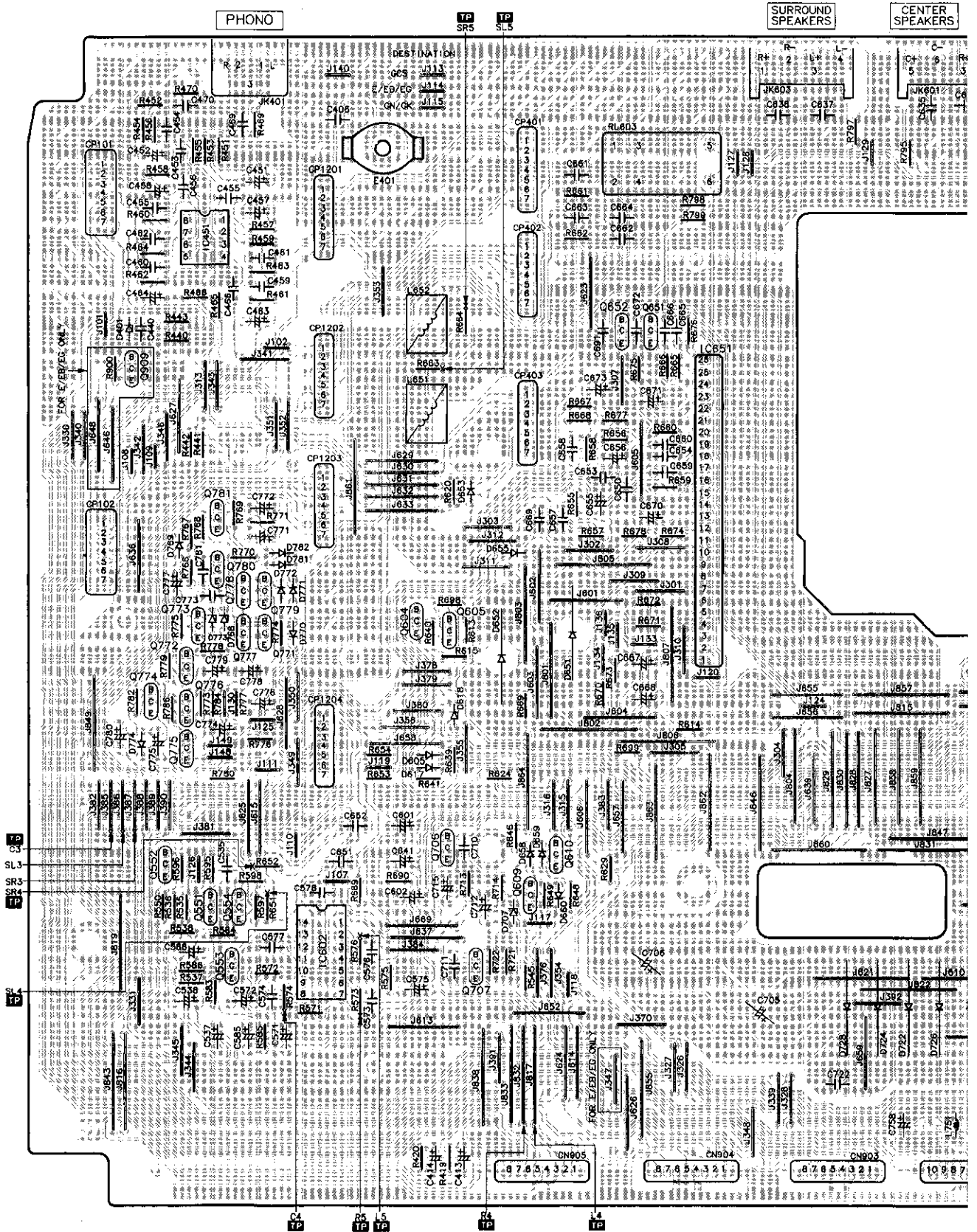
6

7

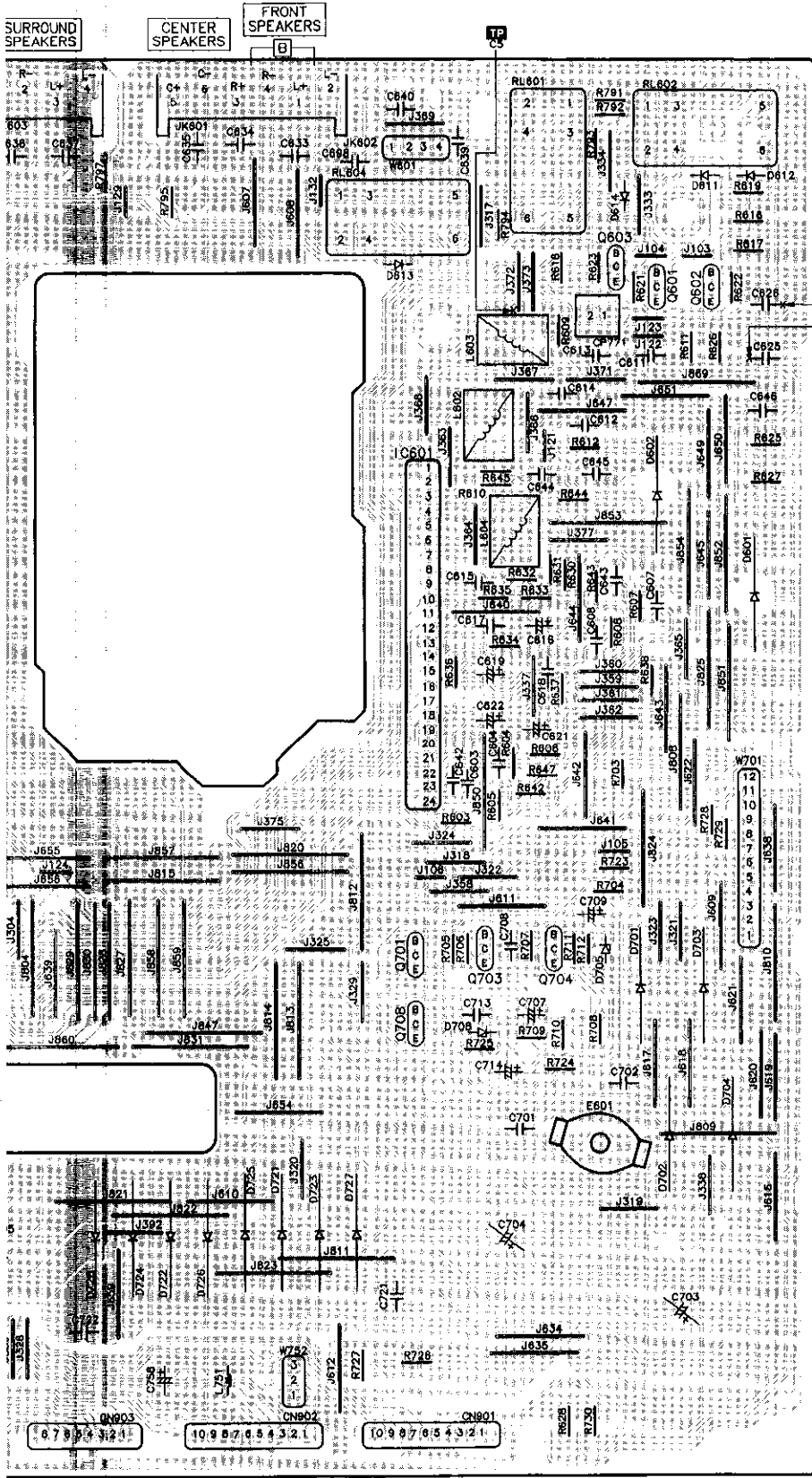
8

9

10



G H I J K L M



Electrical Parts Locations Table

Ref. No	Loc. No	Ref. No	Loc. No
CN901	I9	E401	D2
CN902	H9	E601	I7
CN903	G9	IC451	B3
CN904	F9	IC801	I4
CN905	E9	IC802	C8
CP101	B2	IC851	F4
CP102	B5	JK401	C2
CP1201	C2	JK601	H2
CP1202	C3	JK602	I2
CP1203	C4	JK603	F2
CP1204	C6	L802	I3
CP401	E2	L803	I3
CP402	E3	L804	I4
CP403	E4	L851	D4
CP771	J3	L852	D3
D401	B3	L751	H9
D601	K4	C551	B7
D802	J4	C552	B7
D805	D6	C553	C8
D811	K2	C554	C7
D812	K2	Q801	J3
D813	I2	Q802	K3
D814	J2	Q803	I2
D817	D7	Q804	D5
D818	D6	Q805	D6
D851	E6	Q809	E7
D852	D6	Q810	E7
D853	D4	Q851	F3
D855	E5	Q852	E3
D858	E7	Q701	I6
D859	E7	Q703	I6
D860	E7	Q704	J6
Q701	J7	Q705	L7
Q702	J8	Q706	D7
Q703	K7	Q707	D8
Q704	K8	Q708	I7
Q705	J8	Q771	C6
Q707	E8	Q772	B6
Q708	I7	Q773	B6
Q721	H8	Q774	B6
Q722	G8	Q775	B6
Q723	H8	Q776	B6
Q724	G8	Q777	C6
Q725	H8	Q778	B5
Q726	H8	Q779	C5
Q727	H8	Q780	C5
Q728	G8	Q781	B5
Q768	B6	Q909	B4
Q769	B5	RL801	J2
Q770	C6	RL802	J2
Q771	C5	RL803	E2
Q772	C5	RL804	H2
Q773	B6	W601	I2
Q774	B6	W701	K6
Q781	C5	W752	H9
Q782	C5		

A B C D E F G H

1

B PANEL P.C.B. (REP2789B-S)

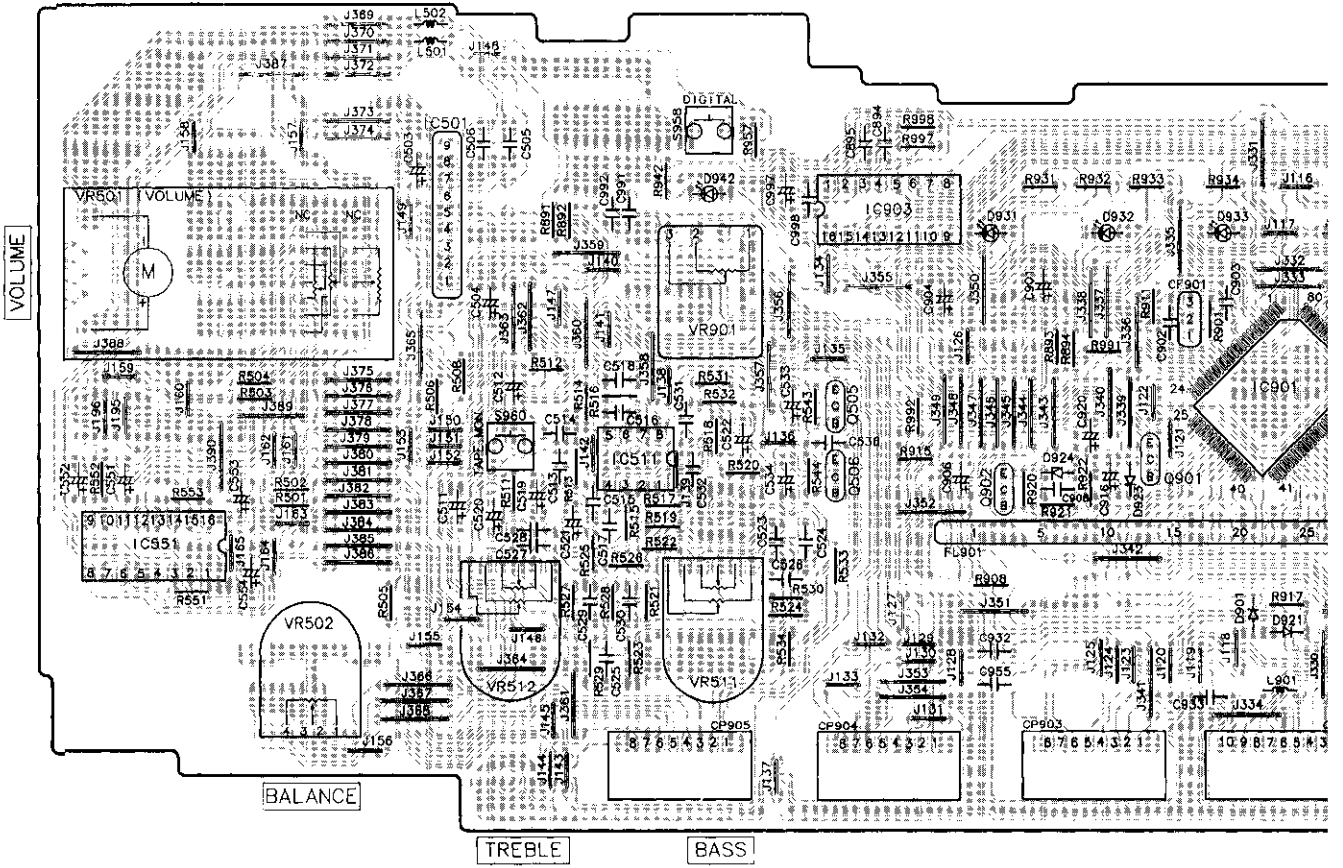
2

3

4

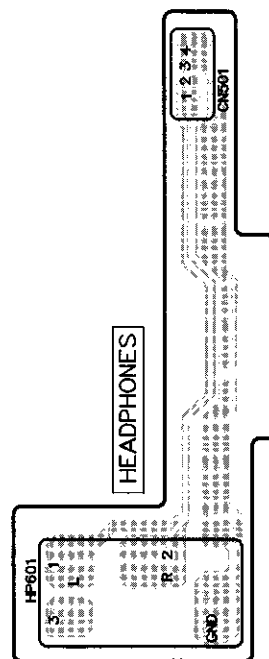
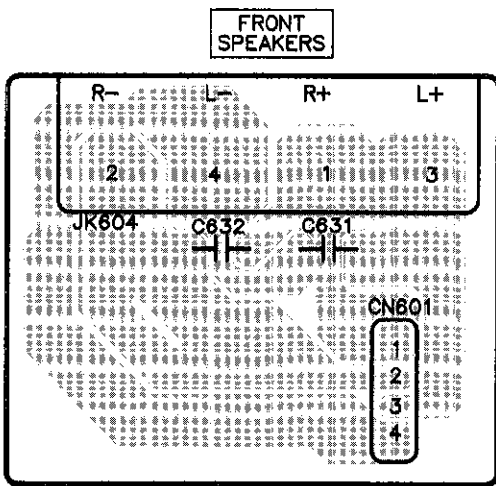
5

6



I HEADPHONE JACK P.C.B. (REP2789B-S)

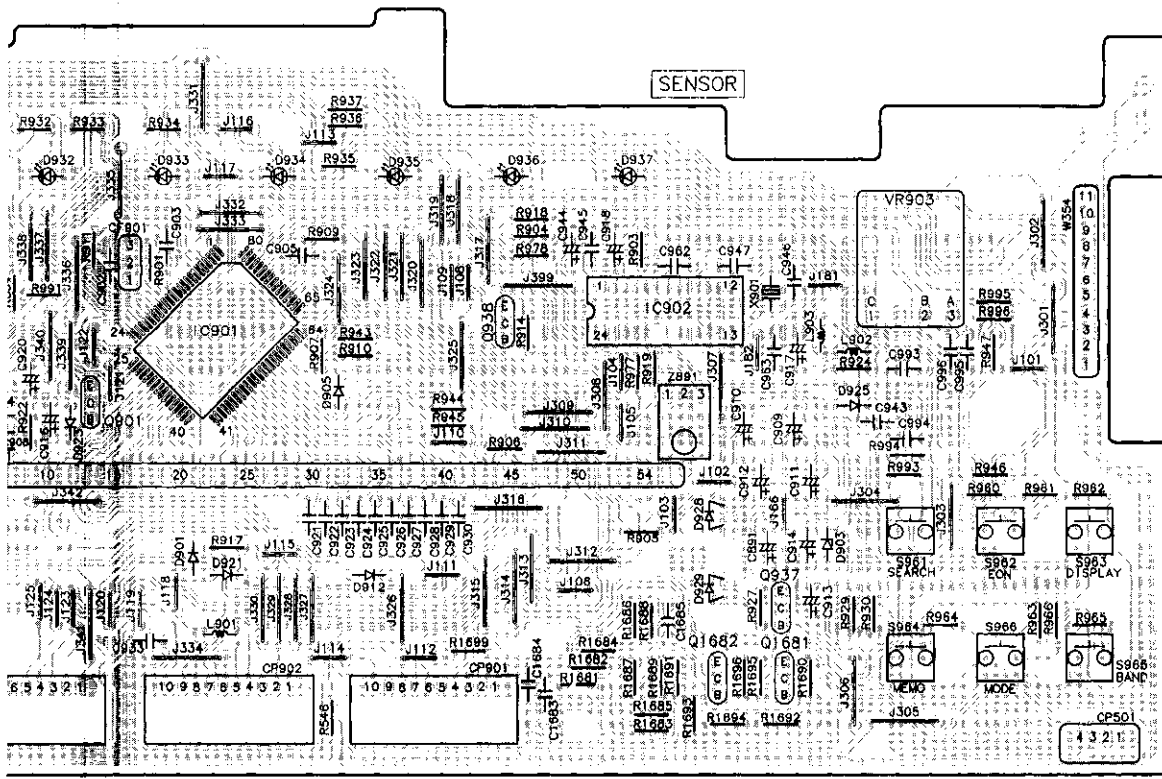
M SPEAKER P.C.B. (REP2790C-P) ... E/EG (REP2790D-P) ... EB



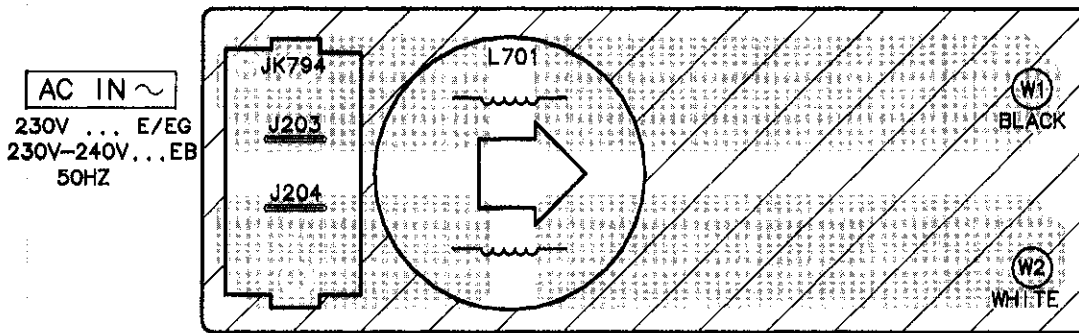
G H I J K L M

Electrical Parts Locations Table

Ref. No	Loc. No
CF901	G3
CP501	L5
CP901	I5
CP902	H5
CP903	F5
CP904	E5
CP905	D5
D901	G5
D903	K4
D905	H4
D912	H5
D921	H5
D923	G4
D924	F4
D925	K4
D928	J4
D929	J5
D931	F2
D932	G2
D933	G2
D934	H2
D935	H2
D936	I2
D937	J2
D942	E2
FL901	F4
IC501	C2
IC901	G3
IC902	J3
IC903	E2
IC551	B4
IC511	D4
L501	C2
L502	C1
L901	H5
L902	K3
L903	K3
Q1681	K5
Q1682	J5
Q505	E3
Q506	E4
Q901	G4
Q902	F4
Q937	K5
Q938	I3
S958	D2
S960	D4
S961	K4
S962	L4
S963	L4
S964	K5
S965	L5
S966	L5
X901	J3
VR901	E3
VR903	K3
VR501	A2
VR502	B5
VR511	D5
VR512	C5
W354	L3
Z891	J4



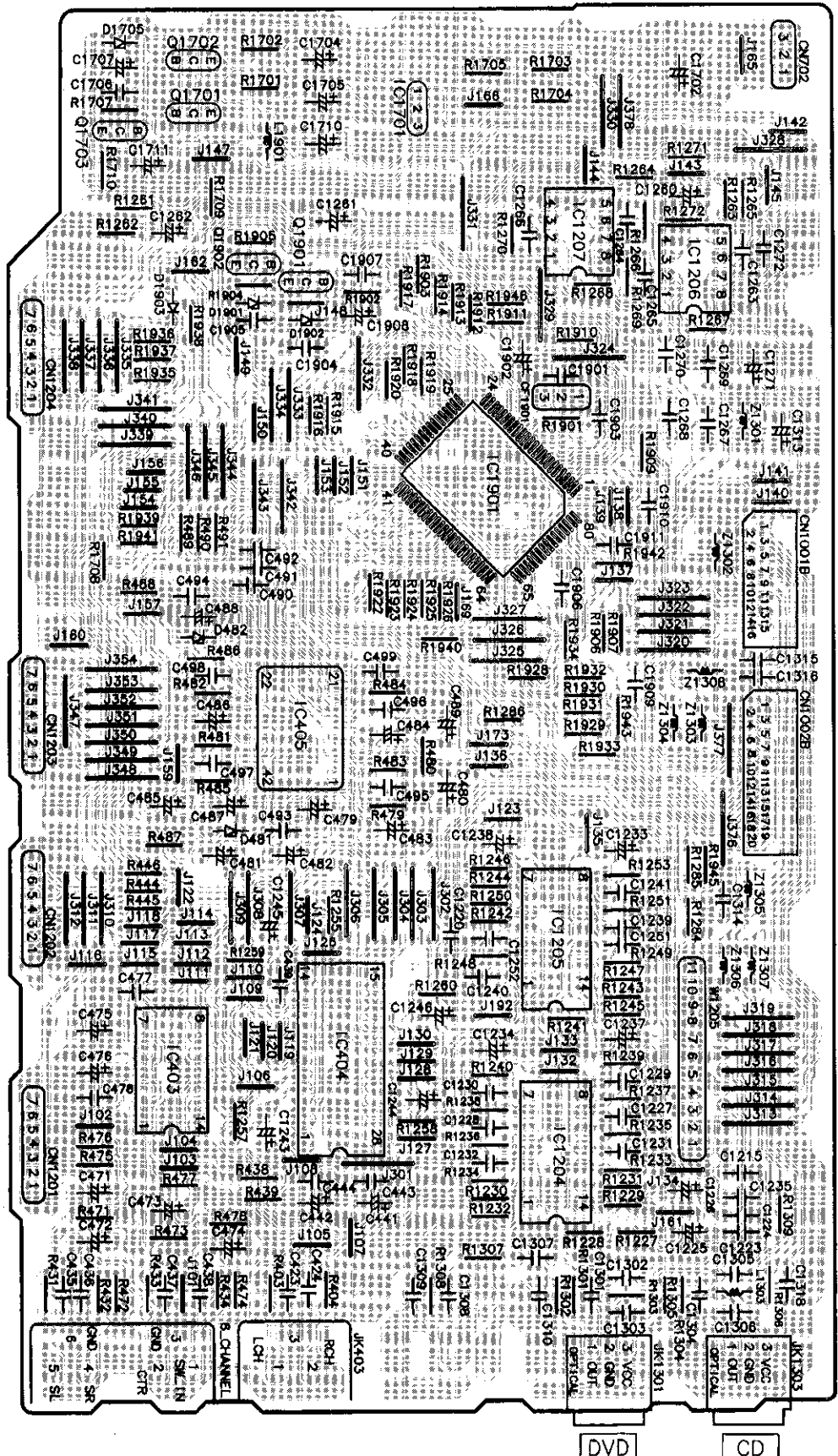
G AC IN/OUT P.C.B. (REP2790C-P) ... E/EG (REP2790D-P) ... EB



A B C D E F G H

J DSP P.C.B. (REP2790C-P) ... E/EG (REP2790D-P) ... EB

1
2
3
4
5
6
7
8
9
10



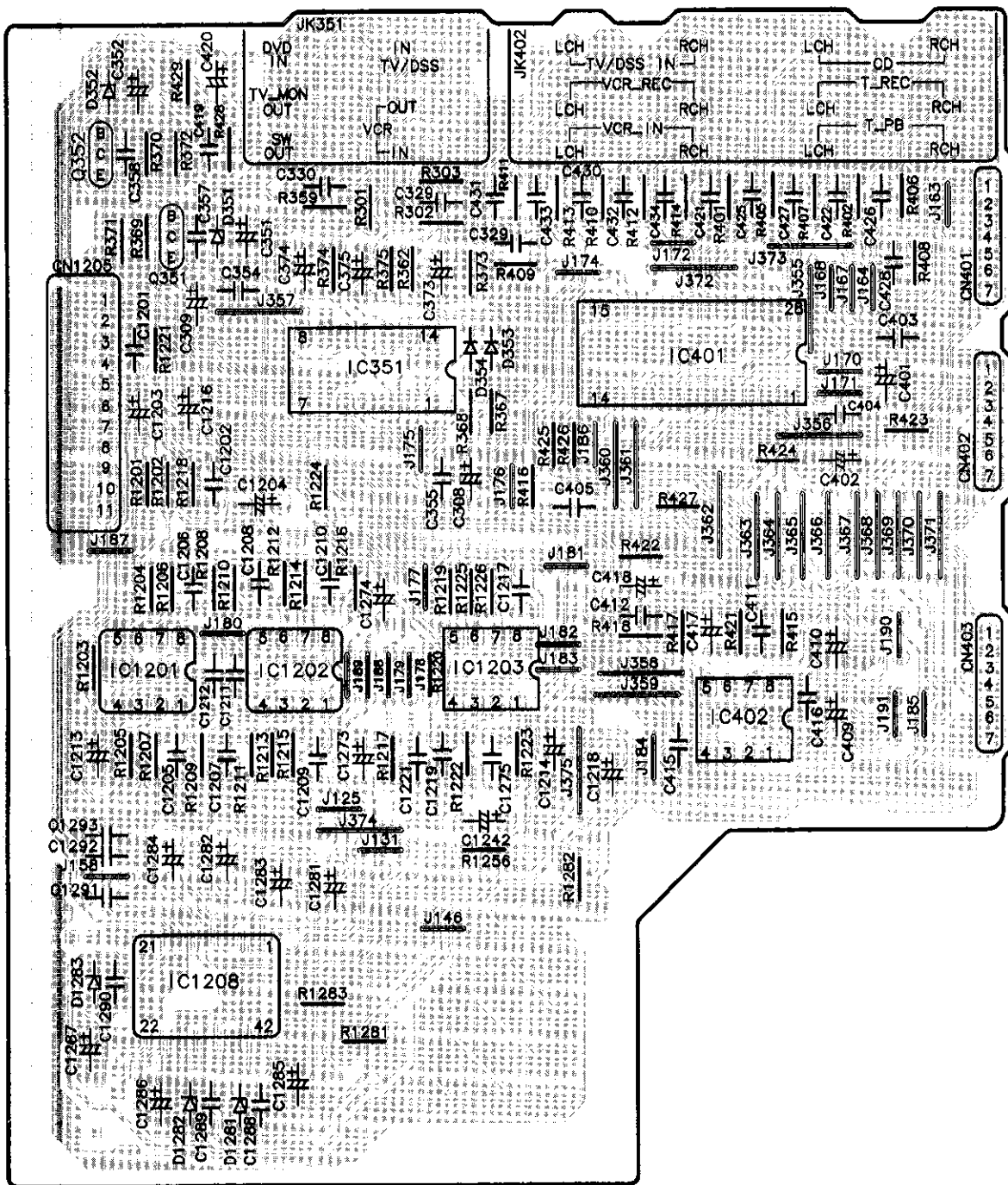
Electrical Parts Locations Table

Ref. No	Loc. No
CF1901	D4
CN1001B	F5
CN1002B	F6
CN1201	A8
CN1202	A7
CN1203	A6
CN1204	A3
CN702	F1
D1705	B1
D1901	B3
D1902	C3
D1903	B3
D1904	E3
D481	B6
D482	B5
IC1204	D8
IC1205	D7
IC1206	E3
IC1207	D3
IC1701	D2
IC1901	D4
IC403	B8
IC404	C8
IC405	C6
JK1301	E10
JK1302	E10
JK1303	F10
JK403	C10
L1303	F10
L1901	C2
Q1701	B2
Q1702	B1
Q1703	B2
Q1901	C3
Q1902	B3
W1205	E8
Z1301	F4
Z1302	F5
Z1303	E6
Z1304	E6
Z1305	F7
Z1306	E7
Z1307	F7
Z1308	E5

A B C D E F G H

K PRO LOGIC P.C.B. (REP2790C-P) ... E/EG (REP2790D-P) ... EB

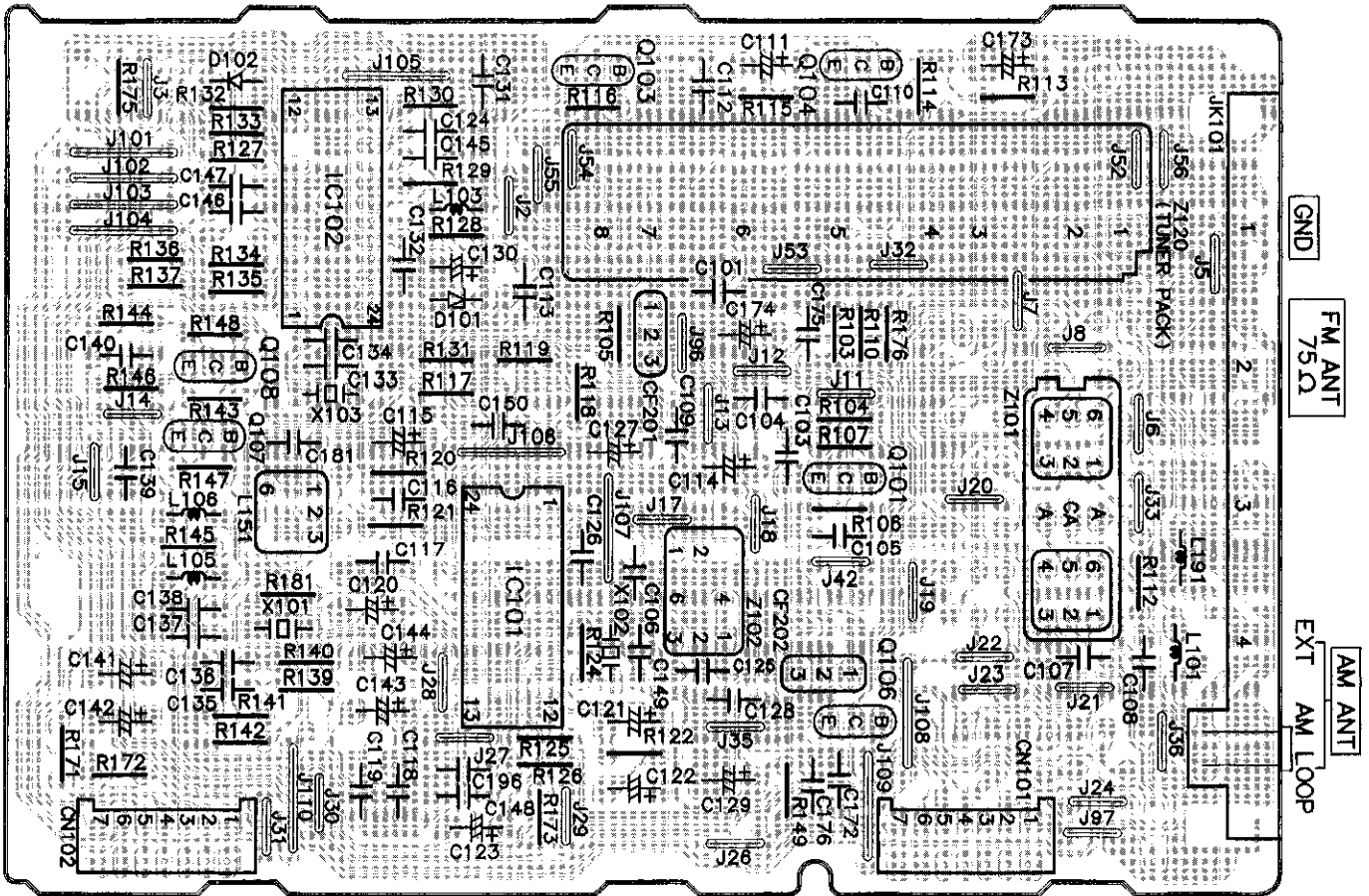
1
2
3
4
5
6
7
8
9
10



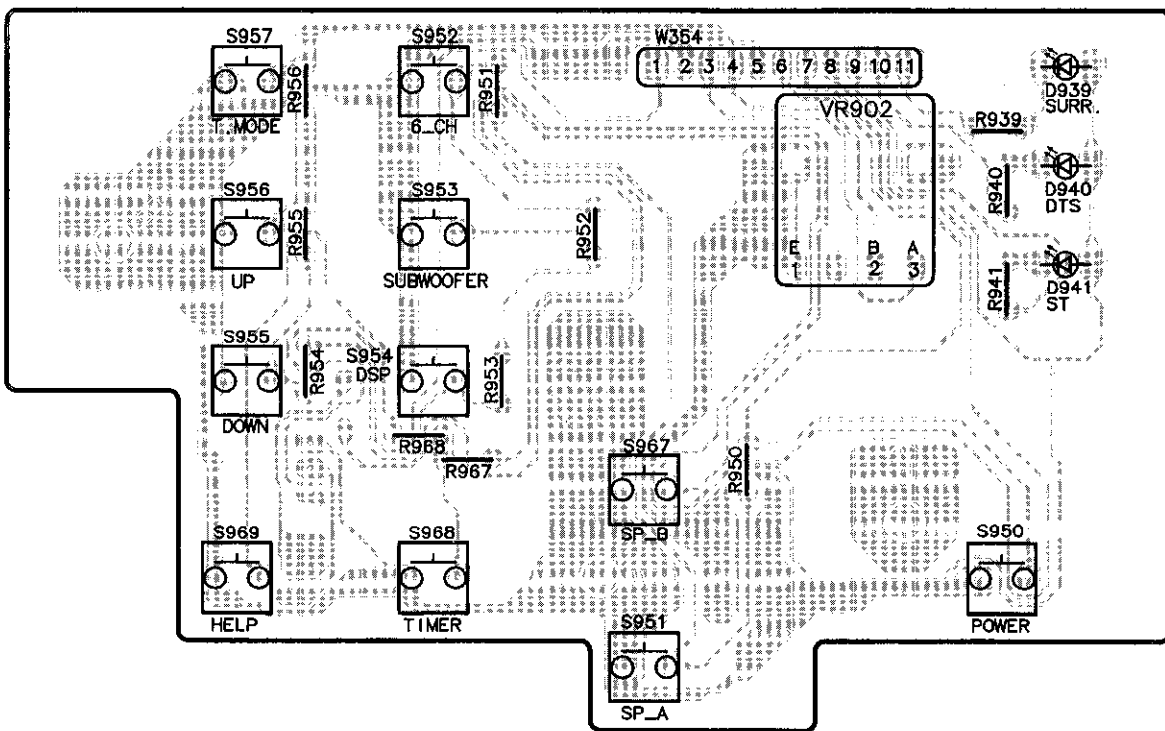
Electrical Parts Locations Table

Ref. No	Loc. No
CN1205	A3
CN401	G3
CN402	G4
CN403	G6
D1281	B8
D1282	B8
D1283	A7
D351	B2
D352	A2
D353	D3
D354	D3
IC1201	B5
IC1202	C5
IC1203	D5
IC1208	B7
IC351	C3
IC401	E3
IC402	E6
JK351	C2
JK402	F2
Q351	B9
Q352	A2

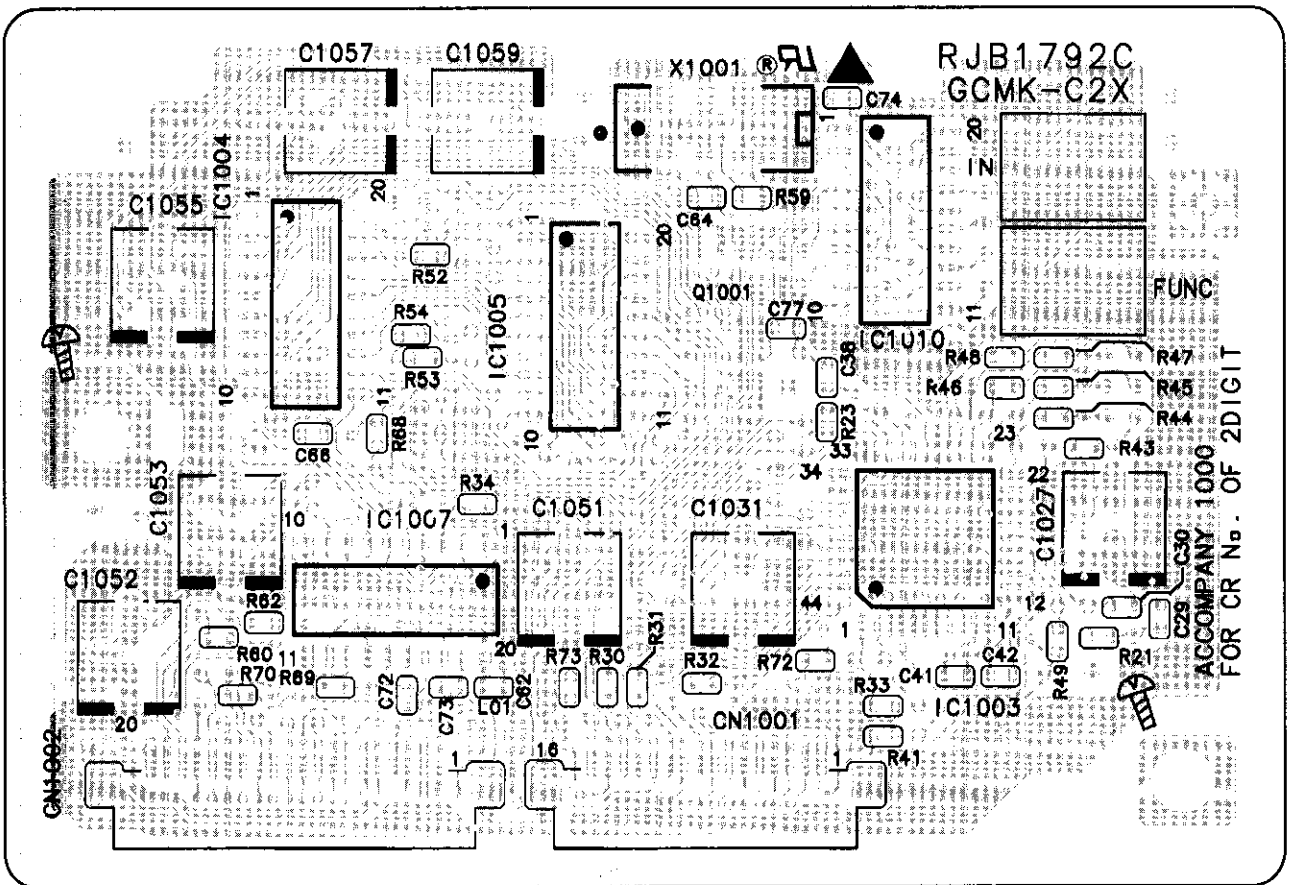
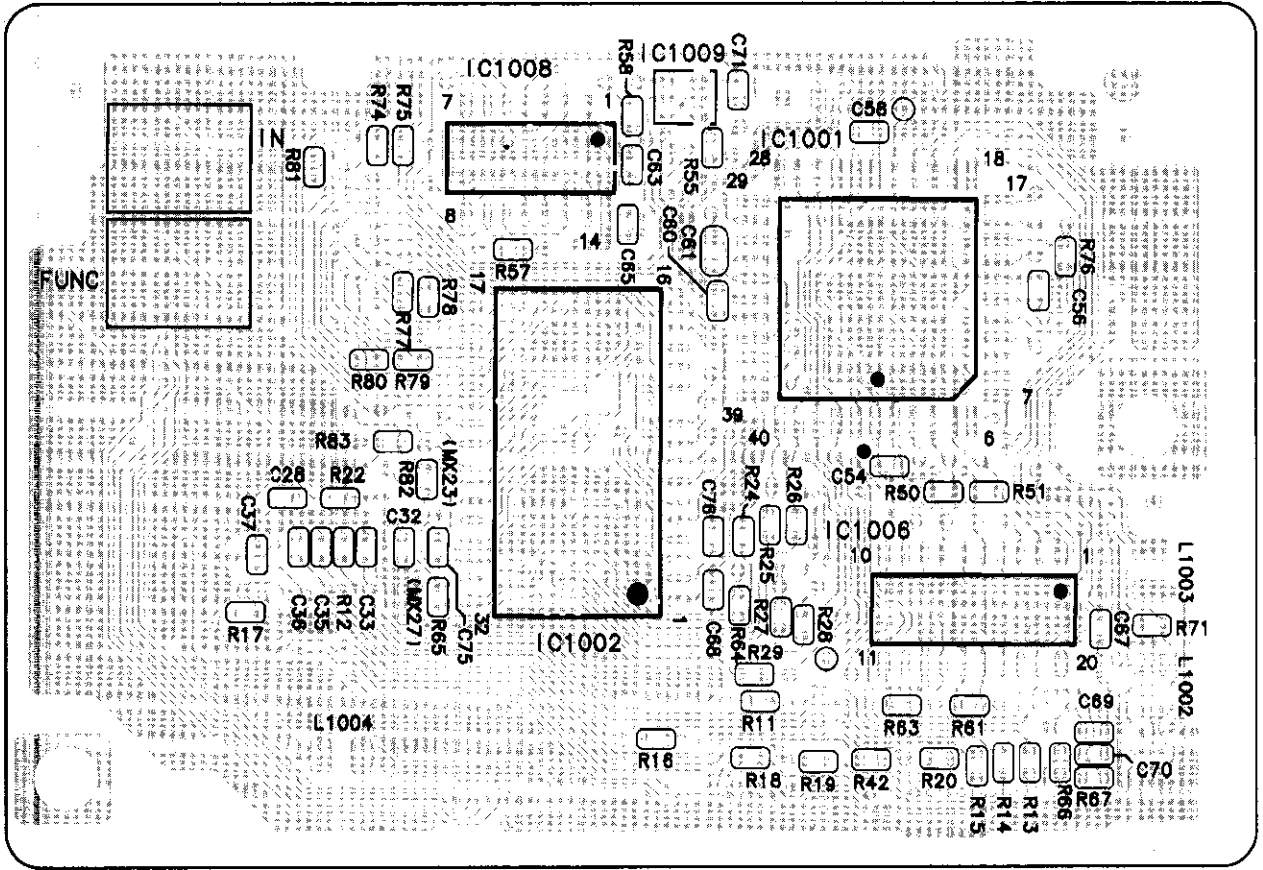
C TUNER P.C.B. (REP2254C-T)



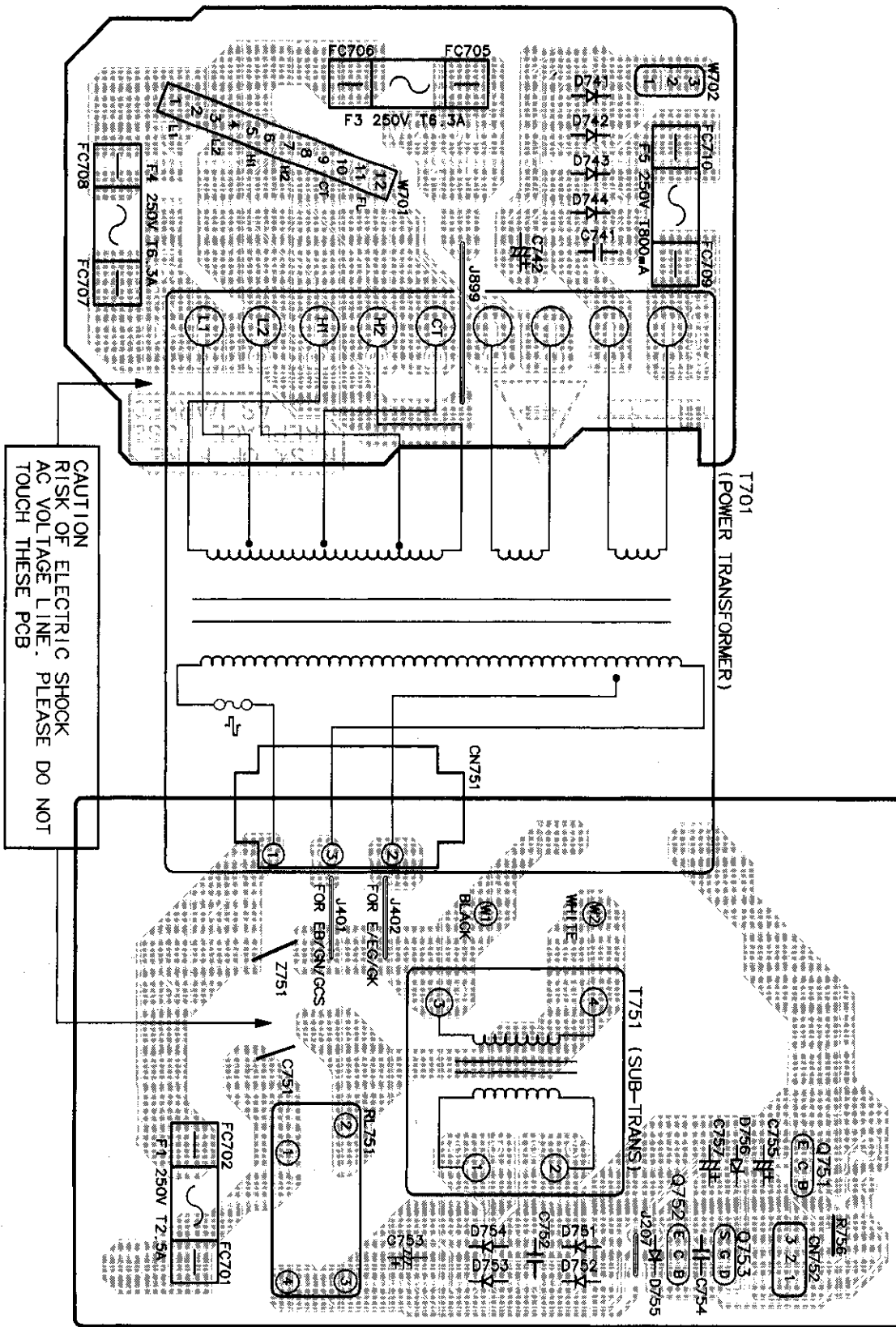
H OPERATION P.C.B. (REP2789B-S)



DTS MODULE P.C.B. (REP2703B-T)

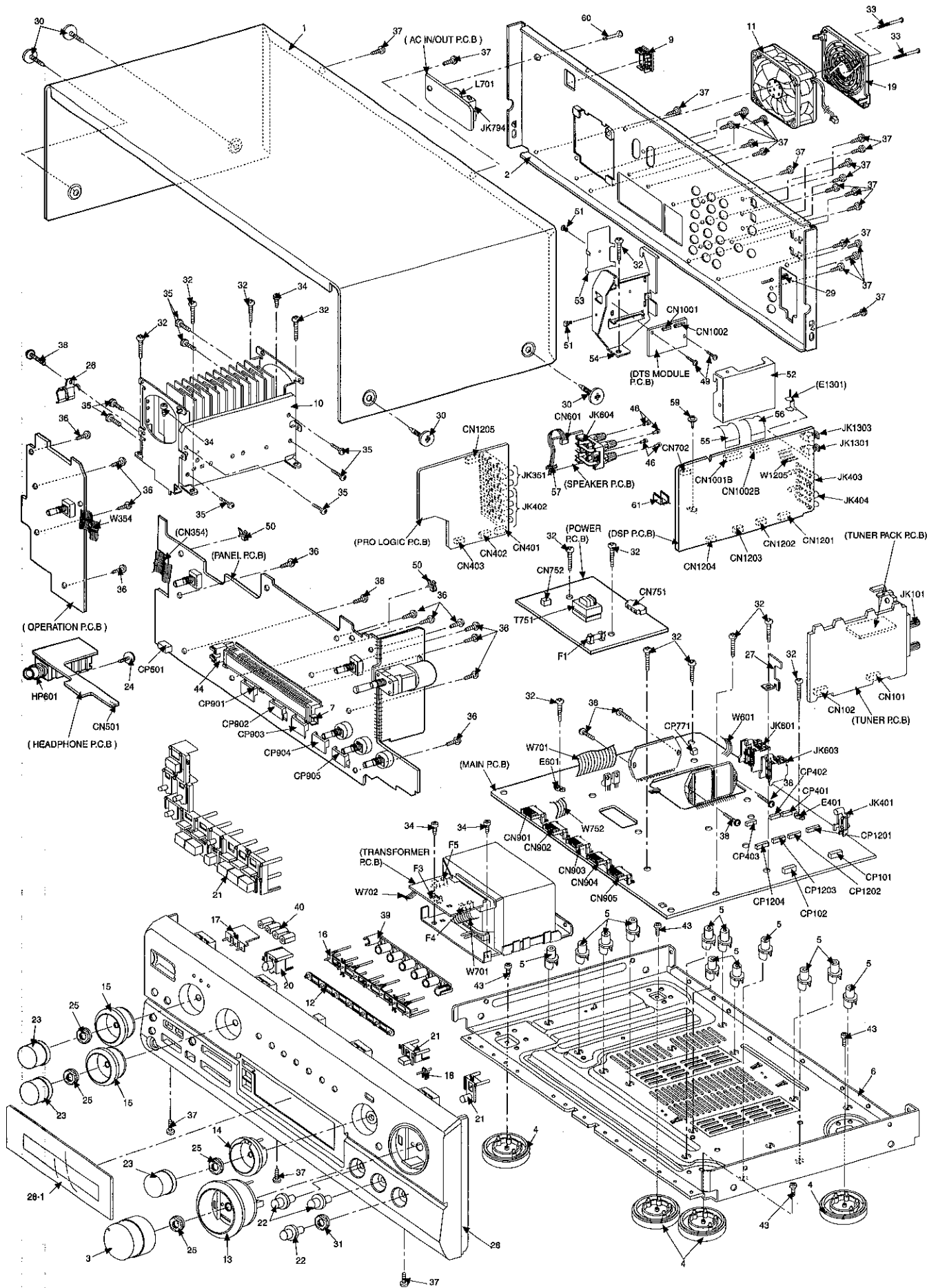


F TRANSFORMER P.C.B. (REP2788B-M)



E POWER P.C.B. (REP2790C-P) ... E/EG (REP2790D-P) ... EB

■ Cabinet Parts Location



■ Replacement Parts List

Notes: * Important safety notice :

 Components identified by \triangle mark have special characteristics important for safety.

Furthermore, special parts which have purposes of fire-retardant (resistors), high-quality sound (capacitors), low-noise (resistors), etc. are used. When replacing any of components, be sure to use only manufacturer's specified parts shown in the parts list.

* The parenthesized in the Remarks columns specify the areas. (Refer to the cover page for area.)

Parts without these indication can be used for all areas.

* [M] in Remarks column indicates parts that are supplied by MESA.

Ref No.	Part No.	Part Name & Description	Remarks	Ref No.	Part No.	Part Name & Description	Remarks	Ref No.	Part No.	Part Name & Description	Remarks
		CABINET AND CHASSIS		37	XTBS3+8JFZ1	SCREW	[M]	IC903	BU2090A	IC, EXPENDER	[M]
				38	XTW3+15T	SCREW	[M]	IC1001	CS4926-CL	IC, AC3	[M]
1	RKM0375-K	TOP CABINET	[M]	39	RMV0158	SEL LED COVER	[M]	IC1002	MX23C4000MC3	IC, MEMORY	[M]
2	RGR0284B-A	REAR PANEL	[M] E G E	40	RMV0159	P-L LED COVER	[M]	IC1003	CS4226-KQG	IC, DIR/DAC/VOL	[M]
2	RGR0284B-B	REAR PANEL	[M] E B	43	XTB3+6G	SCREW (FOOT)	[M]	IC1004	TC74VHC574FL	IC, OCTAL BUS BUFFER	[M]
3	RGW0278-K	VOLUME KNOB	[M]	44	RMN0502	LED HOLDER	[M]	IC1005	TC74VHC574FL	IC, OCTAL BUS BUFFER	[M]
4	RKA0079-A	LEG UNIT	[M]	46	RMR1165-K	SPEAKER COVER	[M]	IC1006	TC74VHC244FL	IC, OCTAL BUS SUFFER	[M]
5	RKQ0089-J	PCB HOLDER	[M]	49	XYN26+C6	SCREW	[M]	IC1007	TC74VHC244FL	IC, OCTAL BUS BUFFER	[M]
6	RMK0350-3	BOTTOM CHASSIS	[M]	50	SHRD163	WIRE CLAMPER	[M]	IC1008	TC74VHC74FEL	IC, OCTAL BUS SUFFER	[M]
7	RMN0372A	FL HOLDER	[M]	51	SHR9112	PLASTIC RIVET	[M]	IC1009	TC7SHU04F85L	IC, REGULATOR	[M] \triangle
9	SJS9231A	A/C INLET COVER	[M]	52	RSC0528	SHIELD CASE	[M]	IC1010	TC74VHC244FL	IC, OCTAL BUS BUFFER	[M]
10	RXX0194	HEAT SINK UNIT	[M]	53	RSC0529	SHIELD PLATE	[M]	IC1201	NJM4580DD	IC, OP AMP	[M]
11	REM0080	FAN UNIT	[M]	54	RMA1232	PCB ANGLE	[M]	IC1202	NJM4580DD	IC, OP AMP	[M]
12	RGK0992-N	LIGHT GUIDE RING	[M]	55	REE0785A	FFC WIRE	[M]	IC1203	NJM4580DD	IC, OP AMP	[M]
13	RGK0993-N	VOLUME RING	[M]	56	REE0786A	FFC WIRE	[M]	IC1204	NJM2060D	IC, OP AMP	[M]
14	RGK0994-N	SELECTOR RING	[M]	57	SHR301	WIRE CRAMPER	[M]	IC1205	NJM2060D	IC, OP AMP	[M]
15	RGK0995-N	PRO LOGIC RING	[M]	59	XYN3+F8	SCREW	[M]	IC1206	NJM2115D	IC, OP AMP	[M]
16	RGL0401-Q	LIGHT GUIDE	[M]	60	RMR0669-C	CARD SPACER	[M]	IC1207	NJM2115D	IC, OP AMP	[M]
17	RGL0402-Q	P/L LIGHT GUIDE	[M]	61	SMY944	HEAT SINK	[M]	IC1208	M62444FPE1	IC, 4 CH	[M]
18	RGL0403-Q	6CH LIGHT GUIDE	[M]					IC1701	BA033T	IC, 3.3V REGULATOR	[M] \triangle
19	RGQ0231-K	FAN COVER	[M]			INTEGRATED CIRCUITS		IC1901	M38B53M4059F	IC, MICOM	[M]
20	RGU1616-K	HELP BUTTON	[M]								
21	RGU1617E-K	MODE BUTTON	[M]	IC101	LA1832A	IC, IF/MPX	[M]			TRANSISTORS	
22	RGW0279-K	tone knob	[M]	IC102	LC7218	IC, PLL	[M]				
23	RGW0280-K	SELECTOR KNOB	[M]	IC351	NJM2279D	IC, VIDEO SELECTOR	[M]	Q101	2SC2787LTA	TRANSISTOR	[M]
24	RHD28016	SCREW	[M]	IC401	TC9163AN	IC, SELECTOR	[M]	Q103	2SC2785FETA	TRANSISTOR	[M]
25	RHN90001	M9 NUT	[M]	IC402	NJM4580DD	IC, OP AMP	[M]	Q104	2SC2785FETA	TRANSISTOR	[M]
26	RMC0158-S	TRANSISTOR HOLDER	[M]	IC403	NJM2060D	IC, OP AMP	[M]	Q106	RVTDTA143XST	TRANSISTOR	[M]
27	RMQ0709	TUNER PCB BRACKET	[M]	IC404	TC9162AN	IC, SELECTOR	[M]	Q107	2SC3311ARTA	TRANSISTOR	[M]
28	RFKAD930EK	FRONT PANEL ASS'Y	[M]	IC405	M62444FPE1	IC, 4 CH	[M]	Q108	2SC3311ARTA	TRANSISTOR	[M]
28-1	RKW0533F-Q	F/L WINDOW	[M]	IC451	AN6558F	IC, OP AMP	[M]	Q351	2SD592AQSTA	TRANSISTOR	[M] \triangle
29	SNE2123	EARTH TERMINAL	[M]	IC501	BA6218	IC, MOTOR DRIVER	[M]	Q352	2SB621AQSTA	TRANSISTOR	[M] \triangle
30	SNE2129-1	SCREW (CABINET)	[M]	IC511	NJM4580DD	IC, OP AMP	[M]	Q505	2SD1915FTA	TRANSISTOR	[M]
31	SNE4021-1	M8 NUT	[M]	IC551	TC9214AP	IC, SELECTOR	[M]	Q506	2SD1915FTA	TRANSISTOR	[M]
32	XTB3+20JFZ	SCREW	[M]	IC601	RSN310R36-P	IC, HIC	[M] \triangle	Q551	2SD1915FTA	TRANSISTOR	[M]
33	XTB3+35JFZ	SCREW (FAN)	[M]	IC602	NJM2060D	IC, OP AMP	[M]	Q552	2SD1915FTA	TRANSISTOR	[M]
34	XTB3+8FFZ	SCREW	[M]	IC651	RSN3305-P	IC, HIC	[M] \triangle	Q553	2SD1915FTA	TRANSISTOR	[M]
35	XTB3+8JFZ	SCREW	[M]	IC901	M38B57M6127F	IC, MICOM	[M]	Q554	2SD1915FTA	TRANSISTOR	[M]
36	XTBS26+10J	SCREW	[M]	IC902	LC72720N	IC, RDS	[M]	Q601	RVTDTA143XST	TRANSISTOR	[M]

Ref No.	Part No.	Part Name & Description	Remarks	Ref No.	Part No.	Part Name & Description	Remarks	Ref No.	Part No.	Part Name & Description	Remarks
Q602	RVTDTA143XST	TRANSISTOR	[M]	D354	RVD1SS133TA	DIODE	[M]	D771	MA700ATA	DIODE	[M]
Q603	RVTDTA143XST	TRANSISTOR	[M]	D401	MTZJ7R5CTA	DIODE	[M]	D772	MA700ATA	DIODE	[M]
Q604	RVTDTA114EST	TRANSISTOR	[M]	D481	MTZJ6R8BTA	DIODE	[M]	D773	MTZJ6R2CTA	DIODE	[M]
Q605	RVTDTA114EST	TRANSISTOR	[M] △	D482	MTZJ6R8BTA	DIODE	[M]	D774	RVD1SS133TA	DIODE	[M]
Q609	RVTDTA114EST	TRANSISTOR	[M]	D601	RK306LFU1	DIODE	[M]	D781	MA700ATA	DIODE	[M]
Q610	RVTDTA114TST	TRANSISTOR	[M]	D602	RK306LFU1	DIODE	[M]	D782	MA700ATA	DIODE	[M]
Q651	RVTDTA143XST	TRANSISTOR	[M]	D605	RVD1SS133TA	DIODE	[M]	D901	1SS291TA	DIODE	[M]
Q652	RVTDTA143XST	TRANSISTOR	[M]	D611	RVD1SS133TA	DIODE	[M]	D903	MTZJ4R7BTA	DIODE	[M]
Q701	2SD2374PQAU	TRANSISTOR	[M] △	D612	RVD1SS133TA	DIODE	[M]	D909	MA167ATA	DIODE	[M]
Q703	2SC1740SSTA	TRANSISTOR	[M] △	D613	RVD1SS133TA	DIODE	[M]	D912	RVD1SS133TA	DIODE	[M]
Q704	2SC1740SSTA	TRANSISTOR	[M] △	D614	RVD1SS133TA	DIODE	[M]	D921	RVD1SS133TA	DIODE	[M]
Q706	2SC3940AQSTA	TRANSISTOR	[M]	D617	RVD1SS133TA	DIODE	[M]	D923	RVD1SS133TA	DIODE	[M]
Q707	2SA1534AQRTA	TRANSISTOR	[M] △	D618	MTZJ7R5CTA	DIODE	[M] △	D924	MTZJ3R9ATA	DIODE	[M] △
Q708	2SB1548PQAU	TRANSISTOR	[M] △	D651	RK306LFU1	DIODE	[M]	D925	RVD1SS133TA	DIODE	[M]
Q751	RVTDTA143XST	TRANSISTOR	[M]	D652	RK306LFU1	DIODE	[M]	D928	LN446YPH	DIODE	[M]
Q752	2SC3940AQSTA	TRANSISTOR	[M] △	D653	RVD1SS133TA	DIODE	[M]	D929	LN846RPH	DIODE	[M]
Q753	2SK2880CTA	TRANSISTOR	[M] △	D655	RVD1SS133TA	DIODE	[M]	D931	SLR325VCT31	DIODE	[M]
Q771	2SA933SSTA	TRANSISTOR	[M]	D658	RVD1SS133TA	DIODE	[M]	D932	SLR325VCT31	DIODE	[M]
Q772	2SC1740SSTA	TRANSISTOR	[M]	D659	RVD1SS133TA	DIODE	[M]	D933	SLR325VCT31	DIODE	[M]
Q773	2SB621AQSTA	TRANSISTOR	[M]	D660	RVD1SS133TA	DIODE	[M]	D934	SLR325VCT31	DIODE	[M]
Q774	RVTDTA113ZST	TRANSISTOR	[M]	D701	1N5402BM21	DIODE	[M] △	D935	SLR325VCT31	DIODE	[M]
Q775	RVTDTA114EST	TRANSISTOR	[M]	D702	1N5402BM21	DIODE	[M] △	D936	SLR325VCT31	DIODE	[M]
Q776	2SC1740SSTA	TRANSISTOR	[M]	D703	1N5402BM21	DIODE	[M] △	D937	SLR325VCT31	DIODE	[M]
Q777	2SA933SSTA	TRANSISTOR	[M]	D704	1N5402BM21	DIODE	[M] △	D939	SLR325VCT31	DIODE	[M]
Q778	2SA933SSTA	TRANSISTOR	[M]	D705	MTZJ6R2BTA	DIODE	[M] △	D940	SLR325VCT31	DIODE	[M]
Q779	2SA933SSTA	TRANSISTOR	[M]	D707	MTZJ27DTA	DIODE	[M] △	D941	SLR325VCT31	DIODE	[M]
Q780	2SA933SSTA	TRANSISTOR	[M]	D708	MTZJ15CTA	DIODE	[M] △	D942	SLR325MCT31	DIODE	[M]
Q781	2SC1740SSTA	TRANSISTOR	[M]	D721	1N5402BM21	DIODE	[M] △	D1281	MTZJ6R8BTA	DIODE	[M]
Q901	RVTDTA114YST	TRANSISTOR	[M]	D722	1N5402BM21	DIODE	[M] △	D1282	MTZJ6R8BTA	DIODE	[M]
Q902	2SA933SSTA	TRANSISTOR	[M] △	D723	1N5402BM21	DIODE	[M] △	D1283	MTZJ5R18TA	DIODE	[M]
Q909	2SC1740SSTA	TRANSISTOR	[M]	D724	1N5402BM21	DIODE	[M] △	D1705	MTZJ6R2CTA	DIODE	[M] △
Q937	RVTDTA114YST	TRANSISTOR	[M]	D725	1N5402BM21	DIODE	[M] △	D1901	MTZJ3R9ATA	DIODE	[M]
Q938	RVTDTA114YST	TRANSISTOR	[M]	D726	1N5402BM21	DIODE	[M] △	D1902	RVD1SS133TA	DIODE	[M]
Q1681	2SD1915FTA	TRANSISTOR	[M]	D727	1N5402BM21	DIODE	[M] △	D1903	RVD1SS133TA	DIODE	[M]
Q1682	2SD1915FTA	TRANSISTOR	[M]	D728	1N5402BM21	DIODE	[M] △				
Q1701	2SD2137PQTA	TRANSISTOR	[M] △	D741	1SR35400V	DIODE	[M] △			VARIABLE RESISTORS	
Q1702	2SD2137PQTA	TRANSISTOR	[M] △	D742	1SR35400V	DIODE	[M] △				
Q1703	2SC1740SSTA	TRANSISTOR	[M] △	D743	1SR35400V	DIODE	[M] △	VR501	EUWMLR026993	VR, VOLUME	[M]
Q1901	RVTDTA114YST	TRANSISTOR	[M]	D744	1SR35400V	DIODE	[M] △	VR502	EWQ0YAF20G15	VR, BALANCE CONTROL	[M]
Q1902	2SA933SSTA	TRANSISTOR	[M]	D751	1SR35400V	DIODE	[M] △	VR511	EW1XA020C15	VR, TONE CONTROL	[M]
				D752	1SR35400V	DIODE	[M] △	VR512	EW1XA020C15	VR, TONE CONTROL	[M]
		DIODES		D753	1SR35400V	DIODE	[M] △	VR901	EVQVBHFK112B	VR, BALANCE CONTROL	[M]
				D754	1SR35400V	DIODE	[M] △	VR902	EVQVBHFK112B	VR, BALANCE CONTROL	[M]
D101	MTZJ5R1BTA	DIODE	[M] △	D755	RVD1SS133TA	DIODE	[M]	VR903	EVQVBHFK112B	VR, BALANCE CONTROL	[M]
D102	MA165TA	DIODE	[M]	D756	MTZJ6R8BTA	DIODE	[M] △				
D351	MTZJ5R6BTA	DIODE	[M] △	D768	MTZJ3R3ATA	DIODE	[M]				
D352	MTZJ5R6BTA	DIODE	[M] △	D769	RVD1SS133TA	DIODE	[M]				
D353	RVD1SS133TA	DIODE	[M]	D770	RVD1SS133TA	DIODE	[M]				

Ref No.	Part No.	Part Name & Description	Remarks	Ref No.	Part No.	Part Name & Description	Remarks	Ref No.	Part No.	Part Name & Description	Remarks
		SWITCHES									
S950	EVQ21405R	SW, POWER	[M]	CP101	RJT057W007-1	7P CONNECTOR	[M]			COMPONENT COMBINATION	
S951	EVQ21405R	SW, SPEAKER A	[M]	CP102	RJT057W007-1	7P CONNECTOR	[M]				
S952	EVQ21405R	SW, DVD 6CH INPUT	[M]	CP401	RJT100W07	7P CONNECTOR	[M]	Z101	RLA2Z002M-T	AM ANT. COIL	[M]
S953	EVQ21405R	SW, SUB WOOFER	[M]	CP402	RJT100W07	7P CONNECTOR	[M]	Z102	RLI2Z006M-T	AM IFT	[M]
S954	EVQ21405R	SW, DISPLAY	[M]	CP403	RJT100W07	7P CONNECTOR	[M]	Z120	ENV17290G1Y	FM TUNER PACK	[M]
S955	EVQ21405R	SW, DOWN	[M]	CP501	RJT100W04	4P CONNECTOR	[M]	Z751	ERZV10V511CS	ZNR	[M] △
S956	EVQ21405R	SW, UP	[M]	CP771	SJT3213	CONNECTOR (FAN)	[M]	Z891	RCD12042TE	REMOTE SENSOR	[M]
S957	EVQ21405R	SW, T. MODE	[M]	CP901	RJT003K010M1	10P CONNECTOR	[M]	Z1301	BL02RN2R62T4	EMI BEAD CORE	[M]
S958	EVQ21405R	SW, DIGITAL	[M]	CP902	RJT003K010M1	10P CONNECTOR	[M]	Z1302	BL02RN2R62T4	EMI BEAD CORE	[M]
S959	EVQ21405R	SW, TAPE MONITOR	[M]	CP903	RJT003K008M1	8P CONNECTOR	[M]	Z1303	BL02RN2R62T4	EMI BEAD CORE	[M]
S960	EVQ21405R	SW, PTY SEARCH	[M]	CP904	RJT003K008M1	8P CONNECTOR	[M]	Z1304	BL02RN2R62T4	EMI BEAD CORE	[M]
S961	EVQ21405R	SW, EON	[M]	CP905	RJT003K008M1	8P CONNECTOR	[M]	Z1305	BL02RN2R62T4	EMI BEAD CORE	[M]
S962	EVQ21405R	SW, RDS DISPLAY	[M]	CP1201	RJT100W07	7P CONNECTOR	[M]	Z1306	BL02RN2R62T4	EMI BEAD CORE	[M]
S963	EVQ21405R	SW, MEMORY	[M]	CP1202	RJT100W07	7P CONNECTOR	[M]	Z1307	BL02RN2R62T4	EMI BEAD CORE	[M]
S964	EVQ21405R	SW, BAND	[M]	CP1203	RJT100W07	7P CONNECTOR	[M]	Z1308	BL02RN2R62T4	EMI BEAD CORE	[M]
S965	EVQ21405R	SW, MODE	[M]	CP1204	RJT100W07	7P CONNECTOR	[M]				
S966	EVQ21405R	SW, MODE	[M]							CERAMIC FILTERS	
S967	EVQ21405R	SW, SPEAKER B	[M]			COILS & TRANSFORMERS					
S968	EVQ21405R	SW, TIMER	[M]	L101	ELESN1R0MA	CHOKO COIL	[M]	CF201	RLFFETNGD01L	CERAMIC CAPACITOR	[M]
S969	EVQ21405R	SW, HELP	[M]	L103	ELEXTR47MA9	CHOKO COIL	[M]	CF202	RLFFETMGD01L	CERAMIC FILTER	[M]
				L105	RLQZB822KT-D	TAPING COIL	[M]	CF901	RVBCST4R00MT	CERAMIC OSCILLATOR	[M]
		CONNECTORS		L108	RLQZB822KT-D	TAPING COIL	[M]	CF1901	RVBCST4R00MT	CERAMIC OSCILLATOR	[M]
CN101	RJU057W007	7P CONNECTOR	[M]	L151	SLM1B10-1M	A.B. FILTER	[M]			RELAY	
CN102	RJU057W007	7P CONNECTOR	[M]	L191	ELESNR56MA	CHOKO COIL	[M]	RL601	RSY0013M-0	RELAY	[M] △
CN401	RJU100W07	7P CONNECTOR	[M]	L501	RLQZP1R0KT-Y	AXIAL COIL	[M]	RL602	RSY0013M-0	RELAY	[M] △
CN402	RJU100W07	7P CONNECTOR	[M]	L502	RLQZP1R0KT-Y	AXIAL COIL	[M]	RL603	RSY0013M-0	RELAY	[M] △
CN403	RJU100W07	7P CONNECTOR	[M]	L602	RLQYR73MW-E	CHOKO COIL	[M]	RL604	RSY0013M-0	RELAY	[M] △
CN501	RJU100W04	4P CONNECTOR	[M]	L603	RLQYR73MW-E	CHOKO COIL	[M]	RL751	RSY0041M-0	TV-5 PRIMARY RELAY	[M] △
CN801	RJS4T6ZA	4P CONNECTOR	[M]	L604	RLQYR73MW-E	CHOKO COIL	[M]				
CN702	RJS1A6603T1	3P TAPING CONNECTOR	[M]	L651	RLQYR73MW-E	CHOKO COIL	[M]			OSCILLATORS	
CN751	SJS305-1	3P CONNECTOR	[M]	L652	RLQYR73MW-E	CHOKO COIL	[M]				
CN752	RJS1A6603T1	3P TAPING CONNECTOR	[M]	L701	RLQT801M-W	CHOKO COIL	[M] △	X101	RSXZ456KM07M	CERAMIC OSCILLATOR	[M]
CN901	RJU003K010M1	10P B/B CONNECTOR	[M]	L751	RLQB101KTA-Y	CHOKO COIL	[M]	X102	RLFDGTD01I	FM REZONATOR	[M]
CN902	RJU003K010M1	10P B/B CONNECTOR	[M]	L901	RLQB101KTA-Y	CHOKO COIL	[M]	X103	RSXD7M20C01	CRYSTAL 7.2 MHZ	[M]
CN903	RJU003K008M1	BOAD IN CONNECTOR	[M]	L902	RLQZP101KT-Y	AXIAL COIL	[M]	X901	RSXC4M33S02T	CRYSTAL 4.33 MHZ	[M]
CN904	RJU003K008M1	BOAD IN CONNECTOR	[M]	L903	RLQZP101KT-Y	AXIAL COIL	[M]	X1001	RSXB49M1S02T	X'TAL OSC 49.152MHZ	[M]
CN905	RJU003K008M1	BOAD IN CONNECTOR	[M]	L1001	RLQM2R2KT2-W	CHOKER COIL	[M]				
CN1001	RJS2A4816T	16P CONNECTOR	[M]	L1002	RLQM2R2KT2-W	COIL	[M]			DISPLAY TUBE	
CN1001B	RJS2A4216-F	16P CONNECTOR	[M]	L1003	RLQM2R2KT2-W	COIL	[M]				
CN1002	RJS2A4820T	20P CONNECTOR	[M]	L1004	RLQM2R2KT2-W	COIL	[M]	FL901	RSL0279-F	FL DISPLAY	[M]
CN1002B	RJS2A4220-F	20P CONNECTOR	[M]	L1303	RLQZP1R0KT-Y	AXIAL COIL	[M]				
CN1201	RJU100W07	7P CONNECTOR	[M]	L1901	RLQB101KTA-Y	CHOKO COIL	[M]			FUSES	
CN1202	RJU100W07	7P CONNECTOR	[M]	T701	RTP1Q5B006-V	POWER TRANSFORMER	[M] △				
CN1203	RJU100W07	7P CONNECTOR	[M]	T751	RTP115B003-V	SUB TRANSFORMER	[M] △	F1	XBA2C25TB0	FUSE	[M] △
CN1204	RJU100W07	7P CONNECTOR	[M]					F3	XBA2C63TB0	FUSE	[M] △
CN1205	RJT029W011-1	EH CONNECTOR	[M]					F4	XBA2C63TB0	FUSE	[M] △

Ref No.	Part No.	Part Name & Description	Remarks	Ref No.	Part No.	Part Name & Description	Remarks	Ref No.	Part No.	Part Name & Description	Remarks
F5	XBA2C08TB0	FUSE	[M] ⚠								
		FUSE HOLDERS									
FC701	RJR0169T	FUSE HOLDER	[M]								
FC702	RJR0169T	FUSE HOLDER	[M]								
FC705	RJR0169T	FUSE HOLDER	[M]								
FC706	RJR0169T	FUSE HOLDER	[M]								
FC707	RJR0169T	FUSE HOLDER	[M]								
FC708	RJR0169T	FUSE HOLDER	[M]								
FC709	RJR0169T	FUSE HOLDER	[M]								
FC710	RJR0169T	FUSE HOLDER	[M]								
		JACKS									
HP601	RJJ63TA01	HP JACK	[M]								
JK101	RJH4202-1	JK, ANT TERMINAL	[M]								
JK351	RJH3601	JK, 6P RCA	[M]								
JK401	SJF3068-7N	JK, RCA TERMINAL	[M]								
JK402	RJH3001	JK, 12P RCA	[M]								
JK403	SJF3068-7N	JK, RCA TERMINAL	[M]								
JK404	SJF3069-17N	JK, RCA	[M]								
JK601	RJH5601	JK, SPEAKER TERMINAL	[M]								
JK603	RJR0054	JK, SPEAKER TERMINAL	[M]								
JK604	RJH4410	JK, SPEAKER	[M]								
JK794	SJS9231-1B	JK, AC INLET	[M] ⚠								
JK1301	TORX178A	JK, OPTICAL MODULE	[M]								
JK1303	TORX178A	JK, OPTICAL MODULE	[M]								
		EARTH TERMINAL									
E401	SNE1004-2	EARTH TERMINAL	[M]								
E601	SNE1004-2	EARTH TERMINAL	[M]								
E1301	RMA1267	EARTH ANGLE	[M]								
		WIRES									
W1	REE0889	WIRE	[M]								
W2	REE0890	WIRE	[M]								
W354	RWJ1811170KK	11P WIRE	[M]								
W601	RWJ1804160KQ	SPK TERMINAL WIRE	[M]								
W701	RWJ1812220KK	WIRE UNIT	[M]								
W702	RWJ1803430KQ	3P WIRE	[M]								
W752	RWJ1803290KQ	3P WIRE	[M]								
W1205	REX0889	11P WIRE	[M]								

■ Resistors & Capacitors

Notes :

- Important safety notice:

Components identified by \triangle mark have special characteristics important for safety.

Furthermore, special parts which have purposes of fire-retardant (resistors), high-quality sound (capacitors), low-noise (resistors), etc. are used. When replacing any of components, be sure to use only manufacturer's specified parts shown in the parts list.

- The parenthesized in the Remarks columns specify the areas. (Refer to the cover page for area.)

Parts without these indication can be used for all areas.

- [M] in Remarks column indicates parts that are supplied by MESA.

- Capacitor values are in microfarad (μ F) unless specified otherwise, P=Pico-farads (pF) F=Farads (F)

- Resistors values are in ohms, unless specified otherwise, 1k=1,000(OHM), 1M=1,000k(OHM)



Ref No.	Part No.	Values & Remarks	Ref No.	Part No.	Values & Remarks	Ref No.	Part No.	Values & Remarks	Ref No.	Part No.	Values & Remarks
	RESISTORS		R144	ERDS2TJ222T	2.2K 1/4W [M]	R413	ERDS2TJ102T	1K 1/4W [M]	R459	ERDS2TJ680T	68 1/4W [M]
			R145	ERDS2TJ821T	820 1/4W [M]	R414	ERDS2TJ102T	1K 1/4W [M]	R460	ERDS2TJ680T	68 1/4W [M]
R103	ERDS2TJ101T	100 1/4W [M]	R146	ERDS2TJ821T	820 1/4W [M]	R415	ERDS2TJ102T	1K 1/4W [M]	R461	ERDS2TJ184T	180K 1/4W [M]
R104	ERDS2TJ102T	1K 1/4W [M]	R147	ERDS2TJ474T	470K 1/4W [M]	R416	ERDS2TJ102T	1K 1/4W [M]	R462	ERDS2TJ184T	180K 1/4W [M]
R105	ERDS2TJ471T	470 1/4W [M]	R148	ERDS2TJ474T	470K 1/4W [M]	R417	ERDS2TJ473T	47K 1/4W [M]	R463	ERDS2TJ123T	12K 1/4W [M]
R106	ERDS2TJ224T	220K 1/4W [M]	R149	ERDS2TJ680T	68 1/4W [M]	R418	ERDS2TJ473T	47K 1/4W [M]	R464	ERDS2TJ123T	12K 1/4W [M]
R107	ERDS2TJ471T	470 1/4W [M]	R171	ERDS2TJ102T	1K 1/4W [M]	R419	ERDS2TJ104T	100K 1/4W [M]	R465	ERDS2TJ563T	56K 1/4W [M]
R110	ERDS2TJ102T	1K 1/4W [M]	R172	ERDS2TJ102T	1K 1/4W [M]	R420	ERDS2TJ104T	100K 1/4W [M]	R466	ERDS2TJ563T	56K 1/4W [M]
R112	ERDS2TJ104T	100K 1/4W [M]	R173	ERDS2TJ471T	470 1/4W [M]	R421	ERDS2TJ104T	100K 1/4W [M]	R469	ERDS2TJ102T	1K 1/4W [M]
R113	ERDS2TJ103T	10K 1/4W [M]	R175	ERDS2TJ102T	1K 1/4W [M]	R422	ERDS2TJ104T	100K 1/4W [M]	R470	ERDS2TJ102T	1K 1/4W [M]
R114	ERDS2TJ562T	5.6K 1/4W [M]	R176	ERDS2TJ391T	390 1/4W [M]	R423	ERDS2TJ102T	1K 1/4W [M]	R471	ERDS2TJ183T	18K 1/4W [M]
R115	ERDS2TJ561T	560 1/4W [M]	R181	ERDS2TJ332T	3.3K 1/4W [M]	R424	ERDS2TJ102T	1K 1/4W [M]	R472	ERDS2TJ183T	18K 1/4W [M]
R116	ERDS2TJ102T	1K 1/4W [M]	R301	ERDS2TJ750T	75 1/4W [M]	R425	ERDS2TJ103T	10K 1/4W [M]	R473	ERDS2TJ183T	18K 1/4W [M]
R117	ERDS2TJ473T	47K 1/4W [M]	R302	ERDS2TJ750T	75 1/4W [M]	R426	ERDS2TJ103T	10K 1/4W [M]	R474	ERDS2TJ103T	10K 1/4W [M]
R118	ERDS2TJ562T	5.6K 1/4W [M]	R303	ERDS2TJ750T	75 1/4W [M]	R427	ERDS2TJ103T	10K 1/4W [M]	R475	ERDS2TJ473T	47K 1/4W [M]
R119	ERDS2TJ183T	18K 1/4W [M]	R359	ERDS2TJ750T	75 1/4W [M]	R428	ERDS2TJ102T	1K 1/4W [M]	R476	ERDS2TJ473T	47K 1/4W [M]
R120	ERDS2TJ473T	47K 1/4W [M]	R362	ERDS2TJ750T	75 1/4W [M]	R429	ERDS2TJ104T	100K 1/4W [M]	R477	ERDS2TJ473T	47K 1/4W [M]
R121	ERDS2TJ332T	3.3K 1/4W [M]	R367	ERDS2TJ102T	1K 1/4W [M]	R431	ERDS2TJ562T	5.6K 1/4W [M]	R478	ERDS2TJ473T	47K 1/4W [M]
R122	ERDS2TJ272T	2.7K 1/4W [M]	R368	ERDS2TJ102T	1K 1/4W [M]	R432	ERDS2TJ562T	5.6K 1/4W [M]	R479	ERDS2TJ681T	680 1/4W [M]
R124	ERDS2TJ301T	300 1/4W [M]	R369	ERDS2TJ182T	1.8K 1/4W [M]	R433	ERDS2TJ562T	5.6K 1/4W [M]	R480	ERDS2TJ681T	680 1/4W [M]
R125	ERDS2TJ472T	4.7K 1/4W [M]	R370	ERDS2TJ182T	1.8K 1/4W [M]	R434	ERDS2TJ183T	18K 1/4W [M]	R481	ERDS2TJ561T	560 1/4W [M]
R126	ERDS2TJ472T	4.7K 1/4W [M]	R371	ERD2FCVG220T	22 1/4W [M]	R438	ERDS2TJ102T	1K 1/4W [M]	R482	ERDS2TJ121T	120 1/4W [M]
R127	ERDS2TJ103T	10K 1/4W [M]	R372	ERD2FCVG220T	22 1/4W [M]	R439	ERDS2TJ102T	1K 1/4W [M]	R483	ERDS2TJ392T	3.9K 1/4W [M]
R128	ERDS2TJ820T	82 1/4W [M]	R373	ERDS2TJ103T	10K 1/4W [M]	R440	ERDS1FVJ560T \triangle	56 1/2W [M]	R484	ERDS2TJ392T	3.9K 1/4W [M]
R129	ERDS2TJ473T	47K 1/4W [M]	R374	ERDS2TJ103T	10K 1/4W [M]	R441	ERDS2TJ473T	47K 1/4W [M]	R485	ERDS2TJ392T	3.9K 1/4W [M]
R130	ERDS2TJ102T	1K 1/4W [M]	R375	ERDS2TJ103T	10K 1/4W [M]	R442	ERDS2TJ473T	47K 1/4W [M]	R486	ERDS2TJ392T	3.9K 1/4W [M]
R131	ERDS2TJ102T	1K 1/4W [M]	R401	ERDS2TJ102T	1K 1/4W [M]	R443	ERDS1FVJ560T \triangle	56 1/2W [M]	R487	ERG1SJ181E \triangle	180 1W [M]
R132	ERDS2TJ103T	10K 1/4W [M]	R402	ERDS2TJ102T	1K 1/4W [M]	R444	ERDS2TJ103T	10K 1/4W [M]	R488	ERG1SJ181E \triangle	180 1W [M]
R133	ERDS2TJ102T	1K 1/4W [M]	R403	ERDS2TJ102T	1K 1/4W [M]	R445	ERDS2TJ103T	10K 1/4W [M]	R489	ERDS2TJ102T	1K 1/4W [M]
R134	ERDS2TJ102T	1K 1/4W [M]	R404	ERDS2TJ102T	1K 1/4W [M]	R446	ERDS2TJ103T	10K 1/4W [M]	R490	ERDS2TJ102T	1K 1/4W [M]
R135	ERDS2TJ102T	1K 1/4W [M]	R405	ERDS2TJ102T	1K 1/4W [M]	R451	ERDS2TJ224T	220K 1/4W [M]	R491	ERDS2TJ102T	1K 1/4W [M]
R136	ERDS2TJ102T	1K 1/4W [M]	R406	ERDS2TJ102T	1K 1/4W [M]	R452	ERDS2TJ224T	220K 1/4W [M]	R501	ERDS2TJ222T	2.2K 1/4W [M]
R137	ERDS2TJ102T	1K 1/4W [M]	R407	ERDS2TJ102T	1K 1/4W [M]	R453	ERDS2TJ391T	390 1/4W [M]	R502	ERDS2TJ222T	2.2K 1/4W [M]
R139	ERDS2TJ272T	2.7K 1/4W [M]	R408	ERDS2TJ102T	1K 1/4W [M]	R454	ERDS2TJ391T	390 1/4W [M]	R503	ERDS2TJ103T	10K 1/4W [M]
R140	ERDS2TJ272T	2.7K 1/4W [M]	R409	ERDS2TJ102T	1K 1/4W [M]	R455	ERDS2TJ563T	56K 1/4W [M]	R504	ERDS2TJ103T	10K 1/4W [M]
R141	ERDS2TJ102T	1K 1/4W [M]	R410	ERDS2TJ102T	1K 1/4W [M]	R456	ERDS2TJ563T	56K 1/4W [M]	R505	ERDS2TJ222T	2.2K 1/4W [M]
R142	ERDS2TJ102T	1K 1/4W [M]	R411	ERDS2TJ102T	1K 1/4W [M]	R457	ERDS2TJ271T	270 1/4W [M]	R506	ERDS2TJ222T	2.2K 1/4W [M]
R143	ERDS2TJ222T	2.2K 1/4W [M]	R412	ERDS2TJ102T	1K 1/4W [M]	R458	ERDS2TJ271T	270 1/4W [M]	R508	ERDS1FVJ2R2T \triangle	2.2 1/2W [M]

Ref No.	Part No.	Values & Remarks	Ref No.	Part No.	Values & Remarks	Ref No.	Part No.	Values & Remarks	Ref No.	Part No.	Values & Remarks
R511	ERDS2TJ471T	470 1/4W [M]	R597	ERDS2TJ102T	1K 1/4W [M]	R649	ERDS2TJ104T	100K 1/4W [M]	R724	RSFMC0R5KTL Δ	FUSE PROTECTOR[M]
R512	ERDS2TJ471T	470 1/4W [M]	R598	ERDS2TJ102T	1K 1/4W [M]	R651	ERDS2TJ102T	1K 1/4W [M]	R725	ERDS2TJ821T	820 1/4W [M]
R513	ERDS2TJ474T	470K 1/4W [M]	R603	ERDS2TJ182T	1.8K 1/4W [M]	R652	ERDS2TJ102T	1K 1/4W [M]	R726	ERD25FVJ151T	150 1/4W [M]
R514	ERDS2TJ474T	470K 1/4W [M]	R604	ERDS2TJ182T	1.8K 1/4W [M]	R653	ERDS2TJ563T	56K 1/4W [M]	R727	ERD25FVJ151T	150 1/4W [M]
R515	ERDS2TJ474T	470K 1/4W [M]	R605	ERDS2TJ221T	220 1/4W [M]	R654	ERDS2TJ563T	56K 1/4W [M]	R728	ERDS2TJ684T	680K 1/4W [M]
R516	ERDS2TJ474T	470K 1/4W [M]	R606	ERDS2TJ221T	220 1/4W [M]	R655	ERDS2TJ182T	1.8K 1/4W [M]	R729	ERDS2TJ684T	680K 1/4W [M]
R517	ERDS2TJ182T	1.8K 1/4W [M]	R607	ERDS2TJ563T	56K 1/4W [M]	R656	ERDS2TJ182T	1.8K 1/4W [M]	R730	ERDS1FVJ8R2T Δ	8.2 1/2W [M]
R518	ERDS2TJ182T	1.8K 1/4W [M]	R608	ERDS2TJ563T	56K 1/4W [M]	R657	ERDS2TJ563T	56K 1/4W [M]	R756	ERDS2TJ222T	2.2K 1/4W [M]
R519	ERDS2TJ332T	3.3K 1/4W [M]	R609	ERDS2TJ470T	47 1/4W [M]	R658	ERDS2TJ563T	56K 1/4W [M]	R766	ERDS2TJ473T	47K 1/4W [M]
R520	ERDS2TJ332T	3.3K 1/4W [M]	R610	ERDS2TJ470T	47 1/4W [M]	R659	ERDS2TJ221T	220 1/4W [M]	R767	ERDS2TJ154T	150K 1/4W [M]
R521	ERDS2TJ223T	22K 1/4W [M]	R611	ERDS1FVJ100T Δ	10 1/2W [M]	R660	ERDS2TJ221T	220 1/4W [M]	R768	ERDS2TJ102T	1K 1/4W [M]
R522	ERDS2TJ223T	22K 1/4W [M]	R612	ERDS1FVJ100T Δ	10 1/2W [M]	R661	ERDS1FVJ100T Δ	10 1/2W [M]	R769	ERDS2TJ103T	10K 1/4W [M]
R523	ERDS2TJ392T	3.9K 1/4W [M]	R613	ERDS2TJ152T	1.5K 1/4W [M]	R662	ERDS1FVJ100T Δ	10 1/2W [M]	R770	ERDS2TJ104T	100K 1/4W [M]
R524	ERDS2TJ392T	3.9K 1/4W [M]	R614	ERDS2TJ152T	1.5K 1/4W [M]	R663	ERDS2TJ470T	47 1/4W [M]	R771	ERDS2TJ104T	100K 1/4W [M]
R525	ERDS2TJ222T	2.2K 1/4W [M]	R615	ERDS2TJ681T	680 1/4W [M]	R664	ERDS2TJ470T	47 1/4W [M]	R773	ERDS2TJ103T	10K 1/4W [M]
R526	ERDS2TJ222T	2.2K 1/4W [M]	R616	ERD25FVJ820T	82 1/4W [M]	R665	ERDS2TJ102T	1K 1/4W [M]	R774	ERDS2TJ155T	1.5M 1/4W [M]
R527	ERDS2TJ821T	820 1/4W [M]	R617	ERD25FVJ820T	82 1/4W [M]	R666	ERDS2TJ102T	1K 1/4W [M]	R775	ERDS2TJ331T	330 1/4W [M]
R528	ERDS2TJ821T	820 1/4W [M]	R618	ERD25FVJ820T	82 1/4W [M]	R667	ERDS2TJ184T	180K 1/4W [M]	R776	ERDS1FVJ150T Δ	15 1/2W [M]
R529	ERDS2TJ273T	27K 1/4W [M]	R619	ERD25FVJ820T	82 1/4W [M]	R668	ERDS2TJ154T	150K 1/4W [M]	R777	ERDS2TJ154T	150K 1/4W [M]
R530	ERDS2TJ273T	27K 1/4W [M]	R620	ERD25FVJ220T	22 1/4W [M]	R669	ERDS2TJ563T	56K 1/4W [M]	R778	ERDS2TJ472T	4.7K 1/4W [M]
R531	ERDS2TJ332T	3.3K 1/4W [M]	R621	ERDS2TJ682T	6.8K 1/4W [M]	R670	ERDS2TJ563T	56K 1/4W [M]	R779	ERDS2TJ103T	10K 1/4W [M]
R532	ERDS2TJ332T	3.3K 1/4W [M]	R622	ERDS2TJ682T	6.8K 1/4W [M]	R671	ERD25FVJ151T	150 1/4W [M]	R780	ERDS1FVJ3R9T Δ	3.9 1/2W [M]
R533	ERDS2TJ473T	47K 1/4W [M]	R623	ERDS2TJ682T	6.8K 1/4W [M]	R672	ERD25FVJ151T	150 1/4W [M]	R782	ERDS2TJ390T	39 1/4W [M]
R534	ERDS2TJ473T	47K 1/4W [M]	R624	ERD25FVJ4R7T	4.7 1/4W [M]	R673	ERDS2TJ274T	270K 1/4W [M]	R784	ERDS2TJ154T	150K 1/4W [M]
R535	ERDS2TJ272T	2.7K 1/4W [M]	R625	ERG1SJ101E Δ	100 1W [M]	R674	ERDS2TJ684T	680K 1/4W [M]	R786	ERDS2TJ154T	150K 1/4W [M]
R536	ERDS2TJ272T	2.7K 1/4W [M]	R626	ERG1SJ101E Δ	100 1W [M]	R675	ERDS2TJ564T	560K 1/4W [M]	R791	ERDS2TJ123T	12K 1/4W [M]
R537	ERDS2TJ103T	10K 1/4W [M]	R627	ERG1SJ101E Δ	100 1W [M]	R676	ERDS2TJ101T	100 1/4W [M]	R792	ERDS2TJ123T	12K 1/4W [M]
R538	ERDS2TJ103T	10K 1/4W [M]	R628	ERG1SJ101E Δ	100 1W [M]	R677	ERDS2TJ473T	47K 1/4W [M]	R793	ERDS2TJ123T	12K 1/4W [M]
R543	ERDS2TJ102T	1K 1/4W [M]	R629	ERDS2TJ102T	1K 1/4W [M]	R678	ERDS2TJ473T	47K 1/4W [M]	R794	ERDS2TJ123T	12K 1/4W [M]
R544	ERDS2TJ102T	1K 1/4W [M]	R630	ERDS2TJ124T	120K 1/4W [M]	R699	ERDS2TJ821T	820 1/4W [M]	R795	ERDS2TJ223T	22K 1/4W [M]
R545	ERDS2TJ684T	680K 1/4W [M]	R631	ERDS2TJ154T	150K 1/4W [M]	R690	ERDS2TJ821T	820 1/4W [M]	R797	ERDS2TJ223T	22K 1/4W [M]
R546	ERDS2TJ223T	22K 1/4W [M]	R632	ERDS2TJ184T	180K 1/4W [M]	R698	ERDS2TJ152T	1.5K 1/4W [M]	R798	ERDS2TJ223T	22K 1/4W [M]
R550	ERDS2TJ822T	8.2K 1/4W [M]	R633	ERDS2TJ473T	47K 1/4W [M]	R699	ERDS2TJ152T	1.5K 1/4W [M]	R799	ERDS2TJ682T	6.8K 1/4W [M]
R551	ERDS2TJ104T	100K 1/4W [M]	R634	ERDS2TJ274T	270K 1/4W [M]	R703	ERDS1FVJ3R9T Δ	3.9 1/2W [M]	R891	ERDS2TJ103T	10K 1/4W [M]
R552	ERDS2TJ104T	100K 1/4W [M]	R635	ERDS2TJ154T	150K 1/4W [M]	R704	RSFMC0R5KTL Δ	FUSE PROTECTOR[M]	R892	ERDS2TJ103T	10K 1/4W [M]
R553	ERDS2TJ104T	100K 1/4W [M]	R636	ERDS2TJ473T	47K 1/4W [M]	R705	ERDS2TJ472T	4.7K 1/4W [M]	R893	ERDS2TJ103T	10K 1/4W [M]
R571	ERDS2TJ681T	680 1/4W [M]	R637	ERDS2TJ154T	150K 1/4W [M]	R706	ERDS2TJ102T	1K 1/4W [M]	R894	ERDS2TJ103T	10K 1/4W [M]
R572	ERDS2TJ681T	680 1/4W [M]	R638	ERDS2TJ154T	150K 1/4W [M]	R707	ERD25FVJ221T	220 1/4W [M]	R900	ERDS2TJ472T	4.7K 1/4W [M]
R573	ERDS2TJ272T	2.7K 1/4W [M]	R639	ERDS2TJ104T	100K 1/4W [M]	R708	ERDS2TJ152T	1.5K 1/4W [M]	R901	ERDS2TJ102T	1K 1/4W [M]
R574	ERDS2TJ272T	2.7K 1/4W [M]	R640	ERDS2TJ681T	680 1/4W [M]	R709	ERDS2TJ1R5T	1.5 1/4W [M]	R903	ERDS2TJ104T	100K 1/4W [M]
R575	ERDS2TJ681T	680 1/4W [M]	R641	ERDS2TJ104T	100K 1/4W [M]	R710	ERDS2TJ1R5T	1.5 1/4W [M]	R904	ERDS2TJ472T	4.7K 1/4W [M]
R576	ERDS2TJ272T	2.7K 1/4W [M]	R642	ERDS2TJ182T	1.8K 1/4W [M]	R711	ERDS2TJ752T	7.5K 1/4W [M]	R905	ERDS2TJ181T	180 1/4W [M]
R583	ERDS2TJ272T	2.7K 1/4W [M]	R643	ERDS2TJ563T	56K 1/4W [M]	R712	ERDS2TJ682T	6.8K 1/4W [M]	R906	ERDS2TJ182T	1.8K 1/4W [M]
R584	ERDS2TJ272T	2.7K 1/4W [M]	R644	ERDS1FVJ100T Δ	10 1/2W [M]	R713	ERDS2TJ390T	39 1/4W [M]	R907	ERDS2TJ104T	100K 1/4W [M]
R585	ERDS2TJ103T	10K 1/4W [M]	R645	ERDS2TJ470T	47 1/4W [M]	R714	ERDS2TJ390T	39 1/4W [M]	R908	ERDS2TJ104T	100K 1/4W [M]
R586	ERDS2TJ103T	10K 1/4W [M]	R646	ERDS2TJ332T	3.3K 1/4W [M]	R721	ERDS1FVJ221T Δ	220 1/2W [M]	R909	ERDS2TJ104T	100K 1/4W [M]
R595	ERDS2TJ102T	1K 1/4W [M]	R647	ERDS2TJ221T	220 1/4W [M]	R722	ERDS2TJ123T	12K 1/4W [M]	R910	ERDS2TJ102T	1K 1/4W [M]
R596	ERDS2TJ102T	1K 1/4W [M]	R648	ERDS2TJ683T	68K 1/4W [M]	R723	ERDS1FVJ3R9T Δ	3.9 1/2W [M]	R911	ERDS2TJ104T	100K 1/4W [M]

Ref No.	Part No.	Values & Remarks	Ref No.	Part No.	Values & Remarks	Ref No.	Part No.	Values & Remarks	Ref No.	Part No.	Values & Remarks
R914	ERDS2TJ223T	22K 1/4W [M]	R973	ERDS2TJ182T	1.8K 1/4W [M]	R1053	ERJ3GEYJ472V	4.7K 1/16W[M]	R1220	ERDS2TJ101T	100 1/4W [M]
R915	ERDS2TJ104T	100K 1/4W [M]	R974	ERDS2TJ122T	1.2K 1/4W [M]	R1054	ERJ3GEYJ472V	4.7K 1/16W[M]	R1221	ERDS2TJ224T	220K 1/4W [M]
R917	ERDS2TJ103T	10K 1/4W [M]	R977	ERDS2TJ102T	1K 1/4W [M]	R1055	ERJ3GEYJ330V	33 1/16W[M]	R1222	ERDS2TJ222T	2.2K 1/4W [M]
R918	ERDS2TJ102T	1K 1/4W [M]	R978	ERDS2TJ102T	1K 1/4W [M]	R1057	ERJ3GEYJ330V	33 1/16W[M]	R1223	ERDS2TJ103T	10K 1/4W [M]
R919	ERDS2TJ102T	1K 1/4W [M]	R991	ERDS2TJ104T	100K 1/4W [M]	R1058	ERJ3GEY0R00V	0 1/16W[M]	R1224	ERDS2TJ104T	100K 1/4W [M]
R920	ERDS2TJ271T	270 1/4W [M]	R992	ERDS2TJ104T	100K 1/4W [M]	R1059	ERJ3GEYJ330V	33 1/16W[M]	R1225	ERDS2TJ103T	10K 1/4W [M]
R921	ERDS2TJ121T	120 1/4W [M]	R993	ERDS2TJ104T	100K 1/4W [M]	R1060	ERJ3GEYJ102Z	1K 1/16W[M]	R1226	ERDS2TJ103T	10K 1/4W [M]
R922	ERDS2TJ472T	4.7K 1/4W [M]	R994	ERDS2TJ104T	100K 1/4W [M]	R1061	ERJ3GEYJ104Z	100K 1/16W[M]	R1227	ERDS2TJ124T	120K 1/4W [M]
R924	ERDS2TJ103T	10K 1/4W [M]	R995	ERDS2TJ104T	100K 1/4W [M]	R1062	ERJ3GEYJ102Z	1K 1/16W[M]	R1228	ERDS2TJ124T	120K 1/4W [M]
R927	ERDS2TJ181T	180 1/4W [M]	R996	ERDS2TJ104T	100K 1/4W [M]	R1063	ERJ3GEYJ104Z	100K 1/16W[M]	R1229	ERDS2TJ272T	2.7K 1/4W [M]
R929	ERDS2TJ101T	100 1/4W [M]	R997	ERDS2TJ101T	100 1/4W [M]	R1064	ERJ3GEYJ103Z	10K 1/16W[M]	R1230	ERDS2TJ272T	2.7K 1/4W [M]
R930	ERDS2TJ101T	100 1/4W [M]	R998	ERDS2TJ101T	100 1/4W [M]	R1065	ERJ3GEYJ103Z	10K 1/16W[M]	R1231	ERDS2TJ332T	3.3K 1/4W [M]
R931	ERDS2TJ271T	270 1/4W [M]	R1011	ERJ3GEYJ102Z	1K 1/16W[M]	R1066	ERJ3GEYJ102Z	1K 1/16W[M]	R1232	ERDS2TJ332T	3.3K 1/4W [M]
R932	ERDS2TJ271T	270 1/4W [M]	R1012	ERJ3GEYJ104Z	100K 1/16W[M]	R1067	ERJ3GEYJ102Z	1K 1/16W[M]	R1233	ERDS2TJ562T	5.6K 1/4W [M]
R933	ERDS2TJ271T	270 1/4W [M]	R1013	ERJ3GEYJ102Z	1K 1/16W[M]	R1068	ERJ3GEYJ330V	33 1/16W[M]	R1234	ERDS2TJ562T	5.6K 1/4W [M]
R934	ERDS2TJ271T	270 1/4W [M]	R1014	ERJ3GEYJ102Z	1K 1/16W[M]	R1069	ERJ3GEYJ102Z	1K 1/16W[M]	R1235	ERDS2TJ153T	15K 1/4W [M]
R935	ERDS2TJ271T	270 1/4W [M]	R1015	ERJ3GEYJ102Z	1K 1/16W[M]	R1070	ERJ3GEYJ102Z	1K 1/16W[M]	R1236	ERDS2TJ153T	15K 1/4W [M]
R936	ERDS2TJ271T	270 1/4W [M]	R1016	ERJ3GEYJ102Z	1K 1/16W[M]	R1071	ERJ3GEYJ472V	4.7K 1/16W[M]	R1237	ERDS2TJ222T	2.2K 1/4W [M]
R937	ERDS2TJ271T	270 1/4W [M]	R1017	ERJ3GEYJ102Z	1K 1/16W[M]	R1072	ERJ3GEYJ102Z	1K 1/16W[M]	R1238	ERDS2TJ222T	2.2K 1/4W [M]
R939	ERDS2TJ271T	270 1/4W [M]	R1018	ERJ3GEYJ331V	330 1/16W[M]	R1073	ERJ3GEYJ102Z	1K 1/16W[M]	R1239	ERDS2TJ222T	2.2K 1/4W [M]
R940	ERDS2TJ271T	270 1/4W [M]	R1019	ERJ3GEYJ331V	330 1/16W[M]	R1074	ERJ3GEYJ472V	4.7K 1/16W[M]	R1240	ERDS2TJ222T	2.2K 1/4W [M]
R941	ERDS2TJ271T	270 1/4W [M]	R1020	ERJ3GEYJ331V	330 1/16W[M]	R1075	ERJ3GEYJ472V	4.7K 1/16W[M]	R1241	ERDS2TJ124T	120K 1/4W [M]
R942	ERDS2TJ181T	180 1/4W [M]	R1021	ERJ3GEYJ473V	47K 1/16W[M]	R1076	ERJ3GEYJ472V	4.7K 1/16W[M]	R1242	ERDS2TJ124T	120K 1/4W [M]
R943	ERDS2TJ102T	1K 1/4W [M]	R1022	ERJ3GEYJ1R5V	1.5 1/16W[M]	R1077	ERJ3GEYJ472V	4.7K 1/16W[M]	R1243	ERDS2TJ272T	2.7K 1/4W [M]
R944	ERDS2TJ104T	100K 1/4W [M]	R1023	ERJ3GEYJ102Z	1K 1/16W[M]	R1078	ERJ3GEYJ472V	4.7K 1/16W[M]	R1244	ERDS2TJ183T	18K 1/4W [M]
R945	ERDS2TJ104T	100K 1/4W [M]	R1024	ERJ3GEYJ101V	100 1/16W[M]	R1079	ERJ3GEYJ472V	4.7K 1/16W[M]	R1245	ERDS2TJ332T	3.3K 1/4W [M]
R946	ERDS2TJ103T	10K 1/4W [M]	R1025	ERJ3GEYJ101V	100 1/16W[M]	R1080	ERJ3GEYJ472V	4.7K 1/16W[M]	R1246	ERDS2TJ332T	3.3K 1/4W [M]
R947	ERDS2TJ103T	10K 1/4W [M]	R1026	ERJ3GEYJ101V	100 1/16W[M]	R1081	ERJ3GEYJ472V	4.7K 1/16W[M]	R1247	ERDS2TJ562T	5.6K 1/4W [M]
R950	ERDS2TJ102T	1K 1/4W [M]	R1027	ERJ3GEYJ101V	100 1/16W[M]	R1083	ERJ3GEYJ101V	100 1/16W[M]	R1248	ERDS2TJ222T	2.2K 1/4W [M]
R951	ERDS2TJ122T	1.2K 1/4W [M]	R1028	ERJ3GEYJ101V	100 1/16W[M]	R1201	ERDS2TJ333T	33K 1/4W [M]	R1249	ERDS2TJ153T	15K 1/4W [M]
R952	ERDS2TJ152T	1.5K 1/4W [M]	R1029	ERJ3GEYJ101V	100 1/16W[M]	R1202	ERDS2TJ333T	33K 1/4W [M]	R1250	ERDS2TJ820T	82 1/4W [M]
R953	ERDS2TJ182T	1.8K 1/4W [M]	R1030	ERJ3GEYJ470V	47K 1/16W[M]	R1203	ERDS2TJ820T	82 1/4W [M]	R1251	ERDS2TJ222T	2.2K 1/4W [M]
R954	ERDS2TJ222T	2.2K 1/4W [M]	R1031	ERJ3GEYJ470V	47K 1/16W[M]	R1204	ERDS2TJ820T	82 1/4W [M]	R1253	ERDS2TJ222T	2.2K 1/4W [M]
R955	ERDS2TJ332T	3.3K 1/4W [M]	R1032	ERJ3GEYJ470V	47K 1/16W[M]	R1205	ERDS2TJ102T	1K 1/4W [M]	R1255	ERDS2TJ332T	3.3K 1/4W [M]
R956	ERDS2TJ472T	4.7K 1/4W [M]	R1033	ERJ3GEYJ102Z	1K 1/16W[M]	R1206	ERDS2TJ102T	1K 1/4W [M]	R1256	ERDS2TJ473T	47K 1/4W [M]
R957	ERDS2TJ682T	6.8K 1/4W [M]	R1034	ERJ3GEYJ330V	33 1/16W[M]	R1207	ERDS2TJ392T	3.9K 1/4W [M]	R1257	ERDS2TJ473T	47K 1/4W [M]
R960	ERDS2TJ102T	1K 1/4W [M]	R1041	ERJ3GEYJ102Z	1K 1/16W[M]	R1208	ERDS2TJ392T	3.9K 1/4W [M]	R1258	ERDS2TJ473T	47K 1/4W [M]
R961	ERDS2TJ122T	1.2K 1/4W [M]	R1042	ERJ3GEYJ331V	330 1/16W[M]	R1209	ERDS2TJ332T	3.3K 1/4W [M]	R1259	ERDS2TJ473T	47K 1/4W [M]
R962	ERDS2TJ152T	1.5K 1/4W [M]	R1043	ERJ3GEYJ102Z	1K 1/16W[M]	R1210	ERDS2TJ332T	3.3K 1/4W [M]	R1260	ERDS2TJ473T	47K 1/4W [M]
R963	ERDS2TJ182T	1.8K 1/4W [M]	R1044	ERJ3GEYJ102Z	1K 1/16W[M]	R1211	ERDS2TJ472T	4.7K 1/4W [M]	R1261	ERDS2TJ224T	220K 1/4W [M]
R964	ERDS2TJ222T	2.2K 1/4W [M]	R1045	ERJ3GEYJ102Z	1K 1/16W[M]	R1212	ERDS2TJ472T	4.7K 1/4W [M]	R1262	ERDS2TJ224T	220K 1/4W [M]
R965	ERDS2TJ332T	3.3K 1/4W [M]	R1046	ERJ3GEYJ102Z	1K 1/16W[M]	R1213	ERDS2TJ332T	3.3K 1/4W [M]	R1263	ERDS2TJ223T	22K 1/4W [M]
R966	ERDS2TJ472T	4.7K 1/4W [M]	R1047	ERJ3GEYJ102Z	1K 1/16W[M]	R1214	ERDS2TJ332T	3.3K 1/4W [M]	R1264	ERDS2TJ223T	22K 1/4W [M]
R967	ERDS2TJ682T	6.8K 1/4W [M]	R1048	ERJ3GEYJ102Z	1K 1/16W[M]	R1215	ERDS2TJ562T	5.6K 1/4W [M]	R1265	ERDS2TJ472T	4.7K 1/4W [M]
R968	ERDS2TJ123T	12K 1/4W [M]	R1049	ERJ3GEYJ100V	10 1/16W[M]	R1216	ERDS2TJ562T	5.6K 1/4W [M]	R1266	ERDS2TJ472T	4.7K 1/4W [M]
R970	ERDS2TJ102T	1K 1/4W [M]	R1050	ERJ3GEYJ472V	4.7K 1/16W[M]	R1217	ERDS2TJ103T	10K 1/4W [M]	R1267	ERDS2TJ103T	10K 1/4W [M]
R971	ERDS2TJ122T	1.2K 1/4W [M]	R1051	ERJ3GEYJ472V	4.7K 1/16W[M]	R1218	ERDS2TJ103T	10K 1/4W [M]	R1268	ERDS2TJ103T	10K 1/4W [M]
R972	ERDS2TJ152T	1.5K 1/4W [M]	R1052	ERJ3GEYJ472V	4.7K 1/16W[M]	R1219	ERDS2TJ222T	2.2K 1/4W [M]	R1269	ERDS2TJ103T	10K 1/4W [M]

Ref No.	Part No.	Values & Remarks	Ref No.	Part No.	Values & Remarks	Ref No.	Part No.	Values & Remarks	Ref No.	Part No.	Values & Remarks
R1270	ERDS2TJ103T	10K 1/4W [M]	R1905	ERDS2TJ271T	270 1/4W [M]		CAPACITORS		C148	ECBT1C103NS5	0.01 16V [M]
R1271	ERDS2TJ103T	10K 1/4W [M]	R1906	ERDS2TJ101T	100 1/4W [M]				C149	ECBT1C103NS5	0.01 16V [M]
R1272	ERDS2TJ103T	10K 1/4W [M]	R1907	ERDS2TJ101T	100 1/4W [M]	C101	ECBT1C103NS5	0.01 16V [M]	C150	ECBT1H104ZF5	0.1 50V [M]
R1281	ERDS2TJ152T	1.5K 1/4W [M]	R1909	ERDS2TJ102T	1K 1/4W [M]	C103	ECBT1C103NS5	0.01 16V [M]	C172	ECBT1H331KB5	330P 50V [M]
R1282	ERG1S181E Δ	180 1W [M]	R1910	ERDS2TJ102T	1K 1/4W [M]	C104	ECBT1H102KB5	1000P 50V [M]	C173	ECEA1CKA220B	22 16V [M]
R1283	ERG1S181E Δ	180 1W [M]	R1911	ERDS2TJ102T	1K 1/4W [M]	C105	ECBT1H470J5	47P 50V [M]	C174	ECEA1CKA101B	100 16V [M]
R1284	ERDS2TJ102T	1K 1/4W [M]	R1912	ERDS2TJ102T	1K 1/4W [M]	C106	ECBT1C103NS5	0.01 16V [M]	C175	ECBT1C103NS5	0.01 16V [M]
R1285	ERDS2TJ102T	1K 1/4W [M]	R1913	ERDS2TJ102T	1K 1/4W [M]	C107	ECBT1H473ZF5	0.047 50V [M]	C176	ECBT1C103NS5	0.01 16V [M]
R1286	ERDS2TJ102T	1K 1/4W [M]	R1914	ERDS2TJ102T	1K 1/4W [M]	C108	ECBT1H8R2KC5	8.2P 50V [M]	C181	ECBT1H471KB5	470P 50V [M]
R1301	ERDS2TJ332T	3.3K 1/4W [M]	R1915	ERDS2TJ101T	100 1/4W [M]	C109	ECBT1C103NS5	0.01 16V [M]	C196	ECBT1H102KB5	1000P 50V [M]
R1302	ERDS2TJ102T	1K 1/4W [M]	R1916	ERDS2TJ101T	100 1/4W [M]	C110	ECBT1C103NS5	0.01 16V [M]	C308	ECEA0JKA101B	100 6.3V [M]
R1303	ERDS2TJ470T	47 1/4W [M]	R1917	ERDS2TJ102T	1K 1/4W [M]	C111	ECEA1EKA4R7B	4.7 25V [M]	C309	ECEA0JKA101B	100 6.3V [M]
R1304	ERDS2TJ332T	3.3K 1/4W [M]	R1918	ERDS2TJ102T	1K 1/4W [M]	C112	ECBT1C103NS5	0.01 16V [M]	C329	ECBT1H470J5	47P 50V [M]
R1305	ERDS2TJ102T	1K 1/4W [M]	R1919	ERDS2TJ102T	1K 1/4W [M]	C113	ECBT1H102KB5	1000P 50V [M]	C330	ECBT1H470J5	47P 50V [M]
R1306	ERDS2TJ470T	47 1/4W [M]	R1920	ERDS2TJ102T	1K 1/4W [M]	C114	ECEA1HKA3R3B	3.3 60V [M]	C351	ECEA0JKA101B	100 6.3V [M]
R1307	ERDS2TJ151T	150 1/4W [M]	R1922	ERDS2TJ104T	100K 1/4W [M]	C115	ECEA1EKA4R7B	4.7 25V [M]	C352	ECEA0JKA101B	100 6.3V [M]
R1308	ERDS2TJ100T	10 1/4W [M]	R1923	ERDS2TJ102T	1K 1/4W [M]	C116	ECBT1C822MS5	8200P 16V [M]	C354	ECBT1H104ZF5	0.1 50V [M]
R1309	ERDS2TJ470T	47 1/4W [M]	R1924	ERDS2TJ102T	1K 1/4W [M]	C117	ECQB1H471JM3	470P 50V [M]	C355	ECBT1H104ZF5	0.1 50V [M]
R1681	ERDS2TJ270T	27 1/4W [M]	R1925	ERDS2TJ102T	1K 1/4W [M]	C118	ECQB1H103JM3	0.01 50V [M]	C357	ECBT1E103ZF5	0.01 25V [M]
R1682	ERDS2TJ270T	27 1/4W [M]	R1926	ERDS2TJ102T	1K 1/4W [M]	C119	ECQB1H103JM3	0.01 50V [M]	C358	ECBT1E103ZF5	0.01 25V [M]
R1683	ERDS2TJ270T	27 1/4W [M]	R1928	ERDS2TJ101T	100 1/4W [M]	C120	ECEA1HKA010B	1 50V [M]	C373	ECEA1CKA470B	47 16V [M]
R1684	ERDS2TJ270T	27 1/4W [M]	R1929	ERDS2TJ101T	100 1/4W [M]	C121	ECEA1HKA010B	1 50V [M]	C374	ECEA1CKA470B	47 16V [M]
R1685	ERDS2TJ270T	27 1/4W [M]	R1930	ERDS2TJ101T	100 1/4W [M]	C122	ECEA1HKA2R2B	2.2 50V [M]	C375	ECEA1CKA470B	47 16V [M]
R1686	ERDS2TJ270T	27 1/4W [M]	R1931	ERDS2TJ101T	100 1/4W [M]	C123	ECEA1HKA010B	1 50V [M]	C401	ECEA1VKA4R7B	4.7 35V [M]
R1687	ERDS2TJ270T	27 1/4W [M]	R1932	ERDS2TJ101T	100 1/4W [M]	C124	ECBT1H102KB5	1000P 50V [M]	C402	ECEA1VKA4R7B	4.7 35V [M]
R1688	ERDS2TJ270T	27 1/4W [M]	R1933	ERDS2TJ101T	100 1/4W [M]	C125	ECBT1H150JC5	15P 50V [M]	C403	ECBT1E103ZF5	0.01 25V [M]
R1689	ERDS2TJ270T	27 1/4W [M]	R1934	ERDS2TJ101T	100 1/4W [M]	C126	ECBT1H104ZF5	0.1 50V [M]	C404	ECBT1E103ZF5	0.01 25V [M]
R1690	ERDS2TJ270T	27 1/4W [M]	R1935	ERDS2TJ101T	100 1/4W [M]	C127	ECEA1CKA220B	22 16V [M]	C405	ECBT1H101KB5	100P 50V [M]
R1691	ERDS2TJ270T	27 1/4W [M]	R1936	ERDS2TJ101T	100 1/4W [M]	C128	ECBT1C103NS5	0.01 16V [M]	C406	ECBT1H101KB5	100P 50V [M]
R1692	ERDS2TJ270T	27 1/4W [M]	R1937	ERDS2TJ101T	100 1/4W [M]	C129	ECEA0JKA101B	100 6.3V [M]	C409	ECEA1CKA220B	22 16V [M]
R1693	ERDS2TJ270T	27 1/4W [M]	R1938	ERDS2TJ101T	100 1/4W [M]	C130	ECEA0JKA101B	100 6.3V [M]	C410	ECEA1CKA220B	22 16V [M]
R1694	ERDS2TJ270T	27 1/4W [M]	R1939	ERDS2TJ101T	100 1/4W [M]	C131	ECBT1C103NS5	0.01 16V [M]	C411	ECBT1H101KB5	100P 50V [M]
R1695	ERDS2TJ102T	1K 1/4W [M]	R1940	ERDS2TJ103T	10K 1/4W [M]	C132	ECBT1H102KB5	1000P 50V [M]	C412	ECBT1H101KB5	100P 50V [M]
R1696	ERDS2TJ102T	1K 1/4W [M]	R1941	ERDS2TJ101T	100 1/4W [M]	C133	ECBT1H150JC5	15P 50V [M]	C413	ECEA1CKA100B	10 16V [M]
R1699	ERDS2TJ332T	3.3K 1/4W [M]	R1942	ERDS2TJ101T	100 1/4W [M]	C134	ECBT1H180JC5	18P 50V [M]	C414	ECEA1CKA100B	10 16V [M]
R1701	ERDS1FVJ4R7T Δ	4.7 1/2W [M]	R1943	ERDS2TJ101T	100 1/4W [M]	C135	ECBT1C103MS5	0.01 16V [M]	C415	ECBT1E103ZF5	0.01 25V [M]
R1702	ERDS1FVJ4R7T Δ	4.7 1/2W [M]	R1945	ERDS2TJ101T	100 1/4W [M]	C136	ECBT1C103MS5	0.01 16V [M]	C416	ECBT1E103ZF5	0.01 25V [M]
R1703	ERDS1FVJ2R7T Δ	2.7 1/2W [M]	R1946	ERDS2TJ102T	1K 1/4W [M]	C137	ECBT1H561KB5	560P 50V [M]	C417	ECEA1CKA100B	10 16V [M]
R1704	ERDS1FVJ2R7T Δ	2.7 1/2W [M]				C138	ECBT1H561KB5	560P 50V [M]	C418	ECEA1CKA100B	10 16V [M]
R1705	ERDS1FVJ2R7T Δ	2.7 1/2W [M]				C139	ECQB1H682JM3	6800P 50V [M]	C419	ECBT1H331KB5	330P 50V [M]
R1707	ERDS2TJ272T	2.7K 1/4W [M]				C140	ECQB1H682JM3	6800P 50V [M]	C420	ECEA1HKA3R3B	3.3 50V [M]
R1708	ERDS2TJ471T	470 1/4W [M]				C141	ECEA1HKA010B	1 50V [M]	C421	ECBT1H101KB5	100P 50V [M]
R1709	ERDS2TJ471T	470 1/4W [M]				C142	ECEA1HKA010B	1 50V [M]	C422	ECBT1H101KB5	100P 50V [M]
R1710	ERDS2TJ272T	2.7K 1/4W [M]				C143	ECEA1HKA010B	1 50V [M]	C423	ECBT1H331KB5	330P 50V [M]
R1901	ERDS2TJ102T	1K 1/4W [M]				C144	ECEA1HKA010B	1 50V [M]	C424	ECBT1H331KB5	330P 50V [M]
R1902	ERDS2TJ472T	4.7K 1/4W [M]				C145	ECBT1H220JC5	22P 50V [M]	C425	ECBT1H331KB5	330P 50V [M]
R1903	ERDS2TJ104T	100K 1/4W [M]				C146	ECBT1H331KB5	330P 50V [M]	C426	ECBT1H331KB5	330P 50V [M]
R1904	ERDS2TJ121T	120 1/4W [M]				C147	ECBT1H102KB5	1000P 50V [M]	C427	ECBT1H331KB5	330P 50V [M]

Ref No.	Part No.	Values & Remarks	Ref No.	Part No.	Values & Remarks	Ref No.	Part No.	Values & Remarks	Ref No.	Part No.	Values & Remarks
C428	ECBT1H331KB5	330P 50V [M]	C484	ECEA1HKA3R3B	3.3 50V [M]	C551	ECEA1HKA3R3B	3.3 50V [M]	C650	ECBT1H102KB5	1000P 50V [M]
C429	ECBT1H101KB5	100P 50V [M]	C485	ECEA1HKA3R3B	3.3 50V [M]	C552	ECEA1HKA3R3B	3.3 50V [M]	C651	ECEA1HN3R3SB	3.3 50V [M]
C430	ECBT1H101KB5	100P 50V [M]	C486	ECEA1HKA3R3B	3.3 50V [M]	C553	ECEA1CKA100B	10 16V [M]	C652	ECEA1HN3R3SB	3.3 50V [M]
C431	ECBT1H101KB5	100P 50V [M]	C487	ECEA1CKA100B	10 16V [M]	C554	ECEA1CKA100B	10 16V [M]	C653	ECBT1H661KB5	660P 50V [M]
C432	ECBT1H101KB5	100P 50V [M]	C488	ECEA1CKA100B	10 16V [M]	C571	ECEA1CKA220B	22 16V [M]	C654	ECBT1H661KB5	660P 50V [M]
C433	ECBT1H101KB5	100P 50V [M]	C489	ECEA1CKA100B	10 16V [M]	C572	ECEA1CKA220B	22 16V [M]	C655	ECEA1JU220B	22 63V [M]
C434	ECBT1H101KB5	100P 50V [M]	C490	ECBT1H101KB5	100P 50V [M]	C573	ECBT1H561KB5	560P 50V [M]	C656	ECEA1JU220B	22 63V [M]
C435	ECBT1H331KB5	330P 50V [M]	C491	ECBT1H101KB5	100P 50V [M]	C574	ECBT1H561KB5	560P 50V [M]	C657	ECCR1H100K5	10P 50V [M]
C436	ECBT1H331KB5	330P 50V [M]	C492	ECBT1H101KB5	100P 50V [M]	C575	ECEA1CKA220B	22 16V [M]	C658	ECCR1H100K5	10P 50V [M]
C437	ECBT1H331KB5	330P 50V [M]	C493	ECBT1E103ZF5	0.01 25V [M]	C576	ECBT1H561KB5	560P 50V [M]	C659	ECBT1H221KB5	220P 50V [M]
C438	ECBT1H331KB5	330P 50V [M]	C494	ECBT1E103ZF5	0.01 25V [M]	C577	ECBT1E103ZF5	0.01 25V [M]	C660	ECBT1H221KB5	220P 50V [M]
C439	ECBT1H101KB5	100P 50V [M]	C495	ECBT1H101KB5	100P 50V [M]	C578	ECBT1E103ZF5	0.01 25V [M]	C661	ECQV1H104JZ3	0.1 50V [M]
C440	ECBT1E103ZF5	0.01 25V [M]	C496	ECBT1H101KB5	100P 50V [M]	C585	ECEA1CKA220B	22 16V [M]	C662	ECQV1H104JZ3	0.1 50V [M]
C441	ECEA1VKA4R7B	4.7 35V [M]	C497	ECBT1H101KB5	100P 50V [M]	C586	ECEA1CKA100B	10 16V [M]	C663	ECQV1H104JZ3	0.1 50V [M]
C442	ECEA1VKA4R7B	4.7 35V [M]	C498	ECBT1C103KS5	0.01 16V [M]	C601	ECA1JM330B	33 6.3V [M]	C664	ECQV1H473JZ3	0.047 50V [M]
C443	ECBT1E103ZF5	0.01 25V [M]	C499	ECBT1E103ZF5	0.01 25V [M]	C602	ECA1JM330B	33 6.3V [M]	C665	ECBT1H661KB5	660P 50V [M]
C444	ECBT1E103ZF5	0.01 25V [M]	C503	ECEA0JKA101B	100 6.3V [M]	C603	ECBT1H821KB5	820P 50V [M]	C666	ECBT1H661KB5	660P 50V [M]
C451	ECEA1VKA4R7B	4.7 35V [M]	C504	ECEA0JKA101B	100 6.3V [M]	C604	ECBT1H821KB5	820P 50V [M]	C667	ECEA2AU100B	10 100V [M]
C452	ECEA1VKA4R7B	4.7 35V [M]	C505	ECFR1C104MR	0.1 16V [M]	C607	ECCR1H180KC5	18P 50V [M]	C668	ECEA2AU100B	10 100V [M]
C453	ECBT1H100J5	10P 50V [M]	C506	ECFR1C104MR	0.1 16V [M]	C608	ECCR1H180KC5	18P 50V [M]	C669	ECEA2AN2R2SB	2.2 100V [M]
C454	ECBT1H100J5	10P 50V [M]	C511	ECEA1HKA3R3B	3.3 50V [M]	C611	ECQV1H104JZ3	0.1 50V [M]	C670	ECEA1JU220B	22 63V [M]
C455	ECBT1H102KB5	1000P 50V [M]	C512	ECEA1HKA3R3B	3.3 50V [M]	C612	ECQV1H104JZ3	0.1 50V [M]	C671	ECA1JM330B	33 6.3V [M]
C456	ECBT1H102KB5	1000P 50V [M]	C513	ECBT1H150J5	15P 50V [M]	C613	ECQV1H104JZ3	0.1 50V [M]	C672	ECBT1H102KB5	1000P 50V [M]
C457	ECEA1AKA330B	33 10V [M]	C514	ECBT1H150J5	15P 50V [M]	C614	ECQV1H104JZ3	0.1 50V [M]	C673	ECEA2AU100B	10 100V [M]
C458	ECEA1AKA330B	33 10V [M]	C515	ECBT1H221KB5	220P 50V [M]	C615	ECBT1E103ZF5	0.01 25V [M]	C691	ECBT1E103ZF5	0.01 25V [M]
C459	ECFR1E223KR	0.022 25V [M]	C516	ECBT1H221KB5	220P 50V [M]	C616	ECA1EM101B	100 25V [M]	C698	ECBT1H181KB5	180P 50V [M]
C460	ECFR1E223KR	0.022 25V [M]	C517	ECBT1H330J5	33P 50V [M]	C617	ECEA2AN2R2SB	2.2 100V [M]	C698	ECKR1H181KB5	180P 50V [M]
C461	ECFR1E682KR	6800P 25V [M]	C518	ECBT1H330J5	33P 50V [M]	C618	ECBT1H102KB5	1000P 50V [M]	C701	ECBT1E103ZF5	0.01 25V [M]
C462	ECFR1E682KR	6800P 25V [M]	C519	ECEA1VKA4R7B	4.7 35V [M]	C619	ECA1EM101B	100 25V [M]	C702	ECQE2104KF3	0.1 250V [M]
C463	ECEA1VKA4R7B	4.7 35V [M]	C520	ECEA1VKA4R7B	4.7 35V [M]	C621	ECEA2AU100B	10 100V [M]	C703	ECES75V752UM Δ	7500 75V [M]
C464	ECEA1VKA4R7B	4.7 35V [M]	C521	ECEA1VKA4R7B	4.7 35V [M]	C622	ECEA2AU100B	10 100V [M]	C704	ECES75V752UM Δ	7500 75V [M]
C465	ECBT1E103ZF5	0.01 25V [M]	C522	ECEA1VKA4R7B	4.7 35V [M]	C625	ECEA1HN100SB	10 50V [M]	C705	ECES1VV472N Δ	4700 35V [M]
C466	ECBT1E103ZF5	0.01 25V [M]	C523	ECFR1E123KR	0.012 25V [M]	C626	ECEA1HN100SB	10 50V [M]	C706	ECES1VV472N Δ	4700 35V [M]
C469	ECBT1H181KB5	180P 50V [M]	C524	ECFR1E123KR	0.012 25V [M]	C631	ECKR1H223ZF5	0.022 50V [M]	C707	ECA1VM101B	100 35V [M]
C470	ECBT1H181KB5	180P 50V [M]	C525	ECQV1H683JM3	0.068 50V [M]	C632	ECKR1H223ZF5	0.022 50V [M]	C708	ECKR1H103ZF5	0.01 50V [M]
C471	ECEA1HKA3R3B	3.3 50V [M]	C526	ECQV1H683JM3	0.068 50V [M]	C633	ECKR1H223ZF5	0.022 50V [M]	C709	ECEA1CKA330B	33 16V [M]
C472	ECEA1HKA3R3B	3.3 50V [M]	C527	ECBT1C562KR5	5600P 16V [M]	C634	ECKR1H223ZF5	0.022 50V [M]	C710	ECBT1E103ZF5	0.01 25V [M]
C473	ECEA1HKA3R3B	3.3 50V [M]	C528	ECBT1C562KR5	5600P 16V [M]	C635	ECKR1H223ZF5	0.022 50V [M]	C711	ECKR1H103ZF5	0.01 50V [M]
C474	ECEA1HKA3R3B	3.3 50V [M]	C529	ECQB1H273JM3	0.027 50V [M]	C637	ECKR1H223ZF5	0.022 50V [M]	C712	ECEA1HKA100B	10 50V [M]
C475	ECEA1CKA100B	10 16V [M]	C530	ECQB1H273JM3	0.027 50V [M]	C638	ECKR1H223ZF5	0.022 50V [M]	C713	ECKR1H103ZF5	0.01 50V [M]
C476	ECEA1CKA100B	10 16V [M]	C531	ECBT1E103ZF5	0.01 25V [M]	C639	ECKR1H102ZF5	1000P 50V [M]	C714	ECEA1EKA470B	47 25V [M]
C477	ECBT1E103ZF5	0.01 25V [M]	C532	ECBT1E103ZF5	0.01 25V [M]	C640	ECKR1H102ZF5	1000P 50V [M]	C715	ECEA1CKA101B	100 16V [M]
C478	ECBT1E103ZF5	0.01 25V [M]	C533	ECEA1CKA220B	22 16V [M]	C641	ECA1JM330B	33 6.3V [M]	C721	ECQE2104KF3	0.1 250V [M]
C479	ECEA1HKA3R3B	3.3 50V [M]	C534	ECEA1CKA220B	22 16V [M]	C642	ECBT1H821KB5	820P 50V [M]	C722	ECQE2104KF3	0.1 250V [M]
C480	ECEA1HKA3R3B	3.3 50V [M]	C535	ECBT1H104ZF5	0.1 50V [M]	C643	ECCR1H180KC5	18P 50V [M]	C741	ECQV1H104JZ3	0.1 50V [M]
C481	ECEA1HKA3R3B	3.3 50V [M]	C536	ECBT1H104ZF5	0.1 50V [M]	C644	ECQV1H104JZ3	0.1 50V [M]	C742	ECA1AM472E Δ	4700 10V [M]
C482	ECEA1HKA3R3B	3.3 50V [M]	C537	ECEA1CKA100B	10 16V [M]	C645	ECQV1H104JZ3	0.1 50V [M]	C751	ECKWRS102MBC	1000P 400V [M]
C483	ECEA1HKA3R3B	3.3 50V [M]	C538	ECEA1CKA100B	10 16V [M]	C646	ECQE2334B117	0.33 250V [M]	C752	ECKR1H103ZF5	0.01 50V [M]

Ref No.	Part No.	Values & Remarks	Ref No.	Part No.	Values & Remarks	Ref No.	Part No.	Values & Remarks	Ref No.	Part No.	Values & Remarks
C753	ECA1EM331B	330 25V [M]	C943	ECBT1H331KB5	330P 50V [M]	C1070	ECUV1H102KBV	1000P 50V [M]	C1243	ECEA1VKA4R7B	4.7 35V [M]
C754	ECBT1E103ZF5	0.01 25V [M]	C944	ECEA1CKA100B	10 16V [M]	C1071	ECUVNC104ZFV	0.1 16V [M]	C1244	ECEA1VKA4R7B	4.7 35V [M]
C755	ECEA1CKA470B	47 16V [M]	C945	ECBT1H103ZF5	0.01 50V [M]	C1072	ECUV1H101JCV	100P 50V [M]	C1245	ECEA1VKA4R7B	4.7 35V [M]
C757	ECEA1CKA100B	10 16V [M]	C946	ECBT1H470J5	47P 50V [M]	C1073	ECUV1H101JCV	100P 50V [M]	C1246	ECEA1VKA4R7B	4.7 35V [M]
C758	ECEA1AKA101B	100 10V [M]	C947	ECBT1H470J5	47P 50V [M]	C1074	ECUVNC104ZFV	0.1 16V [M]	C1251	ECBT1E103ZF5	0.01 25V [M]
C771	ECEA1HKA4R7B	4.7 50V [M]	C955	ECBT1H101KB5	100P 50V [M]	C1075	ECUV1H102KBV	1000P 50V [M]	C1252	ECBT1E103ZF5	0.01 25V [M]
C772	ECEA1HKA4R7B	4.7 50V [M]	C962	ECBT1H561KB5	560P 50V [M]	C1076	ECUV1H102KBV	1000P 50V [M]	C1260	ECEA1CKA100B	10 16V [M]
C773	ECBT1H104ZF5	0.1 50V [M]	C963	ECBT1H102KB5	1000P 50V [M]	C1077	ECUV1H101JCV	100P 50V [M]	C1261	ECEA1CKA100B	10 16V [M]
C774	ECEA0JKA101B	100 6.3V [M]	C991	ECBT1H101KB5	100P 50V [M]	C1201	ECBT1H471KB5	470P 50V [M]	C1262	ECEA1CKA100B	10 16V [M]
C775	ECEA1CKA100B	10 16V [M]	C992	ECBT1H101KB5	100P 50V [M]	C1202	ECBT1H471KB5	470P 50V [M]	C1263	ECBT1H391KB5	390P 50V [M]
C776	ECEA1HKA010B	1 50V [M]	C993	ECBT1H101KB5	100P 50V [M]	C1203	ECEA1CKA330B	33 16V [M]	C1264	ECBT1H391KB5	390P 50V [M]
C777	ECA1CM221B	220 16V [M]	C994	ECBT1H101KB5	100P 50V [M]	C1204	ECEA1CKA330B	33 16V [M]	C1265	ECBT1H151KB5	150P 50V [M]
C778	ECEA1CKA101B	100 16V [M]	C995	ECBT1H101KB5	100P 50V [M]	C1205	ECBT1H121KB5	120P 50V [M]	C1266	ECBT1H151KB5	150P 50V [M]
C779	ECEA1CKA101B	100 16V [M]	C996	ECBT1H101KB5	100P 50V [M]	C1206	ECBT1H121KB5	120P 50V [M]	C1267	ECEA1CKN100B	10 16V [M]
C780	ECA1CM471B	470 16V [M]	C997	ECEA1CKA100B	10 16V [M]	C1207	ECQB1H222JM3	2200P 50V [M]	C1268	ECEA1CKN100B	10 16V [M]
C781	ECBT1E103ZF5	0.01 25V [M]	C998	ECBT1E103ZF5	0.01 25V [M]	C1208	ECQB1H222JM3	2200P 50V [M]	C1269	ECEA1CKN100B	10 16V [M]
C891	ECEA1CKA100B	10 16V [M]	C1027	ECEV0JA101P	100P 6.3V [M]	C1209	ECCR1H391J5	390P 50V [M]	C1270	ECEA1CKN100B	10 16V [M]
C894	ECBT1H101KB5	100P 50V [M]	C1028	ECUVNC104ZFV	0.1 16V [M]	C1210	ECCR1H391J5	390P 50V [M]	C1271	ECEA1CKA100B	10 16V [M]
C895	ECBT1H101KB5	100P 50V [M]	C1029	ECUV1E103KBV	0.01 25V [M]	C1211	ECBT1E103ZF5	0.01 25V [M]	C1272	ECBT1E103ZF5	0.01 25V [M]
C901	ECEA0JU102B 	1000 6.3V [M]	C1030	ECUV1H152KBV	1500P 50V [M]	C1212	ECBT1E103ZF5	0.01 25V [M]	C1273	ECEA1CKA100B	10 16V [M]
C902	ECBT1H104ZF5	0.1 50V [M]	C1031	ECEV0JA101P	100P 6.3V [M]	C1213	ECEA1CKA100B	10 16V [M]	C1274	ECEA1CKA100B	10 16V [M]
C903	ECBT1E103ZF5	0.01 25V [M]	C1032	ECUVNC104ZFV	0.1 16V [M]	C1214	ECEA1CKA100B	10 16V [M]	C1275	ECQB1H333JM3	0.033 50V [M]
C904	ECEA0JU102B 	1000 6.3V [M]	C1033	ECUV1H101JCV	100P 50V [M]	C1215	ECBT1H102KB5	1000P 50V [M]	C1281	ECEA1HKA3R3B	3.3 50V [M]
C905	ECBT1E103ZF5	0.01 25V [M]	C1035	ECUV1H101JCV	100P 50V [M]	C1216	ECEA1VKA4R7B	4.7 35V [M]	C1282	ECEA1HKA3R3B	3.3 50V [M]
C906	ECEA0JKA101B	100 6.3V [M]	C1036	ECUV1H102KBV	1000P 50V [M]	C1217	ECBT1E103ZF5	0.01 25V [M]	C1283	ECEA1HKA3R3B	3.3 50V [M]
C908	ECBT1E103ZF5	0.01 25V [M]	C1037	ECUV1H102KBV	1000P 50V [M]	C1218	ECEA1CKA100B	10 16V [M]	C1284	ECEA1HKA3R3B	3.3 50V [M]
C909	ECEA1VKA220B	22 35V [M]	C1038	ECUV1H102KBV	1000P 50V [M]	C1219	ECBT1E103ZF5	0.01 25V [M]	C1285	ECEA1CKA100B	10 16V [M]
C910	ECEA1VKA220B	22 35V [M]	C1041	ECUV1H102KBV	1000P 50V [M]	C1220	ECQV1H823JZ3	0.082 50V [M]	C1286	ECEA1CKA100B	10 16V [M]
C911	ECEA1VKA220B	22 35V [M]	C1042	ECUV1H102KBV	1000P 50V [M]	C1221	ECQV1H224JZ3	0.22 50V [M]	C1287	ECEA1CKA100B	10 16V [M]
C912	ECEA1VKA220B	22 35V [M]	C1051	ECEV0JA101P	100P 6.3V [M]	C1223	ECBT1H102KB5	1000P 50V [M]	C1288	ECBT1E103ZF5	0.01 25V [M]
C913	ECEA1VKA100B	10 35V [M]	C1052	ECEV0JA101P	100P 6.3V [M]	C1224	ECBT1H102KB5	1000P 50V [M]	C1289	ECBT1E103ZF5	0.01 25V [M]
C914	ECEA1VKA100B	10 35V [M]	C1053	ECEV0JA101P	100P 6.3V [M]	C1225	ECEA1VKA4R7B	4.7 35V [M]	C1290	ECBT1E103ZF5	0.01 25V [M]
C916	ECEA1HKA010B	1 50V [M]	C1054	ECUVNC104ZFV	0.1 16V [M]	C1226	ECEA1VKA4R7B	4.7 35V [M]	C1291	ECBT1H101KB5	100P 50V [M]
C917	ECEA0JKA101B	100 6.3V [M]	C1055	ECEV0JA101P	100P 6.3V [M]	C1227	ECBT1H391KB5	330P 50V [M]	C1292	ECBT1H101KB5	100P 50V [M]
C918	ECEA0JKA101B	100 6.3V [M]	C1056	ECUVNC104ZFV	0.1 16V [M]	C1228	ECBT1H331KB5	330P 50V [M]	C1293	ECBT1H101KB5	100P 50V [M]
C920	ECEA1HKA010B	1 50V [M]	C1057	ECEV0JA101P	100P 6.3V [M]	C1229	ECBT1H331KB5	330P 50V [M]	C1301	ECBT1H150J5	15P 50V [M]
C921	ECBT1H331KB5	330P 50V [M]	C1058	ECUVNC104ZFV	0.1 16V [M]	C1230	ECBT1H331KB5	330P 50V [M]	C1302	ECBT1E103ZF5	0.01 25V [M]
C922	ECBT1H331KB5	330P 50V [M]	C1059	ECEV0JA101P	100P 6.3V [M]	C1231	ECBT1E103ZF5	0.01 25V [M]	C1303	ECBT1E223ZF5	0.022 25V [M]
C923	ECBT1H331KB5	330P 50V [M]	C1060	ECUVNC104ZFV	0.1 16V [M]	C1232	ECBT1E103ZF5	0.01 25V [M]	C1304	ECBT1H150J5	15P 50V [M]
C924	ECBT1H331KB5	330P 50V [M]	C1061	ECUVNC224KBN	0.22 16V [M]	C1233	ECEA1CKA100B	10 16V [M]	C1305	ECBT1E103ZF5	0.01 25V [M]
C925	ECBT1H331KB5	330P 50V [M]	C1062	ECUVNC104ZFV	0.1 16V [M]	C1234	ECEA1CKA100B	10 16V [M]	C1306	ECBT1E223ZF5	0.022 25V [M]
C926	ECBT1H331KB5	330P 50V [M]	C1063	ECUVNC104ZFV	0.1 16V [M]	C1235	ECBT1H102KB5	1000P 50V [M]	C1307	ECBT1E103ZF5	0.01 25V [M]
C927	ECBT1H331KB5	330P 50V [M]	C1064	ECUVNC104ZFV	0.1 16V [M]	C1237	ECEA1VKA4R7B	4.7 35V [M]	C1308	ECBT1H104ZF5	0.1 50V [M]
C928	ECBT1H331KB5	330P 50V [M]	C1065	ECUVNC104ZFV	0.1 16V [M]	C1238	ECEA1VKA4R7B	4.7 35V [M]	C1309	ECBT1H104ZF5	0.1 50V [M]
C929	ECBT1H331KB5	330P 50V [M]	C1066	ECUVNC104ZFV	0.1 16V [M]	C1239	ECBT1H331KB5	330P 50V [M]	C1310	ECBT1H104ZF5	0.1 50V [M]
C930	ECBT1H331KB5	330P 50V [M]	C1067	ECUVNC104ZFV	0.1 16V [M]	C1240	ECQB1H223JM3	0.022 50V [M]	C1313	ECA1EPXS470B	47 25V [M]
C932	ECBT1H101KB5	100P 50V [M]	C1068	ECUVNC104ZFV	0.1 16V [M]	C1241	ECBT1H331KB5	330P 50V [M]	C1314	ECBT1H101KB5	100P 50V [M]
C933	ECBT1H101KB5	100P 50V [M]	C1069	ECUV1H102KBV	1000P 50V [M]	C1242	ECEA1VKA4R7B	4.7 35V [M]	C1315	ECBT1H101KB5	100P 50V [M]

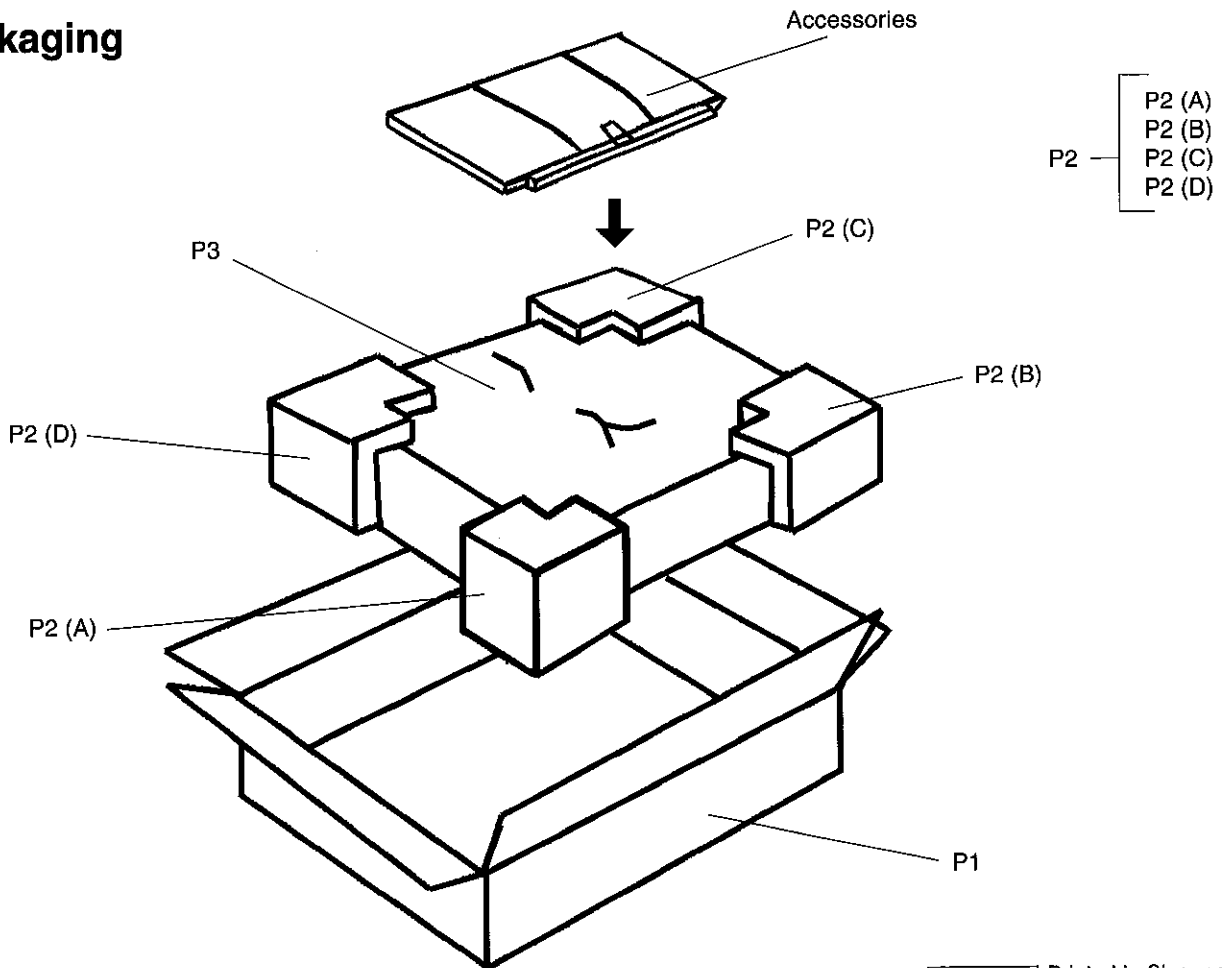
■ Packing Materials & Accessories

- Notes :**
- * Important safety notice : Components identified by \triangle mark have special characteristics important for safety. Furthermore, special parts which have purposes of fire-retardant (resistors), high-quality sound (capacitors), low-noise (resistors), etc. are used. When replacing any of components, be sure to use only manufacturer's specified parts shown in the parts list.
 - * The parenthesized in the Remarks columns specify the areas. (Refer to the cover page for area.)
 - * Parts without these indication can be used for all areas.
 - * The "(SF)" mark denotes standard part.
 - * [M] in Remarks column indicates parts supplied by MESA.
 - * Remote Control Unit : Supply period for three years from termination of production.
 - * Reference for O/I book languages are as follows :

Ar : Arabic	Cf : Canadian French	Co : Chinese (old)	Cn : Chinese (new)	Cz : Czech	Da : Danish
Du : Dutch	En : English	Fr : French	Ge : German	It : Italian	Ko : Korean
Po : Polish	Ru : Russian	Sp : Spanish	Sw : Swedish		

Ref No.	Part No.	Part Name & Description	Remarks	Ref No.	Part No.	Part Name & Description	Remarks	Ref No.	Part No.	Part Name & Description	Remarks
		PACKING MATERIALS		A1-1	UR84EC1987B	R/C BATTERY COVER	[M]	A3	RQT5016-R	O/I BOOK (Ru/Cz/Po)	[M]E
				A2	RJA0019-2K	AC CORD (SF) \triangle	[M]EG E	A3	RQT5017-D	O/I BOOK (Ge/It/Fr)	[M]EG
P1	RPG4442	PACKING CASE	[M]	A2	VJA0733	AC CORD (SF) \triangle	[M]EB	A3	RQT5018-H	O/I BOOK (Du/Da)	[M]EG
P2	RPN0986-2	POLYFOAM	[M]	A3	RQT4904-E	O/I BOOK R/C (En/Sp/Sw)	[M]E	A3	RQT5019-B	O/I BOOK (En)	[M]EB
P3	RPF0005	MIRAMAT BAG	[M]	A3	RQT4905-R	O/I BOOK R/C (Ru/Cz/Po)	[M]E	A4	RSA0007	FM ANTENNA	[M]
				A3	RQT4906-D	O/I BOOK R/C (Ge/It/Fr)	[M]EG	A5	RSA0010	LOOP ANT UNIT	[M]
		ACCESSORIES		A3	RQT4907-H	O/I BOOK R/C (Du/Da)	[M]EG	A6	SJP9009	ANT ADAPTER	[M]EB
				A3	RQT4908-B	O/I BOOK R/C (En)	[M]EB				
A1	EUR646497	REMOTE CONTROL	[M]	A3	RQT5015-E	O/I BOOK (En/Sp/Sw)	[M]E				

■ Packaging



MESA Printed in Singapore
G990506000P/K/M/J/S/H



KQE0

Door No.
3

Drop No.
0

Customer: TECHNICA42

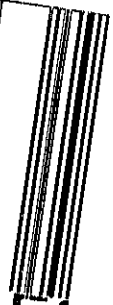
Load: SPOWE1

Model: MD9905089C2

Qty: 1

Assemble at: 60

05/07/00



51